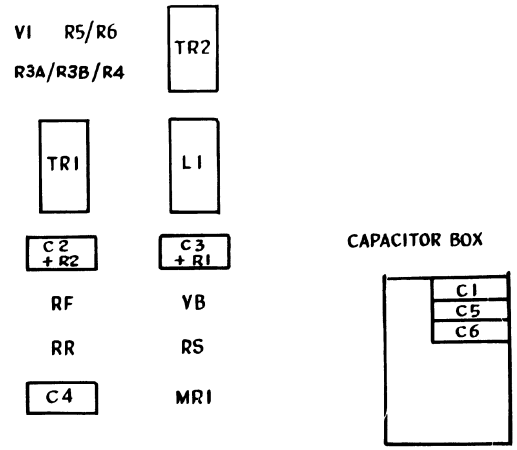


RELAY CODES & COMPONENTS LIST **GBW 13250**
 20, 35 & 49 LINE PABX
 RINGING & TONES CIRCUIT

RELAY	BCC CODE	DIAG FIG	NOTES	COMPT DESIGN	BPO CODE	NOTES
RF	5246			TR1	3/199 A	
				TR2	-	ET CODE N22199
RR	4267			LI	3/111A	
RS	4420P			R1, R2	6	
VB	60115P		CI	R3A, R3B	9	
				R4	9	
				R5	12	
				R6	12	
				CI	103C	
				C2, C3, C4	102C	
				C5	100	
				C6	106	
				MRI	4/6AZ	
				TJ	1A	
				VI	-	CV1959 *

NOTES A SPECIAL FACTORS OF SAFETY B SPECIAL ADJUSTMENTS C CCT POINTS OR MODIFICATIONS
 CI SPG 23 UNWIRED LAYOUT

* COMMERCIAL EQUIVALENT AVAILABLE FROM - PINNACLE ELECTRONICS LTD, ACHILLES STREET, LONDON SE 14 AS THEIR P602



NZPO
 (16025) 21.7.70
 ISSUE 18 3 70

DD39A

ORIGINATED BY	ET
DATE	18-3-70
SIGNED FOR COMMITTEE	

0
5
CENTIMETERS
0
15
20
25
30