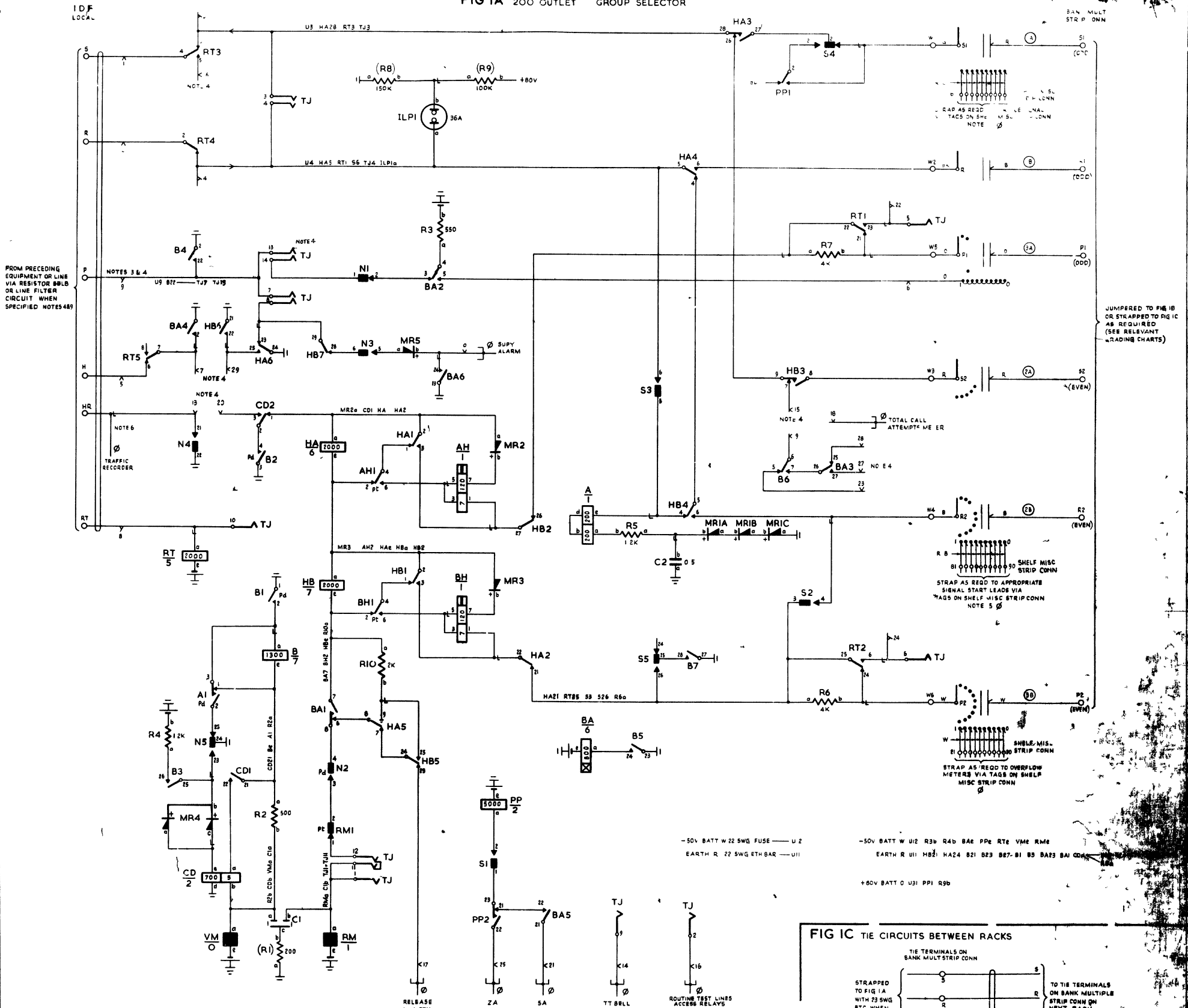


FIG 1A 200 OUTLET GROUP SELECTOR



NOTES

- 1 FUSING
50V 1.5A PER CIRCUIT
+80V 1A PER 20 CIRCUITS AND 1 RES STOR
-80V BULB N 11 100 OHMS PER 2 CIRCUITS
- 2 INDICATES DIRECTION OF TRANSMISSION
- 3 SHELF JACK POINTS 9 & 11 MAKE CONTACT WHEN SELECTOR IS REMOVED
- 4 FOR A SELECTOR ASSOCIATED WITH
(a) A TIME ZONE METERING EQUIPMENT STRAP JACK POINTS 15 27 7 29
18 28 & 31 AND CONNECT TJ13 TJ14 BY LINK N RED
(b) A TRUNK RELAY SET STRAP JACK POINTS 7 9 29 15 19 28-27 31 28 32 & 19 20
(c) A UNIDIRECTIONAL 1/C TRUNK CIRCUIT STRAP JACK POINTS 9 29
13-20 15 19 23 27 26 32 27 31 & 28 32 SEE NOTE 4 (h)
(d) A ROUTING TRANSFORMER STRAP JACK POINTS 13 20 16 31 AND 7 29 AND
CONNECT TJ15 TJ14 BY A LINK N RED
(e) A STATION LINE CIRCUIT MULTIPLE STRAP JACK POINTS 13 24 7-9 29 15 19 23 27 31 20
27 31 28 32 AND CONNECT TJ15 TJ14 BY A LINK N RED SEE NOTE 4 (h)
(f) A GROUP SELECTOR MULTIPLE STRAP JACK POINTS 13 24 7-9 29 15-20 19-31 AND
CONNECT TJ15 TJ14 BY A LINK N RED SEE NOTE 4 (h)
(g) A UNIDIRECTIONAL 1/C STATION LINE STRAP JACK POINTS 15-9
19-29 27 28 31 & 28 32 SEE NOTE 4 (h)
- 5 CONNECT SERVICE SIGNAL LEAD TO S1 LEVEL AS FOLLOWS
NC OR OCC SIGNAL ON WORKING LEVELS AS SPECIFIED
NP SIGNAL ON SPARE LEVELS
AND APPROPRIATE SIGNAL START LEAD TO R2 LEVEL
- 6 FOR A GROUP SELECTOR NOT ASSOCIATED WITH A TIME ZONE METERING
EQUIPMENT JACK POINT 13 PROVIDES A TRAFFIC RECORDER ACCESS POINT
- 7 WIRING NOT OTHERWISE SPECIFIED TO BE 22 SWG
- 8 Ø FOR WIRING SEE GBW17320 OR EQUIV
- 9 CABLE TO THE IDF ONLY THOSE CONNECTIONS WHICH ARE TO BE EXTENDED
TO THE PRECEDING EQUIPMENT IN SOME EXCHANGES THE CABLEING IS
DIRECT AND NOT VIA THE IDF
- 10 (CONT'D)
(k) A/B/W CONNECTING CIRCUIT AND TEST DESK STRAP JACK POINTS 13, 24 7 9 29
15 19 23 27 31 & 28 32
(h) A DEMETERING CIRCUIT CONNECT AS DETAILED IN THE APPROPRIATE NOTE 4
(c) (d), (f), OR (g) ABOVE EXCEPT THAT JACK POINTS 13-20 SHOULD NOT BE STRAPPED
(i) ACCESS RELAY SET OR A THROUGH TRANSFORMER SET STRAP JACK
POINTS 13-20 15-24 & 7-29 SHIP CONNECT TO TJ14 BY A LINK N RED
(j) A SUPERVISORY'S METERING EQUIPMENT STRAP JACK POINTS 13-20 15-24 & 7-29
SHIP CONNECT TO TJ14 BY A LINK N RED

FIG 1C TIE CIRCUITS BETWEEN RACKS

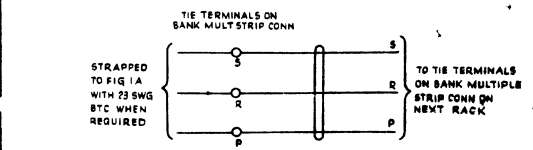
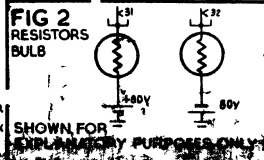
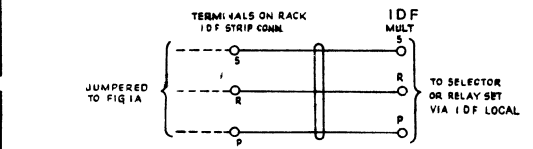


FIG 1B OUTGOING CIRCUITS TO IDF



NOTE	DATE	BY	CHKD	APPD
NOTE 4 (h) ADDED	(86575)	5	B	IC 67 A M
NOTE 4 (c) AMENDED		4	B	IC 67 A M
PAR 1 PAR 2 PAR 3 & NOTE 4 AMENDED, U25 ADDED		8	B	IC 67 A M
NOTE 4 (f) AMENDED		2	B	IC 67 A M
AMENDMENT PARTICULARS	ISSUE DATE	APPD		

AUTOMATIC TELEX SYSTEM
200 OUTLET GROUP SELECTOR
GBW 17010