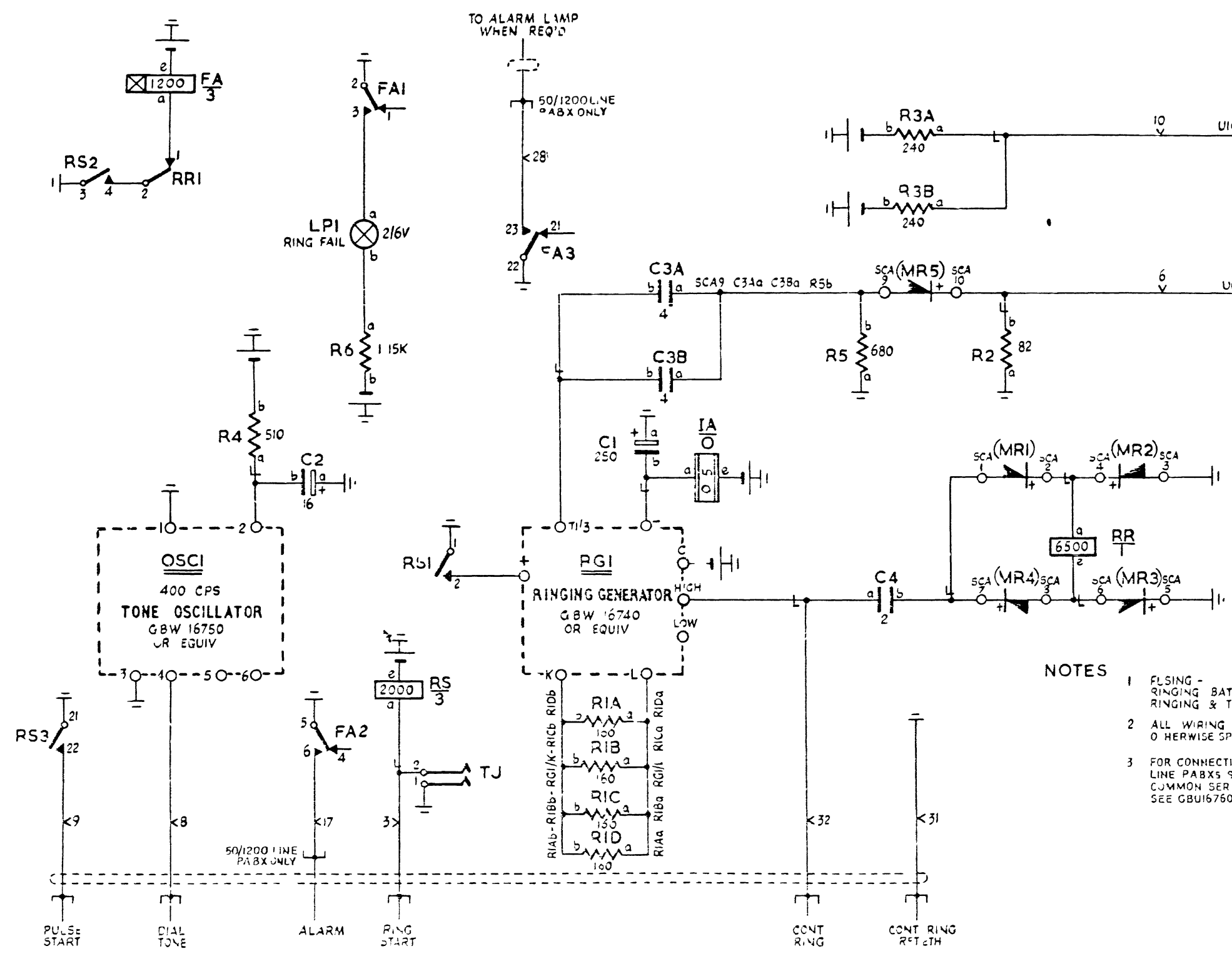


0
5 Centimetres
10
15
20
25
30

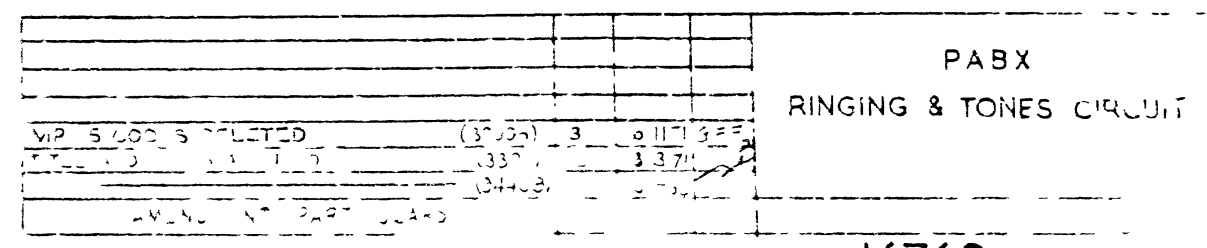
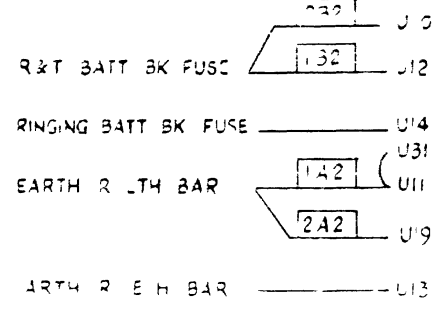


FROM PULSE CIRCUIT
GBW 14711 OR GBW 14141
OR EQUIVS

- NOTES
1. RINGING - RINGING BATTERY (U14) 1.5A RINGING & TONES (U12) 1.5A
 2. ALL WIRING TO RE 25 SWG UNLESS OTHERWISE SPEC'D
 3. FOR CONNECTIONS OF THESE LEADS ON 20 35 & 40 LINE PABX'S SEE GBW 16760 AND RELEVANT RACK COMMON SERVICES DIAGRAM FOR 50/1200 LINE PABX'S SEE GBW 16760 AND ASSOCIATED DIAGRAMS

BATT W U12 R5e 1Ae 1Ae R6b
BATT W U14 R3A R3B R3C R3D
BATT W U20 R4b

EARTH R U11 R2a SCA3 SCA5 C1a RS21 RS3 FA22 FA2 FA5 R5a TJ
EARTH R U19 OSC/1 C2a
EARTH R U13 OSC/3 -S1



NZPO

GBW 16760