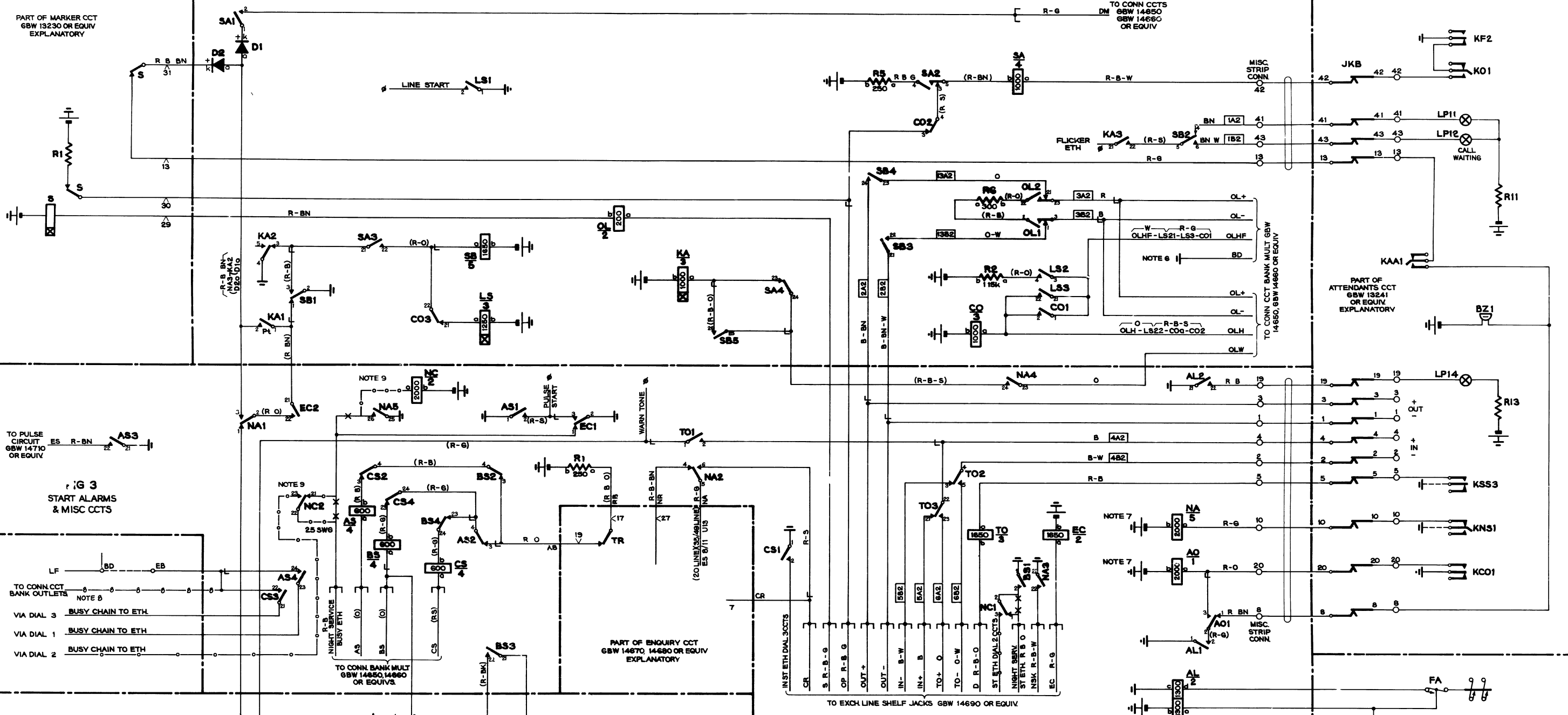


FIG. 1 ATTENDANTS LINE CIRCUIT

PART OF MARKER CCT
GBW 13230 OR EQUIV
EXPLANATORY

BATT
ETH } SEE FIG. 3



TO PULSE
CIRCUIT
GBW 14710
OR EQUIV

FIG. 3
START ALARMS
& MISC CCTS

TO CONN CCT
BANK OUTLETS
NOTE 8

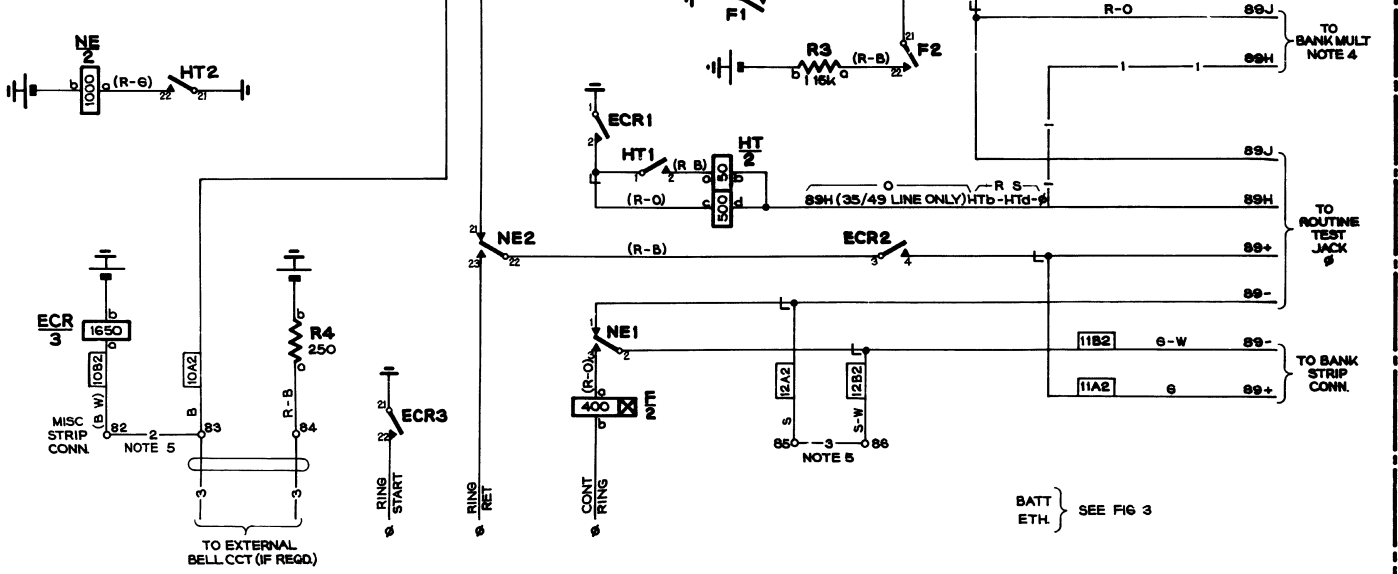
VIA DIAL 3
BUSY CHAIN TO ETH

VIA DIAL 1
BUSY CHAIN TO ETH

VIA DIAL 2
BUSY CHAIN TO ETH

TO EXTERNAL
BELL CCT (IF REQD)

FIG. 2
NIGHT SERVICE EXTENSION CIRCUIT



NOTES

- 1 FUSING FIG. 1 15A.
R4b OF FIG. 2 - 15A.
FIG. 2 & FIG. 3 & EC OF FIG. 3 LESS R4b OF FIG. 2 15A
FIG. 3 LESS R1, EC, AO & NA-1 5A
- 2 FOR WIRING OF LEADS MARKED # SEE ASSOCIATED
COMMON SERVICE DIAGRAM.
- 3 ALL WIRING TO BE 25 SWG UNLESS OTHERWISE
SPECIFIED.
- 4 FOR SEQUENCE OF MULTIPLES SEE EXTN LINE CCT
GBW 13210 OR EQUIV
- 5 WHEN NIGHT SERVICE EXTENSION IS REQUIRED ADD
STRAP—2— WHEN DIAL 2 NIGHT SERVICE IS
REQUIRED ADD CONNS. SHOWN—3—
- 6 FOR EARTH RUN SEE GBW 14650, 14660 OR EQUIV
- 7 FUSED WITH ATTENDANTS CIRCUITS GBW 132-1
OR EQUIV.
- 8 WHEN ACCESS TO DIAL 3 ROUTE BY BARRED EXTN'S
IS REQUIRED, PROVIDE CONNS SHOWN—8— & OMIT
STRAP BETWEEN AS24 & CS22
- 9 WHEN DIAL 2 ACCESS IS REQD. (DURING OPERATOR
ATTENDED HOURS ONLY) EQUIP RELAY NC & USE
CONNS. SHOWN—9— OMIT CONNS. SHOWN—X—
(NOTE THAT EXTN'S CANNOT BE BARRED ACCESS TO
DIAL 2 ROUTES)
- 10 ON SOME EARLY EQUIP BATTERY WIRING COLOUR IS BK

- BATT V FUSE R4b
- BATT V FUSE 7B2 LSb-COb-SBb-KAb-R5b-R2b
- ETH R.ETH.BAR 7A2 LS1-SA1 KA4
- BATT V FUSE 8B2 Ec-b-ECRb-NEb-R1b-R3b
- ETH R.ETH.BAR 8A2 ECR21-ECR1-F1-HT21
- BATT V FUSE 9B2 ALb
- ETH R.ETH.BAR 9A2 AL21 ALc AL1-EC21-EC2-NA21-
NA25 AS21 AS1-BS1-CS1