

FIG 1 ATTENDANTS LINE CCTS

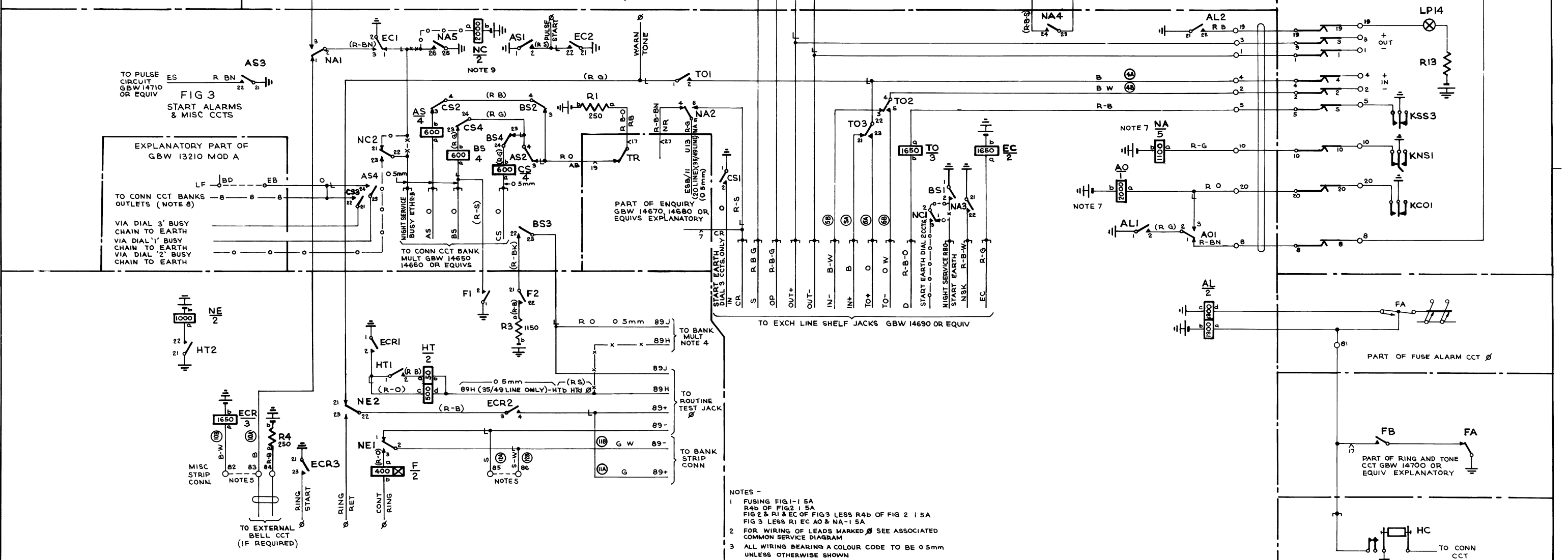


FIG 2 NIGHT SERVICE EXTENSION CCT (EXTN 89)

NOTES -

- FUSING FIG 1-1 5A R4b OF FIG 2, 1 5A FIG 2 & R1 & EC OF FIG 3 LESS R4b OF FIG 2 1 5A FIG 3 LESS R1 EC AO & NA-1 5A
- FOR WIRING OF LEADS MARKED \emptyset SEE ASSOCIATED COMMON SERVICE DIAGRAM
- ALL WIRING BEARING A COLOUR CODE TO BE 0.5mm UNLESS OTHERWISE SHOWN WHEN SWITCHPLATE WIRING IS USED COLOURS IN BRACKETS MAY BE DISREGARDED
- FOR SEQUENCE OF MULTIPLES SEE EXTENSION LINE CCT GBW 13210 OR EQUIV
- WHEN NIGHT SERVICE EXTENSION IS REQUIRED STRAP TAGS 82 & 83 WHEN DIAL 2 NIGHT SERVICE IS REQD STRAP TAGS 85 & 86 & CONNECT EXTERNAL TO TAGS 83 & 84
- FOR EARTH RUN SEE GBW 14650, 14660 OR EQUIV
- FUSED WITH ATTENDANTS CIRCUITS GBW 13241 OR EQUIV
- WHEN ACCESS TO DIAL 3 ROUTE BY BARRED EXTENSIONS IS REQUIRED PROVIDE CONNS SHOWN -8-8- AND OMIT STRAP BETWEEN AS24 AND CS22
- WHEN DIAL 2 ACCESS ROUTE REQUIRED (DURING OPERATOR ATTENDED HOURS ONLY) EQUIP RELAY NC & USE CONNS SHOWN -0-0- OMIT CONN SHOWN -x-x- (NOTE THAT EXTENSIONS CANNOT BE BARRED ACCESS TO DIAL '2' ROUTE)

BATT BK FUSE — R4b
BATT BK FUSE $\text{\textcircled{78}}$ LSb COB-SBb KAb R2b
ETH R ETH BAR $\text{\textcircled{7A}}$ LS1-SA1-KA4
BATT BK FUSE $\text{\textcircled{80}}$ ECb ECRb NEb R1b R3b
ETH R ETH BAR $\text{\textcircled{8A}}$ ECR2 ECR1 FI HT2
BATT BK FUSE $\text{\textcircled{8B}}$ ALb
ETH R ETH BAR $\text{\textcircled{8A}}$ AL21 ALC AL1-EC21 EC2 NA21 NA25 AS21-AS1 BS1-CS4

LEGEND: $\text{\textcircled{□}}$ SLOW RELEASE, $\text{\textcircled{X}}$ SLOW OPERATE

ATTENDANTS LINE NIGHT SERVICE START ALARMS AND MISC CCTS. 20, 35 & 49 LINE P A B X HAVING OUT SERVICE ON THREE ROUTES (DIAL 12&3) AND AUXILIARY SERVICES

GBW 14720 MOD A

RETRACED FROM ISS E 23 10 75 METRICATED 15762	F	20 2 75 W/JH
AMENDMENT PARTICULARS	ORDER ISS	DATE APPD
NZ PO	DRAWN ASL	CHKD WIRING