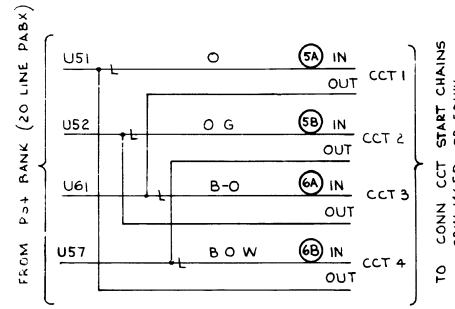
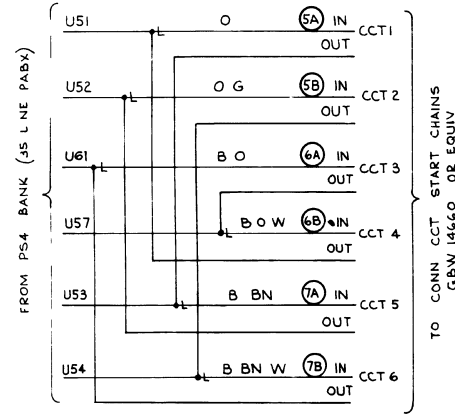


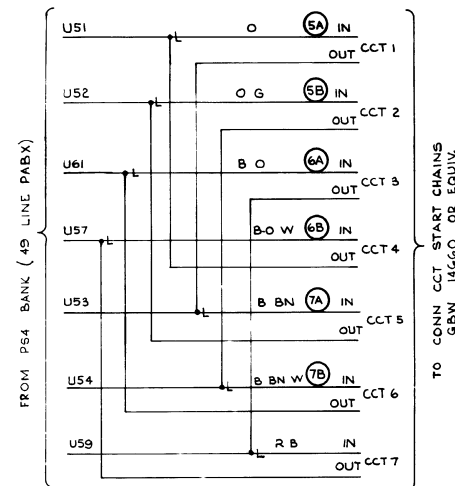
FIG 1B CONN CCT START CHAIN



STRAP U51 U53, U52 U54, U55-U57 & U59 U61

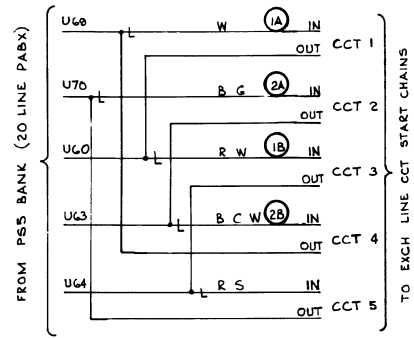


STRAP U53 55 & U57-59

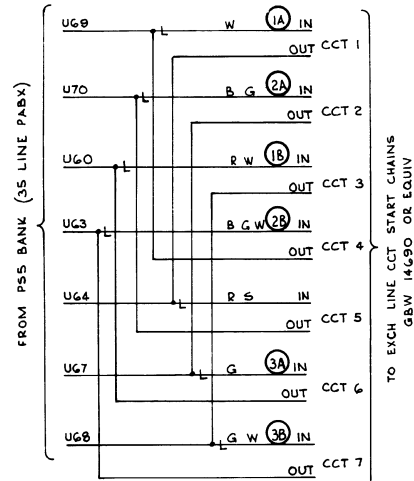


STRAP U53-55

FIG 1C EXCH LINE CCT START CHAIN



STRAP U60-U62, U63 U65 U64 U66 U67 U69 U68 70



STRAP U62 64 U65 67 & U66 68

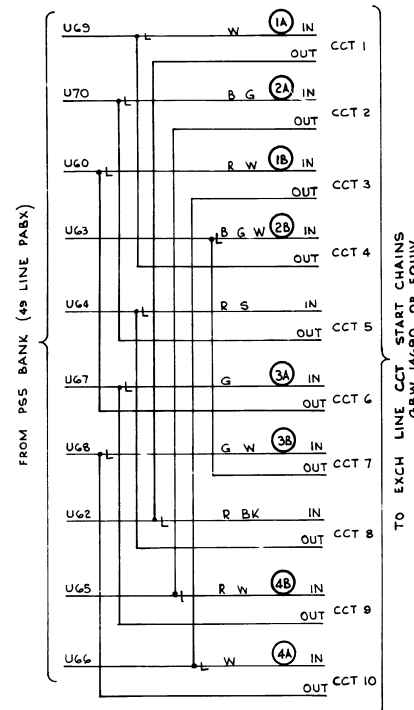
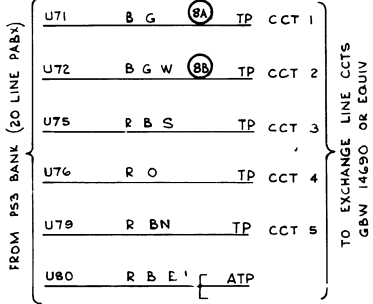
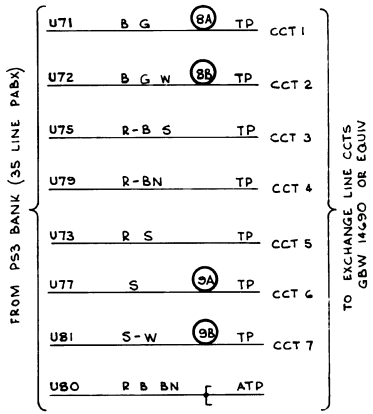


FIG 1D TEST PULSES



STRAP U71-73, U72 74, U75 77 U76 78, U79 81



STRAP U74 76 78-80

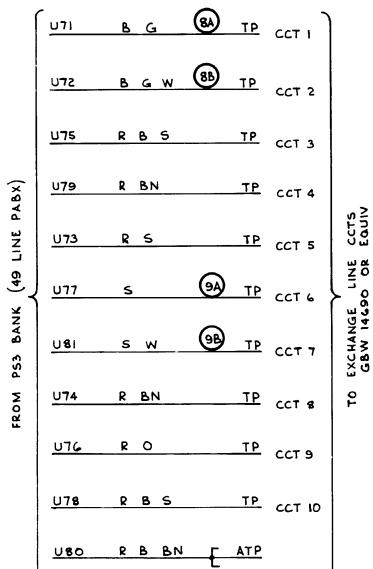
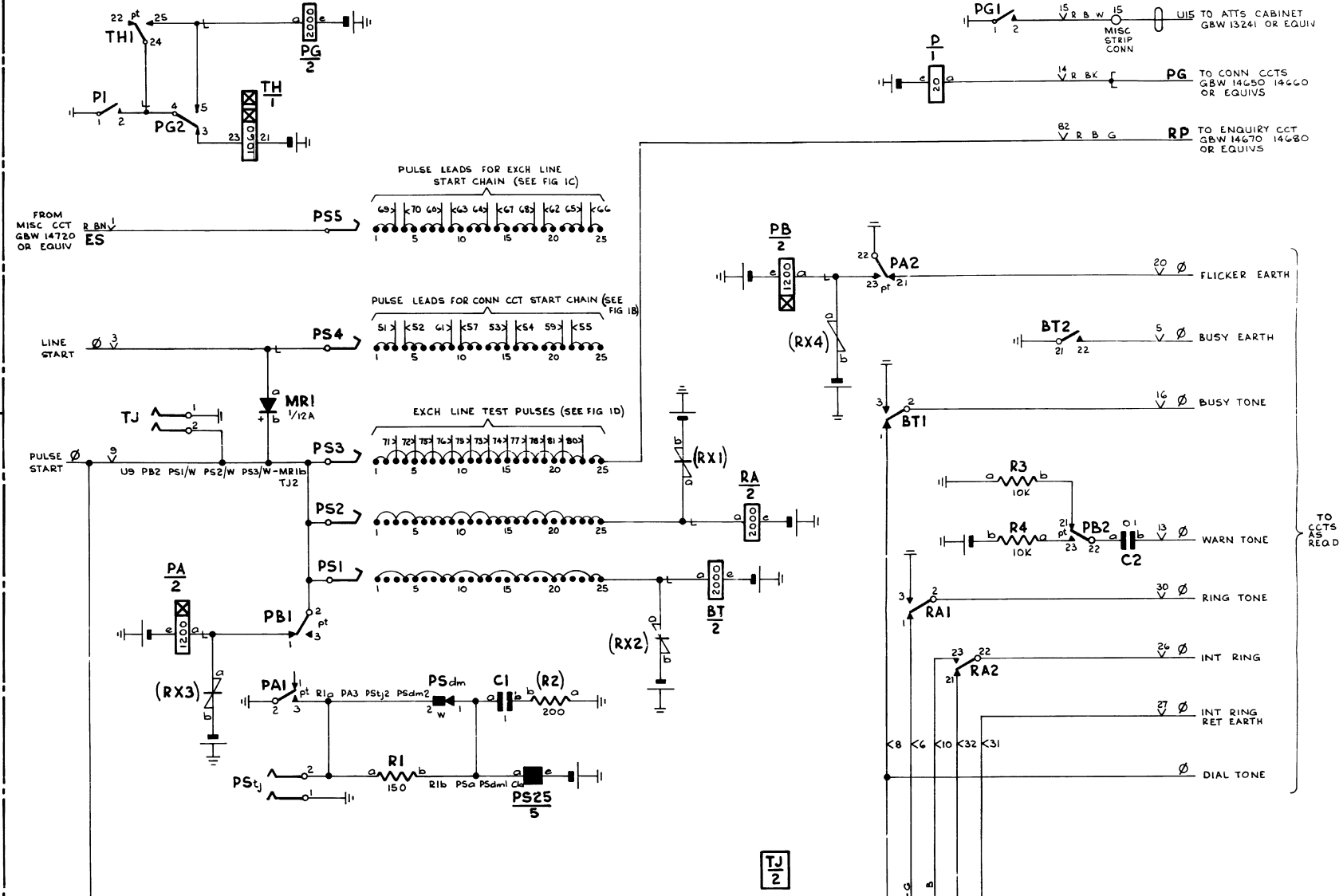


FIG 1A PULSE CCT



- NOTES
- FUSE 15A
 - FOR WIRING OF LEADS MARKED Ø SEE ASSOCIATED RACK COMMON SERVICES GBW 13280 OR GBW 13300 OR EQUIVS
 - ALL WIRING TO BE 0.5 mm

- BATT BK FUSE U12
- BATT W U12 R4b Pe TH21 PGe
- RX3b RX4b RX2b
- PAe PBe PSe BTe RAE RX1b
- EARTH R ETH BAR U11
- EARTH R U11 R3a P1 PGI PA22 PA2 PSt.1
- BT21 BT3 RA3 R2a TJ1

EXPLANATORY ONLY RING & TONES CCT GBW 14700 OR EQUIV

SUPERSEDES GBW 14710

PULSE CIRCUIT			
20 35 & 49 LINE P A B X			
RETRACTED FROM ISSUE 1 (157619)	IA	273.78	W J H
(77678)	I	26.58	A C
AMENDMENT PARTICULARS	155	DATE	APP
NZPO	DRN	CHK	WRG CCT
GBW 14711			