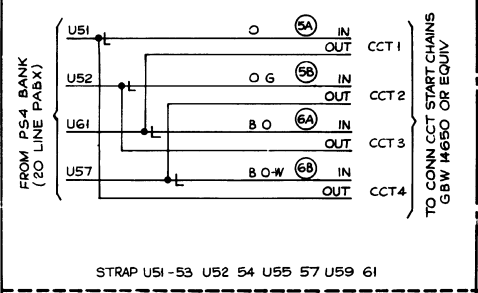


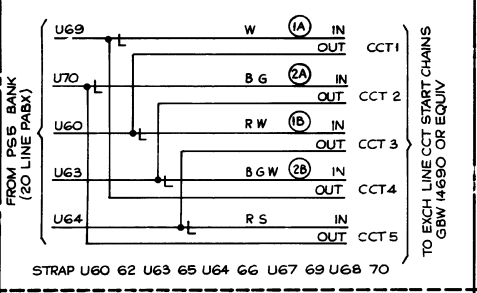
5 Centimetres  
10  
15  
20  
25  
30

**FIG 1B CONN CCT START CHAIN**



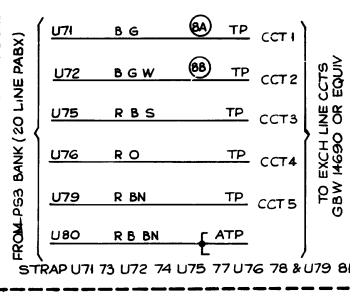
STRAP U51-53 U52 54 U55 57 U59 61

**FIG 1C EXCH LINE CCT START CHAIN**

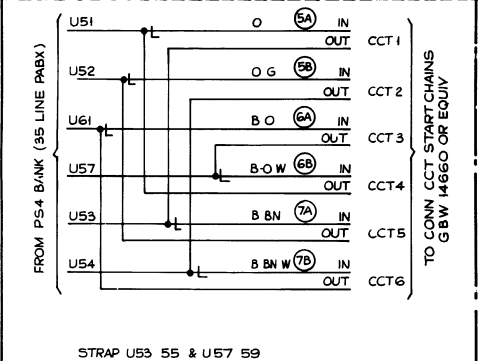


STRAP U60 62 U63 65 U64 66 U67 69 U68 70

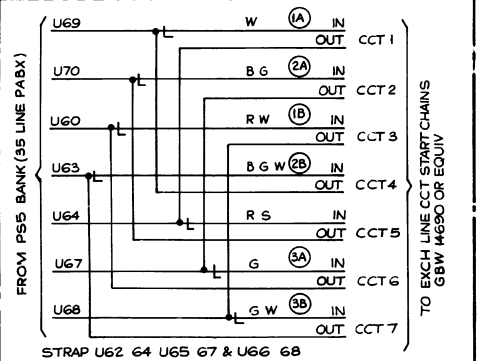
**FIG 1D TEST PULSES**



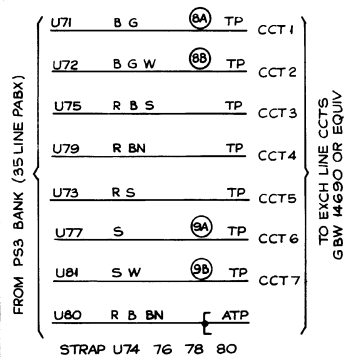
STRAP U71 73 U72 74 U75 77 U76 78 & U79 81



STRAP U53 55 & U57 59



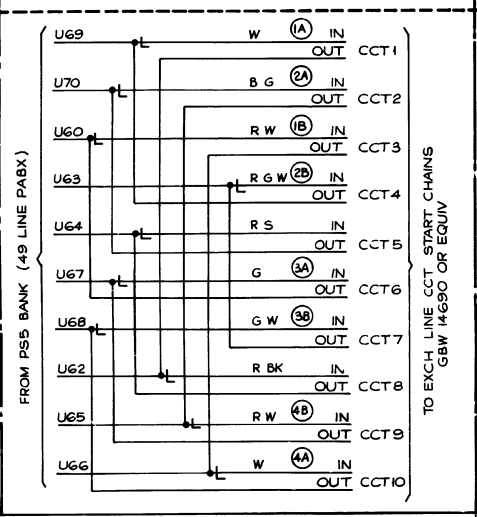
STRAP U62 64 U65 67 & U66 68



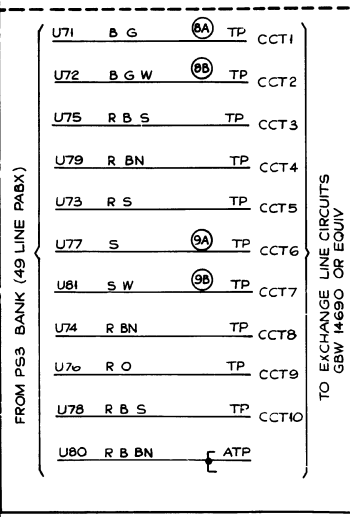
STRAP U74 76 78 80



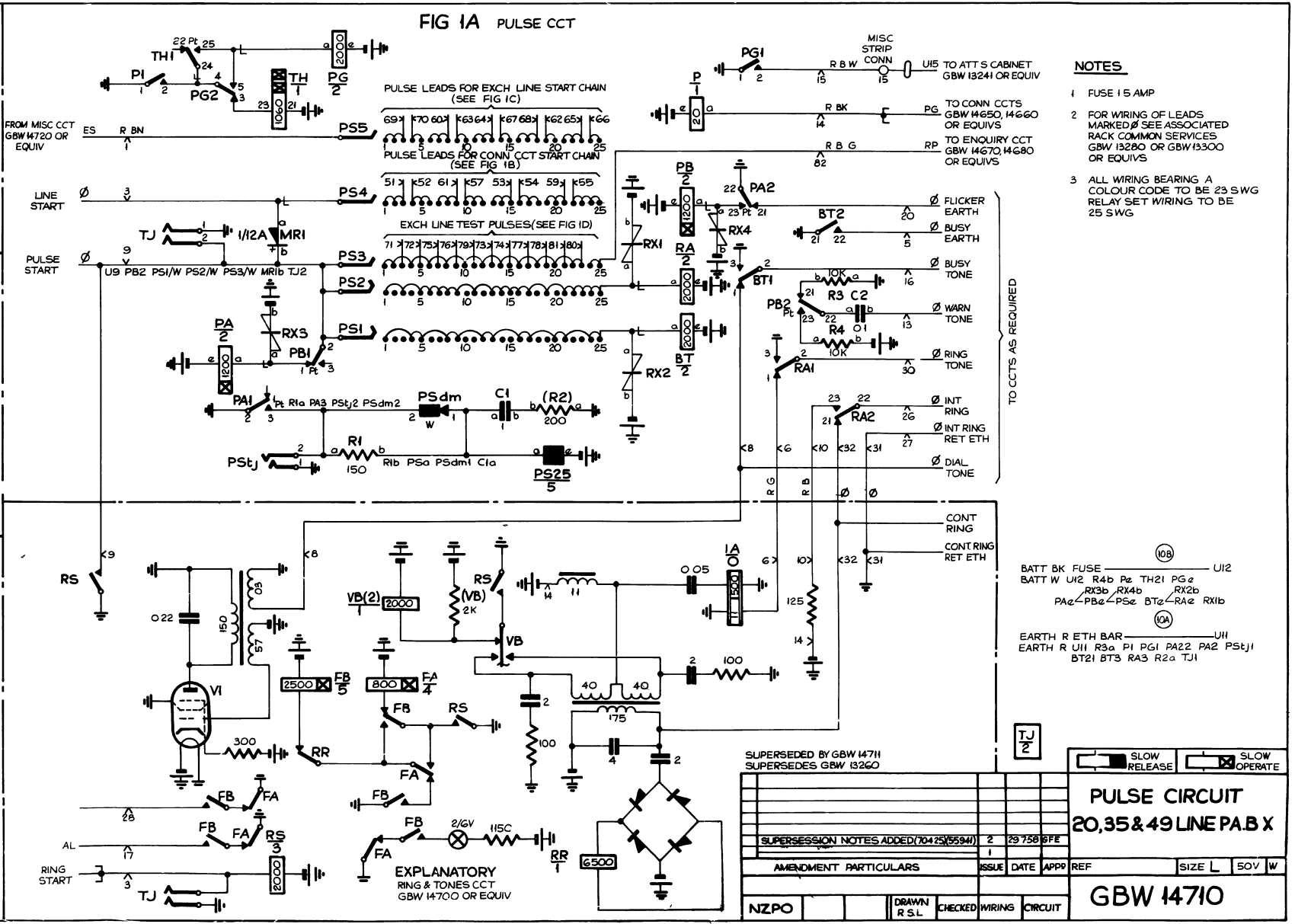
STRAP U53 55



STRAP U62 64 U65 67 & U66 68



STRAP U74 76 78 80



- NOTES**
- FUSE 1.5 AMP
  - FOR WIRING OF LEADS MARKED Ø SEE ASSOCIATED RACK COMMON SERVICES GBW 13280 OR GBW 13300 OR EQUIV
  - ALL WIRING BEARING A COLOUR CODE TO BE 23 SWG RELAY SET WIRING TO BE 25 SWG

BATT BK FUSE (10B) UI2  
 BATT W UI2 R4b Pz TH21 PG2  
 RX3b RX4b RX2b  
 PA2-PB2-P5e BT2-RA2 RX1b  
 EARTH R ETH BAR (10A) UIH  
 EARTH R UI1 R3a PI PGI PA22 PA2 PStj1  
 BT21 BT3 RA3 R2a TJ1

SUPERSEDED BY GBW 14711  
 SUPERSEDES GBW 13260

SLOW RELEASE		SLOW OPERATE	
<b>PULSE CIRCUIT</b>			
<b>20,35 &amp; 49 LINE PABX</b>			
SUPERSESSON NOTES ADDED (70425/55941) 2 29 758 8FE			
AMENDMENT	PARTICULARS	ISSUE DATE	APPD REF
NZPO		DRAWN R.S.L.	CHECKED WIRING CIRCUIT
<b>GBW 14710</b>			