

5 Centimetres

10

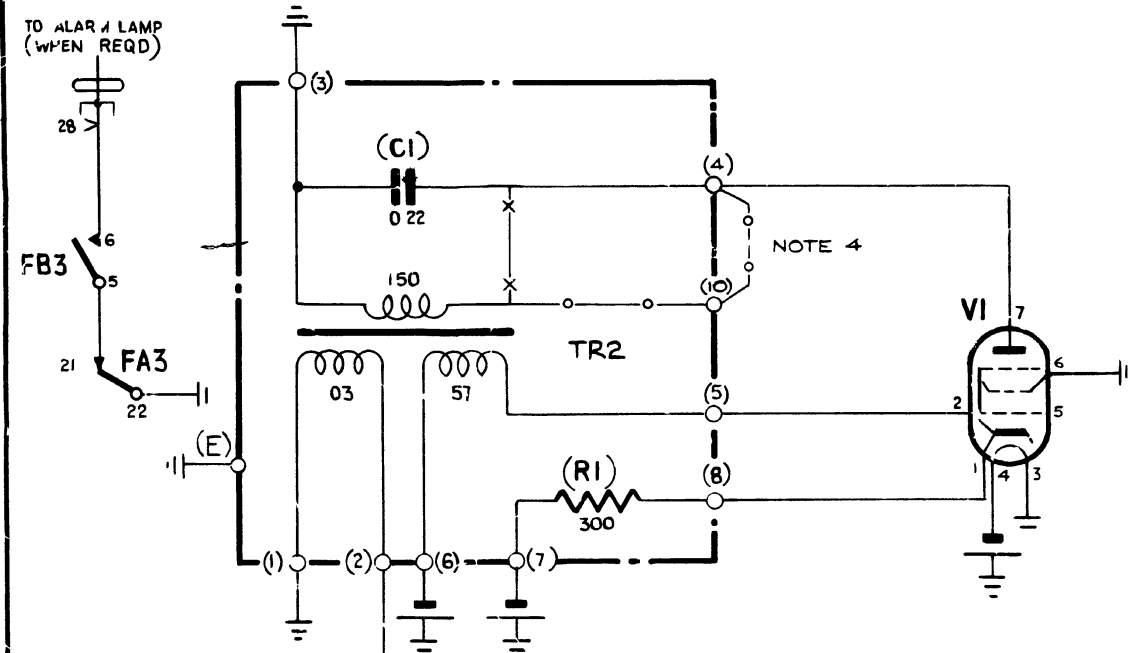
15

20

25

30

3

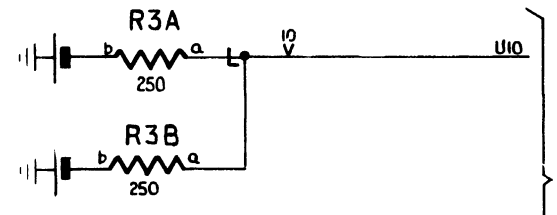


NZ NOTES

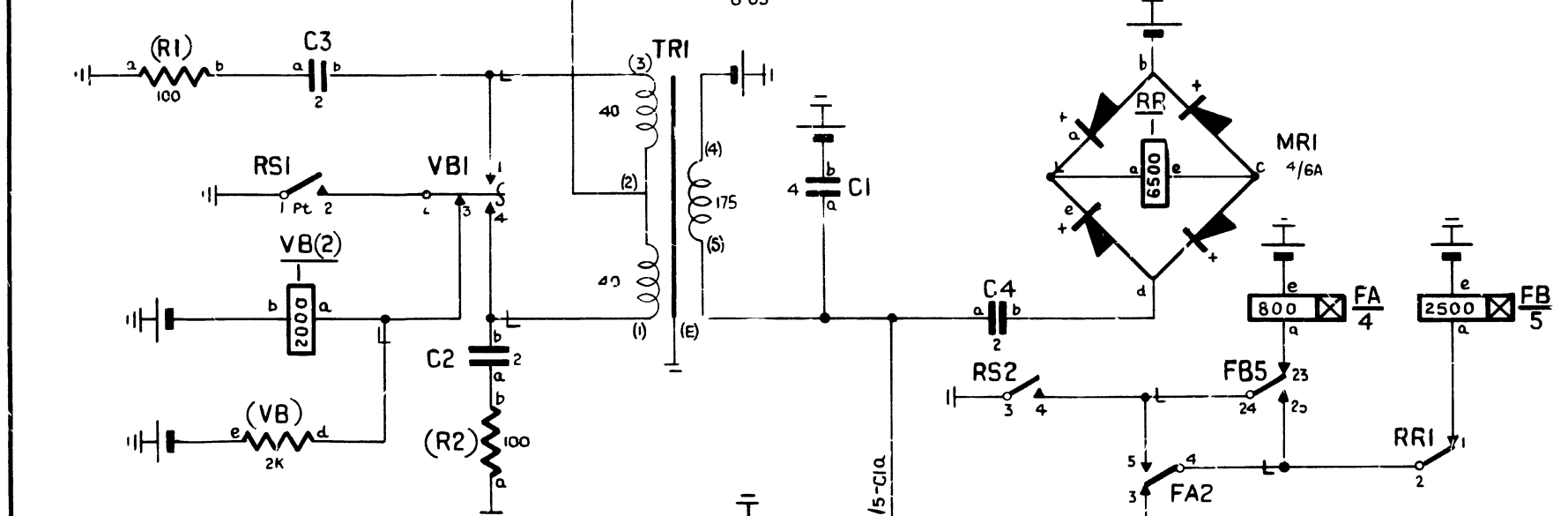
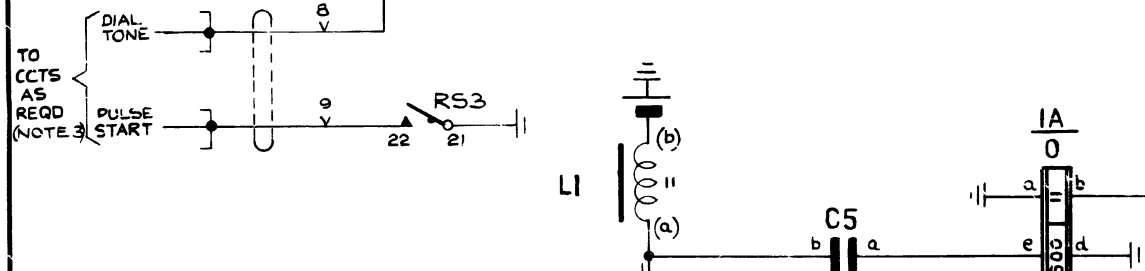
A GBW 16761 MAY BE USED AS AN ALTERNATIVE, SEE GBW 14700

NOTES

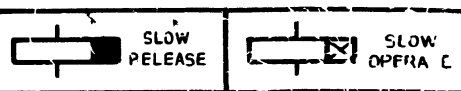
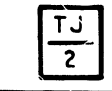
- 1 FUSING - RINGING BATTERY 1 5A (U14) RINGING & TONES CCT 1 5A (U12)
- 2 SWITCHPLATE WIRING TO BE 25 SWG OTHER WIRING TO BE - 23 SWG ON 20 35 OR 49 LINE P A B X 's 20 SWG ON 50/1200 LINE P A B X 's
- 3 FOR ROUTING OF THESE LEADS ON 20 35 OR 49 LINE P A B X 's SEE RELEVANT COMMON SERVICES DIAGRAM
- 4 ON SOME TR2 TRANSFORMERS THE CONNECTION BETWEEN (C) AND 150 OHM WINDING IS INTERNAL THIS -X-X- ON OTHERS THE LEAD FROM 150 OHM WINDING IS CONNECTED TO TERMINAL 10 AND IS STRAPPED TO TERMINAL 4 EXTERNALLY THIS -o-o-



FROM PULSE CIRCUIT GBW 14140 OR GBW 14710 OR EQUIVS



- RINGING BATT BK FUSE-U14
- RING & TONES BATT BK FUSE (18) U12
- EARTH R ETH BAR (1A) U11
- BATT W U12-V1/4 R4b-TR2/6-TR2/7-FAE-FB2-RS2-U12
- BATT W U14-R3Ab-P3Bb-MR1b-VBb-VB2-L1/0-TRI/4-C1b-U14
- EARTH R U11-V1/3 V1/6-TR2/1-TR2/3-TR2/5-FA2-FA24-FA2-FB1-RS21-RS1-RS3-IAQ-IAc-TRI/E R2Q-RIQ-TJ1-U3'-U11



SUPERSESSION NOTE AMD NZ NOTE A ADDED (8423)	5A	21 471	G F E
SUPERSESSION NOTE ADDED (68494)	5	2 10 65	2 C
NOTE 4 ADDED	4		
NOTES & EXTERNAL ROUTING AMENDED	3		
EARTH & BATTERY ROUTING AMENDED	2		
	1		
AMENDMENT PARTICULARS	ISSUE DATE	APPR	

PABX RINGING AND TONES CIRCUIT

GBW 14700

NZPO

TO CIRCUITS AS REQD (NOTE 3)

MICROBOX

4

4

3