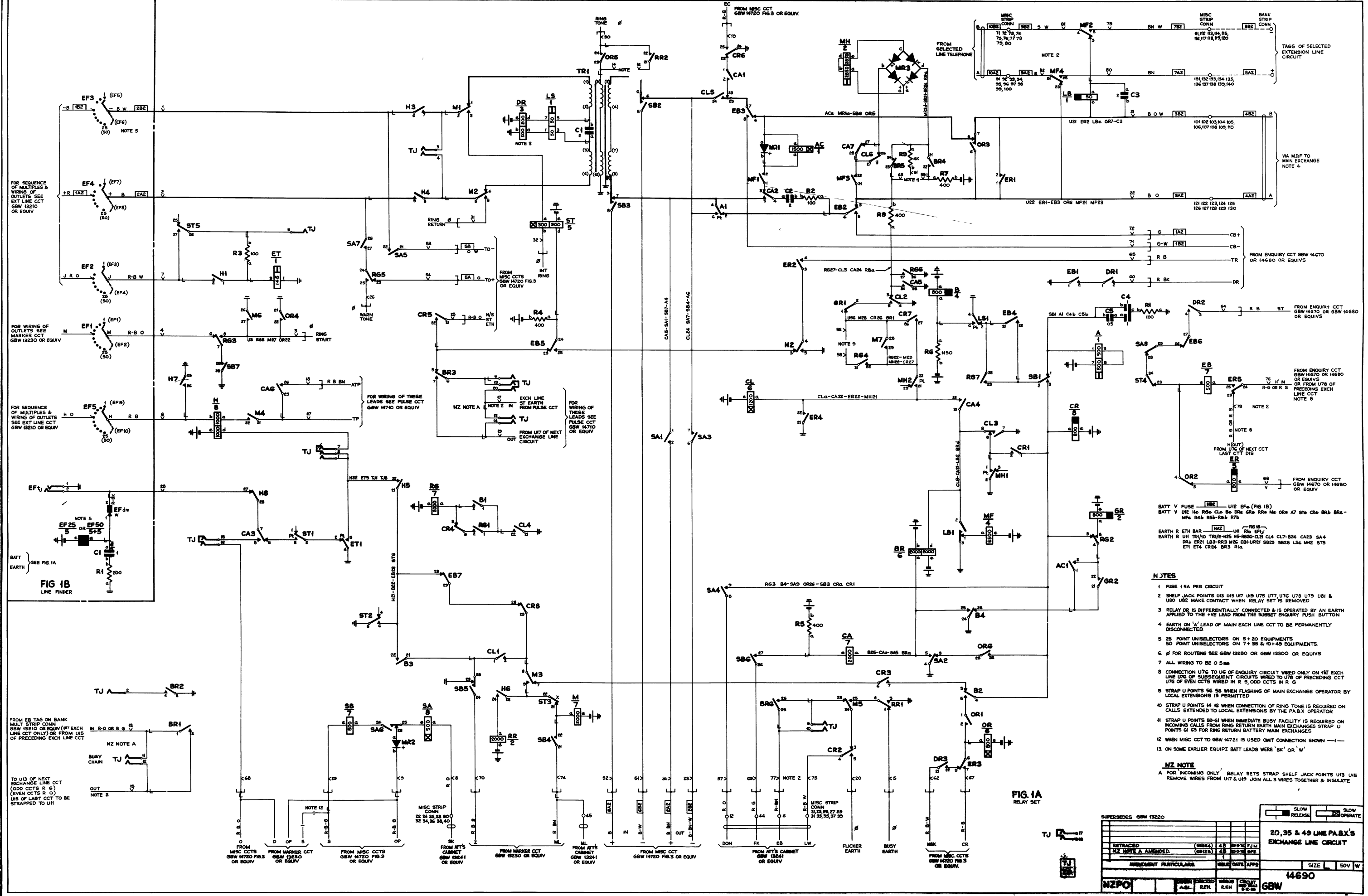


0  
5  
10  
15  
20  
25  
30  
35  
40  
45  
50  
55  
60



- NOTES**
- FUSE 1.5A PER CIRCUIT
  - SHIELD JACK POINTS US US7 US8 US77 US78 US79 US81 & US82 MAKE CONTACT WHEN RELAY SET IS REMOVED
  - RELAY DR IS DIFFERENTIALLY CONNECTED & IS OPERATED BY AN EARTH APPLIED TO THE +VE LEAD FROM THE SUBSET ENQUIRY PUSH BUTTON
  - EARTH ON 'A' LEAD OF MAIN EXCH LINE CTT TO BE PERMANENTLY DISCONNECTED
  - 25 POINT UNISELECTORS ON 5+20 EQUIPMENTS  
50 POINT UNISELECTORS ON 7+35 & 10+49 EQUIPMENTS.
  - FOR ROUTINES SEE GBW 13280 OR GBW 13300 OR EQUIVS
  - ALL WIRING TO BE 0.5mm
  - CONNECTION U76 TO US OF ENQUIRY CIRCUIT WIRED ONLY ON 1ST EXCH LINE U76 OF SUBSEQUENT CIRCUITS WIRED TO U76 OF PRECEDING CTT U76 OF EXCH CTT'S WIRED IN R 5,000 CTT'S IN R 5
  - STRAP U POINTS 52-58 WHEN FLASHING OF MAIN EXCHANGE OPERATOR BY LOCAL EXTENSIONS IS PERMITTED
  - STRAP U POINTS 14-16 WHEN CONNECTION OF RING TONE IS REQUIRED ON CALLS EXTENDED TO LOCAL EXTENSIONS BY THE P.A.B.X. OPERATOR
  - STRAP U POINTS 59-61 WHEN IMMEDIATE BUSY FACILITY IS REQUIRED ON INCOMING CALLS FROM RING RETURN EARTH MAIN EXCHANGES STRAP U POINTS 61-63 FOR RING RETURN BATTERY MAIN EXCHANGES
  - WHEN MISC CTT TO GBW 14721 IS USED OMIT CONNECTION SHOWN
  - ON SOME EARLIER EQUIP: BATT LEADS WERE 'BK' OR 'W'
- NZ NOTE**
- A FOR INCOMING ONLY: RELAY SETS STRAP SHELF JACK POINTS US3 US4 REMOVE WIRES FROM U7 & U9 JOIN ALL S WIRES TOGETHER & INSULATE

FIG. 1A  
RELAY SET

SUPERSEDES GBW 13220

RETRACED	(6886)	45	29-76	FJM
NZ NOTE A AMENDED	(6815)	45	29-76	EE
AMENDMENT PARTICULARS	UNCL	DATE	APPD	
NZPO	ISSUED	BY	REVISION	DATE

20, 35 & 49 LINE P.A.B.X'S  
EXCHANGE LINE CIRCUIT

44690

GBW