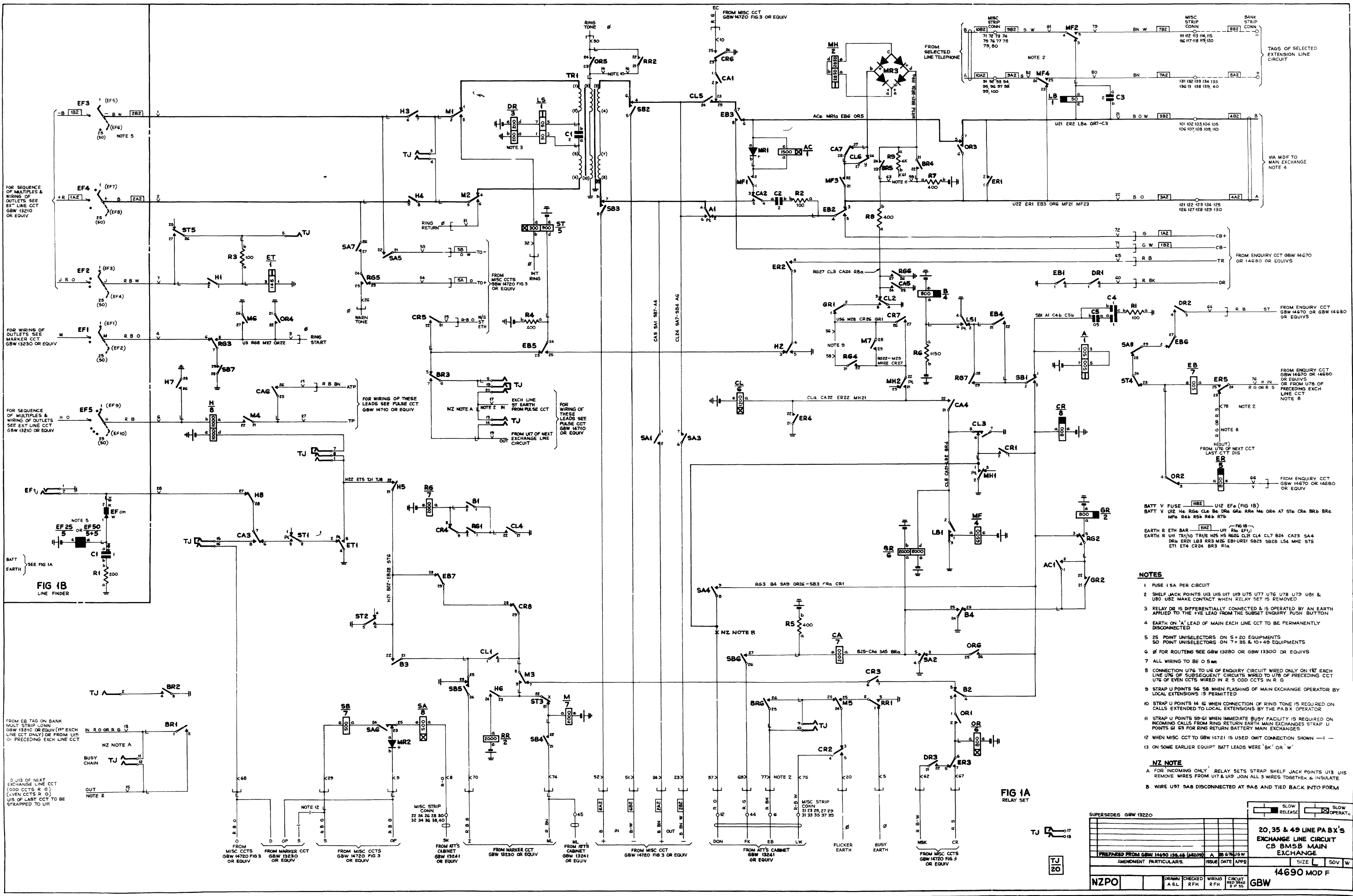


0
5
10
15
20
25
30
35
40
45
50
55
60



- NOTES**
- 1 FUSE 1.5A PER CIRCUIT
 - 2 SHIELD JACK POINTS U13 U15 U17 U75 U77 U78 U79 U81 & U80 MAKE CONTACT WHEN RELAY SET IS REMOVED
 - 3 RELAY DR IS DIFFERENTIALLY CONNECTED & IS OPERATED BY AN EARTH APPLIED TO THE +VE LEAD FROM THE SUBSET ENQUIRY PUSH BUTTON
 - 4 EARTH ON 'A' LEAD OF MAIN EXCH LINE CCT TO BE PERMANENTLY DISCONNECTED
 - 5 25 POINT UNISELECTORS ON 5+20 EQUIPMENTS
 - 6 50 POINT UNISELECTORS ON 7+35 & 10+49 EQUIPMENTS
 - 7 FOR ROUTINGS SEE GBW 13280 OR GBW 13300 OR EQUIVS
 - 8 ALL WIRING TO BE 0.5mm
 - 9 CONNECTION U76 TO U8 OF ENQUIRY CIRCUIT WIRED ONLY ON EXT EXCH LINE U76 OF SUBSEQUENT CIRCUITS WIRED TO U78 OF PRECEDING CCT U76 OF EVEN CCTS WIRED IN R 5 ODD CCTS IN R 6
 - 10 STRAP U POINTS 56 58 WHEN FLASHING OF MAIN EXCHANGE OPERATOR BY LOCAL EXTENSIONS IS PERMITTED
 - 11 STRAP U POINTS 59-61 WHEN IMMEDIATE BUSY FACILITY IS REQUIRED ON INCOMING CALLS FROM RING RETURN EARTH MAIN EXCHANGES STRAP U POINTS 61 63 FOR RINGS RETURN BATTERY MAIN EXCHANGES
 - 12 WHEN MISC CCT TO GBW 14721 IS USED OMIT CONNECTION SHOWN — | —
 - 13 ON SOME EARLIER EQUIPT BATT LEADS WERE 'bk' OR 'w'
- NZ NOTE**
- A FOR INCOMING ONLY RELAY SETS STRAP SHIELD JACK POINTS U13 U15 REMOVE WIRES FROM U17 & U19 JOIN ALL 3 WIRES TOGETHER & INSULATE
- B WIRE U37 5AB DISCONNECTED AT 5AB AND TIED BACK INTO FORM

SUPERSEDES GBW 13220

AMENDMENT	PARTICULARS	ISSUE DATE	APP'D

20, 35 & 49 LINE PA BX'S EXCHANGE LINE CIRCUIT C.B. BMSB MAIN EXCHANGE

PREPARED FROM GBW 14690 (38.48 (48209) A B 676/U/W

SIZE L SOV W

14690 MOD F

NZPO

DRWN	CHECKED	WRNG	CIRCUIT
A.S.L.	R.F.H.	R.F.H.	REP 3642
			8.7.55

GBW

FOR SEQUENCE OF MULTIPLES & WIRING OF OUTLETS SEE EXT LINE CCT GBW 13210 OR EQUIV

FOR SEQUENCE OF MULTIPLES & WIRING OF OUTLETS SEE EXT LINE CCT GBW 13230 OR EQUIV

FOR SEQUENCE OF MULTIPLES & WIRING OF OUTLETS SEE EXT LINE CCT GBW 13240 OR EQUIV

FOR SEQUENCE OF MULTIPLES & WIRING OF OUTLETS SEE EXT LINE CCT GBW 13250 OR EQUIV

FOR SEQUENCE OF MULTIPLES & WIRING OF OUTLETS SEE EXT LINE CCT GBW 13260 OR EQUIV

FOR SEQUENCE OF MULTIPLES & WIRING OF OUTLETS SEE EXT LINE CCT GBW 13270 OR EQUIV

TAGS OF SELECTED EXTENSION LINE CIRCUIT

VIA MDP TO MAIN EXCHANGE NOTE 4

FROM ENQUIRY CCT GBW 14670 OR EQUIVS

FROM ENQUIRY CCT GBW 14670 OR EQUIVS

FROM ENQUIRY CCT GBW 14670 OR EQUIVS

FROM ENQUIRY CCT GBW 14670 OR EQUIVS

FROM ENQUIRY CCT GBW 14670 OR EQUIVS

FROM ENQUIRY CCT GBW 14670 OR EQUIVS

FROM ENQUIRY CCT GBW 14670 OR EQUIVS

FROM ENQUIRY CCT GBW 14670 OR EQUIVS

FROM ENQUIRY CCT GBW 14670 OR EQUIVS

FOR SEQUENCE OF MULTIPLES & WIRING OF OUTLETS SEE EXT LINE CCT GBW 13280 OR EQUIV

FOR SEQUENCE OF MULTIPLES & WIRING OF OUTLETS SEE EXT LINE CCT GBW 13290 OR EQUIV

FOR SEQUENCE OF MULTIPLES & WIRING OF OUTLETS SEE EXT LINE CCT GBW 13300 OR EQUIV

FOR SEQUENCE OF MULTIPLES & WIRING OF OUTLETS SEE EXT LINE CCT GBW 13310 OR EQUIV

FOR SEQUENCE OF MULTIPLES & WIRING OF OUTLETS SEE EXT LINE CCT GBW 13320 OR EQUIV

FOR SEQUENCE OF MULTIPLES & WIRING OF OUTLETS SEE EXT LINE CCT GBW 13330 OR EQUIV

FOR SEQUENCE OF MULTIPLES & WIRING OF OUTLETS SEE EXT LINE CCT GBW 13340 OR EQUIV

FOR SEQUENCE OF MULTIPLES & WIRING OF OUTLETS SEE EXT LINE CCT GBW 13350 OR EQUIV

FOR SEQUENCE OF MULTIPLES & WIRING OF OUTLETS SEE EXT LINE CCT GBW 13360 OR EQUIV

FOR SEQUENCE OF MULTIPLES & WIRING OF OUTLETS SEE EXT LINE CCT GBW 13370 OR EQUIV

FOR SEQUENCE OF MULTIPLES & WIRING OF OUTLETS SEE EXT LINE CCT GBW 13380 OR EQUIV

FOR SEQUENCE OF MULTIPLES & WIRING OF OUTLETS SEE EXT LINE CCT GBW 13390 OR EQUIV