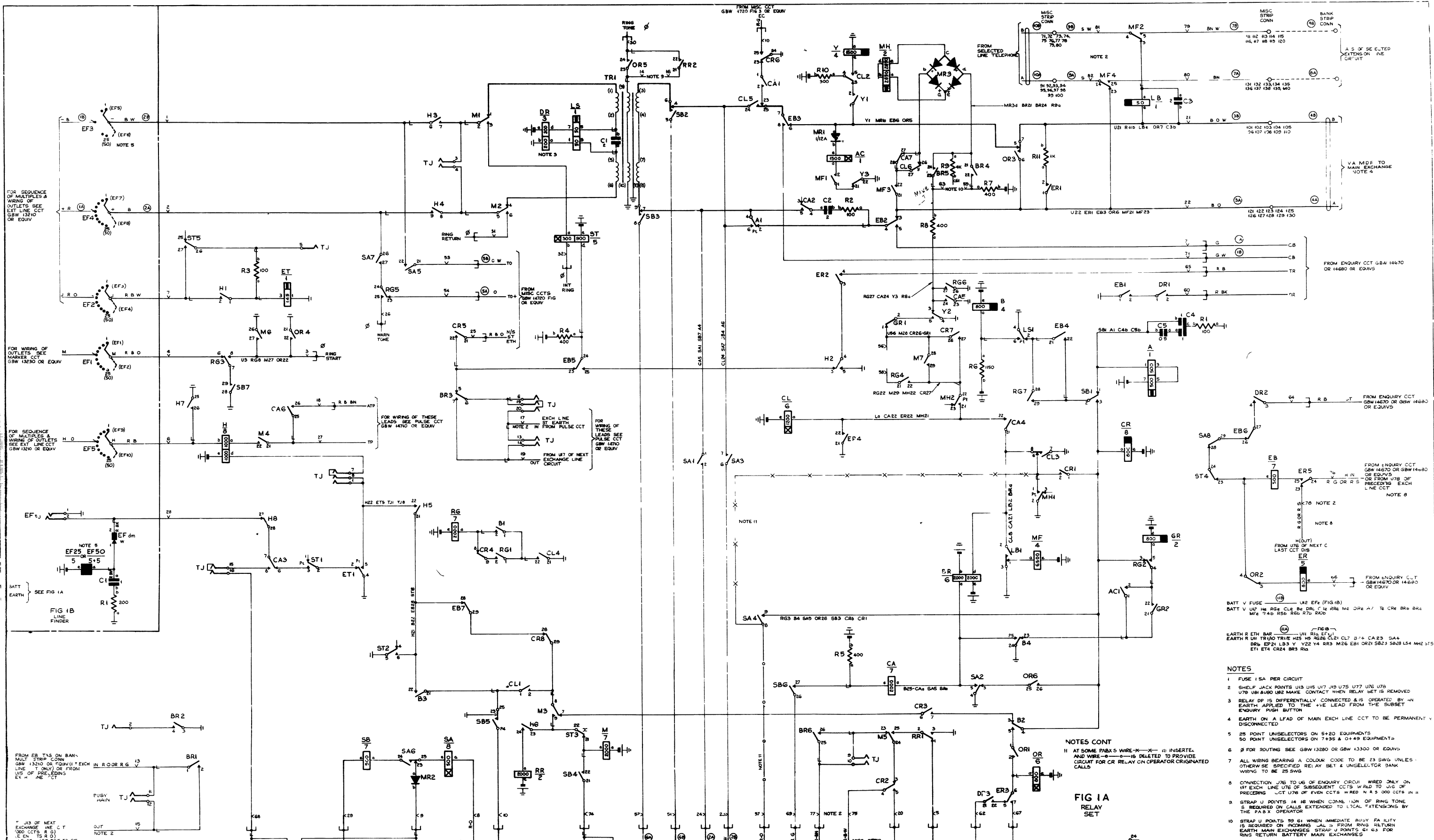


0
5
10
15
20
25
30
35
40
45
50
55
60



FOR SEQUENCE OF MULTIPLES & WIRING OF OUTLETS SEE EXT LINE CTT GBW 13210 OR EQUIV

FOR WIRING OF OUTLETS SEE MARKER CTT GBW 13230 OR EQUIV

FOR SEQUENCE OF MULTIPLES & WIRING OF OUTLETS SEE EXT LINE CTT GBW 13210 OR EQUIV

FOR SEQUENCE OF MULTIPLES & WIRING OF OUTLETS SEE EXT LINE CTT GBW 13210 OR EQUIV

BATT V FUSE SEE FIG 1A

FROM BR T&S ON BANK MULT STRIP CONN GBW 13210 OR EQUIV (EACH IN ROOM RG V LINE T ONLY) OR FROM LIS OF PRECEDING EXCH LINE CTT

T J3 OF NEXT EXCHANGE LINE CTT (000 CTS R B) (L S) (TS R B) (S) OF EXT CTT TO BE RAPPED TO JH

FROM MISC. CTT GBW 14720 FIG 3 OR EQUIV

FROM MARKER CTT GBW 13230 OR EQUIV

FROM MISC. CTT GBW 14720 FIG 3 OR EQUIV

FROM ATT'S CABINET GBW 13241 OR EQUIV

FROM MARKER CTT GBW 13230 OR EQUIV

FROM MISC. CTT GBW 14720 FIG 3 OR EQUIV

FROM MISC. CTT GBW 14720 FIG 3 OR EQUIV

FROM MARKER CTT GBW 13230 OR EQUIV

FROM MISC. CTT GBW 14720 FIG 3 OR EQUIV

FROM ATT'S CABINET GBW 13241 OR EQUIV

FROM MARKER CTT GBW 13230 OR EQUIV

FROM MISC. CTT GBW 14720 FIG 3 OR EQUIV

FROM MISC. CTT GBW 14720 FIG 3 OR EQUIV

FROM MARKER CTT GBW 13230 OR EQUIV

FROM MISC. CTT GBW 14720 FIG 3 OR EQUIV

FROM ATT'S CABINET GBW 13241 OR EQUIV

FROM MARKER CTT GBW 13230 OR EQUIV

FROM MISC. CTT GBW 14720 FIG 3 OR EQUIV

FROM MISC. CTT GBW 14720 FIG 3 OR EQUIV

FROM MARKER CTT GBW 13230 OR EQUIV

FROM MISC. CTT GBW 14720 FIG 3 OR EQUIV

FROM ATT'S CABINET GBW 13241 OR EQUIV

FROM MARKER CTT GBW 13230 OR EQUIV

FROM MISC. CTT GBW 14720 FIG 3 OR EQUIV

FROM MISC. CTT GBW 14720 FIG 3 OR EQUIV

FROM MARKER CTT GBW 13230 OR EQUIV

FROM MISC. CTT GBW 14720 FIG 3 OR EQUIV

FROM ATT'S CABINET GBW 13241 OR EQUIV

FROM MARKER CTT GBW 13230 OR EQUIV

FROM MISC. CTT GBW 14720 FIG 3 OR EQUIV

FROM MISC. CTT GBW 14720 FIG 3 OR EQUIV

FROM MARKER CTT GBW 13230 OR EQUIV

FROM MISC. CTT GBW 14720 FIG 3 OR EQUIV

FROM ATT'S CABINET GBW 13241 OR EQUIV

FROM MARKER CTT GBW 13230 OR EQUIV

FROM MISC. CTT GBW 14720 FIG 3 OR EQUIV

FROM MISC. CTT GBW 14720 FIG 3 OR EQUIV

FROM MARKER CTT GBW 13230 OR EQUIV

FROM MISC. CTT GBW 14720 FIG 3 OR EQUIV

FROM ATT'S CABINET GBW 13241 OR EQUIV

FROM MARKER CTT GBW 13230 OR EQUIV

FROM MISC. CTT GBW 14720 FIG 3 OR EQUIV

FROM MISC. CTT GBW 14720 FIG 3 OR EQUIV

FROM MARKER CTT GBW 13230 OR EQUIV

FROM MISC. CTT GBW 14720 FIG 3 OR EQUIV

FROM ATT'S CABINET GBW 13241 OR EQUIV

FROM MARKER CTT GBW 13230 OR EQUIV

FROM MISC. CTT GBW 14720 FIG 3 OR EQUIV

FROM MISC. CTT GBW 14720 FIG 3 OR EQUIV

FROM MARKER CTT GBW 13230 OR EQUIV

FROM MISC. CTT GBW 14720 FIG 3 OR EQUIV

FROM ATT'S CABINET GBW 13241 OR EQUIV

FROM MARKER CTT GBW 13230 OR EQUIV

FROM MISC. CTT GBW 14720 FIG 3 OR EQUIV

FROM MISC. CTT GBW 14720 FIG 3 OR EQUIV

FROM MARKER CTT GBW 13230 OR EQUIV

FROM MISC. CTT GBW 14720 FIG 3 OR EQUIV

FROM ATT'S CABINET GBW 13241 OR EQUIV

FROM MARKER CTT GBW 13230 OR EQUIV

FROM MISC. CTT GBW 14720 FIG 3 OR EQUIV

FROM MISC. CTT GBW 14720 FIG 3 OR EQUIV

FROM MARKER CTT GBW 13230 OR EQUIV

FROM MISC. CTT GBW 14720 FIG 3 OR EQUIV

FROM ATT'S CABINET GBW 13241 OR EQUIV

FROM MARKER CTT GBW 13230 OR EQUIV

FROM MISC. CTT GBW 14720 FIG 3 OR EQUIV

FROM MISC. CTT GBW 14720 FIG 3 OR EQUIV

FROM MARKER CTT GBW 13230 OR EQUIV

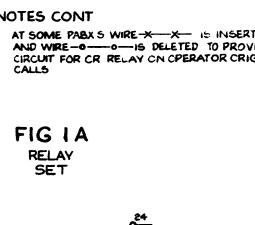
FROM MISC. CTT GBW 14720 FIG 3 OR EQUIV

FROM ATT'S CABINET GBW 13241 OR EQUIV

FROM MARKER CTT GBW 13230 OR EQUIV

FROM MISC. CTT GBW 14720 FIG 3 OR EQUIV

- NOTES**
- FUSE 1.5A PER CIRCUIT
 - SHIELD JACK POINTS U13 U15 U17 U18 U75 U77 U78 U79 U81 U80 U82 MAKE CONTACT WHEN RELAY SET IS REMOVED
 - RELAY OP IS DIFFERENTIALLY CONNECTED & IS OPERATED BY -N EARTH APPLIED TO THE +VE LEAD FROM THE SUBSET ENQUIRY PUSH BUTTON
 - EARTH ON A LEAD OF MAIN EXCH LINE CTT TO BE PERMANENTLY DISCONNECTED
 - 25 POINT UNSELECTORS ON 5+20 EQUIPMENTS
 - 50 POINT UNSELECTORS ON 7+35 & 0+49 EQUIPMENTS
 - B FOR ROUTING SEE GBW 13280 OR GBW 13300 OR EQUIV
 - ALL WIRING BEARING A COLOUR CODE TO BE 23 SWG UNLESS OTHERWISE SPECIFIED RELAY SET & UNSELECTOR BANK WIRING TO BE 25 SWG
 - CONNECTION J76 TO J6 OF ENQUIRY CIRCUIT WIRING ONLY ON EXT EXCH LINE U76 OF SUBSEQUENT CTT'S W R2 TO J10 OF PRECEDING CTT U76 OF EVEN CTT'S W R3 TO J10 OF PRECEDING CTT U76 OF ODD CTT'S W R3 TO J10 OF PRECEDING CTT
 - STRAP U POINTS 14 16 WHEN CONNECTION OF RING TONE IS REQUIRED ON CALLS EXTENDED TO LOCAL EXCHANGES BY THE PABX OPERATOR
 - STRAP U POINTS 99 61 WHEN IMMEDIATE RELAY FAULTY IS REQUIRED ON INCOMING CALLS FROM RING RETURN EARTH MAIN EXCHANGES STRAP U POINTS 61 63 FOR RING RETURN BATTERY MAIN EXCHANGES



REFERENCE TO MOD B DELETED (4337)	E	4 377 EJM
NOTE 11 ADDED (22200)	D	2044 GFE
REPLACED FROM 188 B OF 17 18	C	30174 JMW
USE STRIP SHOW IN ERROR (6810)	A	22132 D
AMENDMENT PARTICULARS	ISSUE DATE	APD
NZ PO	DRAWN CHECKED	WIRING CIRCUIT
	ASL RTH	RLT

20 35 & 49 LINE PABX S
EXCHANGE LINE CIRCUIT
MAGNETO MAIN EXCHANGE
GBW 14690 MOD A