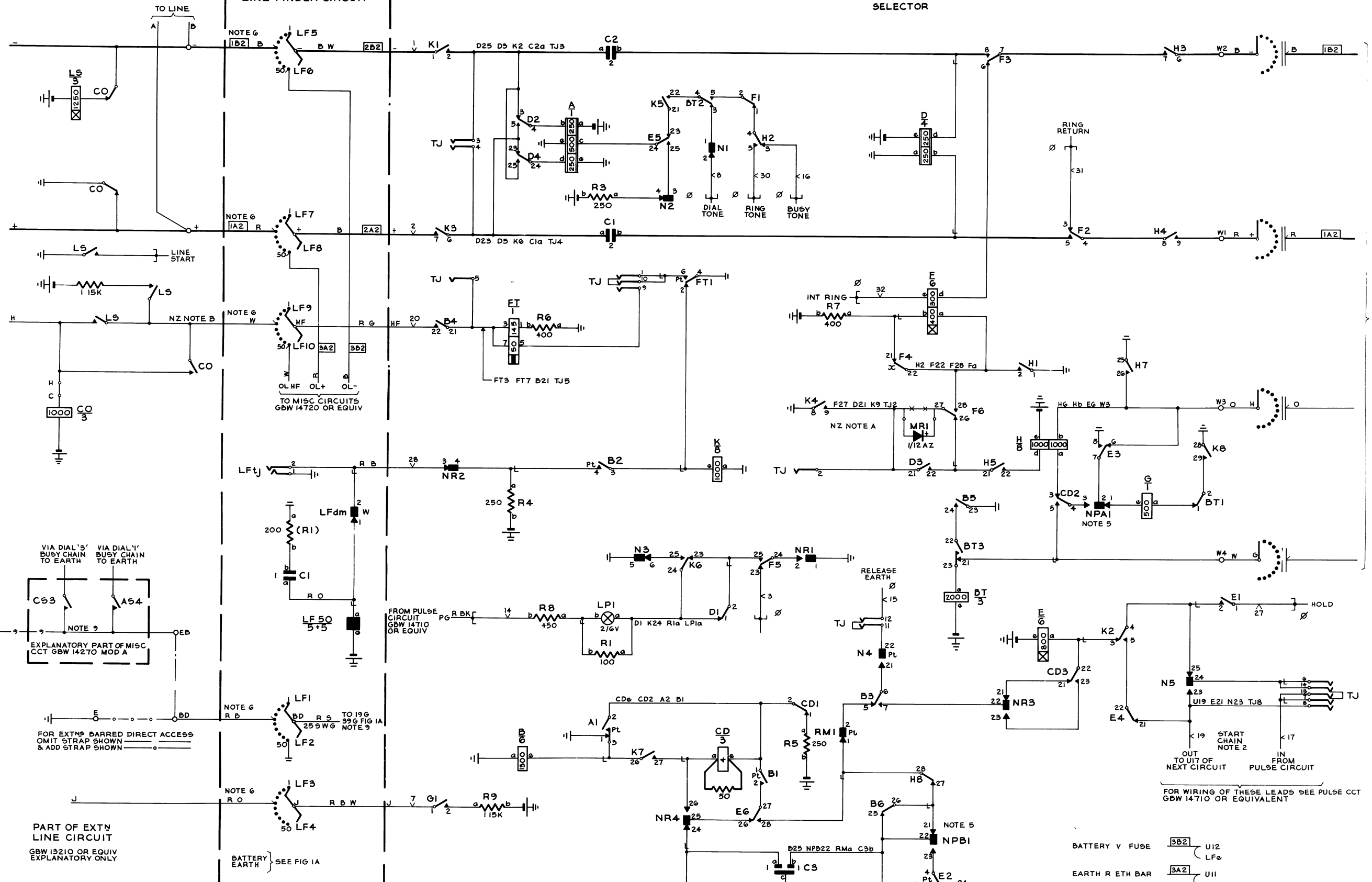


**FIG 1B**  
LINE FINDER CIRCUIT

**FIG 1A**  
SELECTOR



FOR SEQUENCE OF MULTIPLES & WIRING OF OUTLETS SEE EXTENSION LINE CIRCUIT GBW 13210 OR EQUIV AND NOTE 6

- NOTES**
- FUSING 1.5A PER CIRCUIT
  - JACK POINTS U9 & U11 AND U17 & U19 MAKE CONTACT WHEN RELAY SET IS REMOVED
  - Ø FOR WIRING SEE GBW 13300 OR EQUIVALENT
  - ALL WIRING BEARING A COLOUR CODE TO BE 23 SWG UNLESS OTHERWISE SPECIFIED BANK & SELECTOR WIRING TO BE 25 SWG
  - NPA SPRINGS MAKE ON NZ LEVELS 6 7 6 5 & 0 } 35 LINE  
NPB SPRINGS MAKE ON NZ LEVELS 9 4 3 2 1 & 0 } 49 LINE  
NPA SPRINGS MAKE ON NZ LEVELS 6 7 6 5 4 & 0 } 49 LINE  
NPB SPRINGS MAKE ON NZ LEVELS 9 5 2 1 & 0 } 49 LINE
  - FOR SEQUENCE OF MULTIPLES & WIRING OF OUTLETS SEE EXTENSION LINE CIRCUIT GBW 13210 OR EQUIVALENT
  - LEVEL & CONTACT NUMBERS SHOWN ARE IN ACCORDANCE WITH REVERSE NUMBERED NZ DIAL BPO NUMBERING CORRESPONDING TO NZ NUMBERS 0 1 2 3 4 5 6 7 8 9 15 0 9 8 7 6 5 4 3 2 1 RESPECTIVELY

- 8 MISCELLANEOUS CONNECTIONS FROM BANKS**
- |             |         |   |                                      |
|-------------|---------|---|--------------------------------------|
| CONTACT 19H | Ø       | A5 EXCH LINE DIAL '1' START                 | FROM MISC CIRCUIT GBW 14720 OR EQUIV |
| CONTACT 29H | Ø       | B5 NIGHT SERVICE START                      |                                      |
| CONTACT 39H | R 5     | C5 EXCH LINE DIAL '3' START                 | FROM MISC CIRCUIT GBW 14720 OR EQUIV |
| CONTACT 39G | R B     | FROM LF 1/W FIG 1B NOTE 9                   |                                      |
| CONTACT 29G | R B     | NIGHT SERVICE BUSY EARTH                    | FROM MISC CIRCUIT GBW 14720 OR EQUIV |
| CONTACT 08H | Ø       | OL H  |                                      |
| CONTACT 08+ | R [2A2] | OL +  | FROM MISC CIRCUIT GBW 14720 OR EQUIV |
| CONTACT 06  | B [2B2] | OL -  |                                      |
| CONTACT 09H | Ø       | OL W FROM ATTS LINE CCTS                    | FROM MISC CIRCUIT GBW 14720 OR EQUIV |
| CONTACT 09G | Ø       |   |                                      |
| CONTACT 99G | Ø       |   | FROM MISC CIRCUIT GBW 14720 OR EQUIV |
| CONTACT 49G | Ø       | 35 LINE PB X ONLY                           |                                      |
| CONTACT 39G | Ø R 5   | FROM C5 22 (SPRING SET C53) GBW 14720 MOD A |                                      |
- 9 WHEN ACCESS TO DIAL '3' ROUTE BY BARRED EXTENSIONS IS REQUIRED PROVIDE CONNECTIONS SHOWN — 9 — 9 — OMIT STRAPS 19G 39G TOGETHER WITH STRAP BETWEEN SPRINGSETS A54 AND C53 (GBW 14720 MOD A)**

- NZ NOTES**
- A WHEN ACCESS TO VHF SERVICE VIA AN EXTN LINE CIRCUIT IS REQUIRED MODIFY CONNECTING CCTS FOR CALLING PARTY RELEASE BY REMOVING WIRING SHOWN & INSERTING RECT MRI & WIRING SHOWN
- B ON SOME 35 LINE SYSTEMS THE HF MULT WIRING IS BROWN INSTEAD OF WHITE

- BATTERY V FUSE [3B2] U12  
LF6
- EARTH R ETH BAR [3A2] U11  
R1a LFTj1-LF2/50
- EARTH R ETH BAR 1ST G BANK OUTLET 09 MULT TO ALL BANKS  
1ST G BANK OUTLET 49 MULT TO ALL BANKS (35 LINE PABX ONLY)  
1ST G BANK OUTLET 99 MULT TO ALL BANKS
- BATTERY V U12 Hc Dc R3b R4b R5b Aa Ea Ee BTe VMc RMc R7b R9b  
EARTH R U11 H2c H1 FT4 Da Ea Ai B23 Ba K2c Ka K8 E5 E8 NRI N5 R6a R2a

[ ] SLOW RELEASE		[ X ] SLOW OPERATE	
<b>35/49 LINE PABX CONNECTING CIRCUIT HAVING 'OUT' SERVICE ON TWO ROUTES (DIAL 1 &amp; 3) WITH SUPERVISION</b>			
PREPARED FROM GBW 14660 MOD A 195F (122818)		A 12 3 74 0FE	
AMENDMENT PARTICULARS		ISSUE DATE APD	
N Z P O		DRAWN ASL CHECKED RFB WIRING RFB CIRCUIT	
N 5 NR 4 NPA 1 NPB 1 TJ 14		GBW 14660 MOD B	