

FIG 1A RELAY SET

MICROBOX



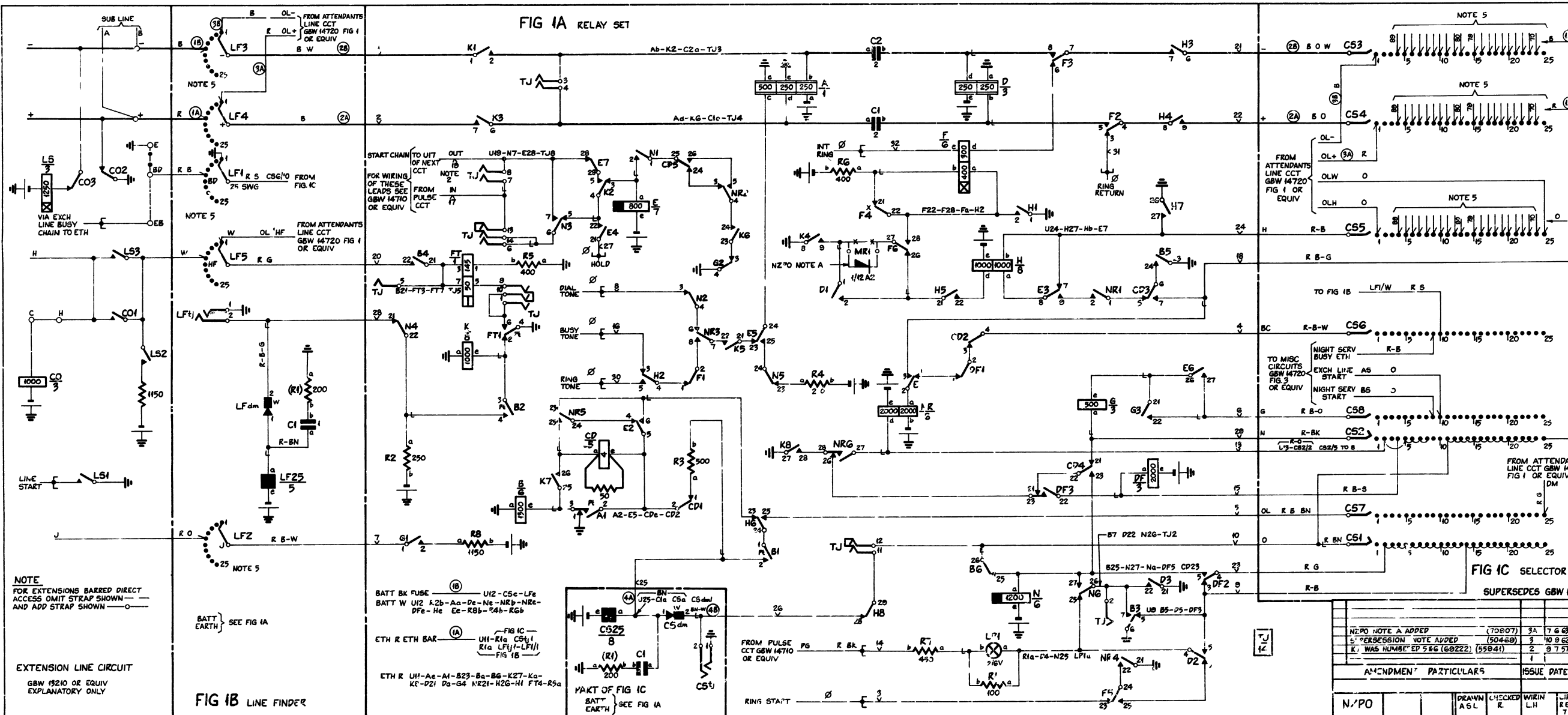
NOTES

- 1 FUSE 15A PER CCT
- 2 JACK POINTS U8 11 & U17 & 19 MAKE CONTACT WHEN RELAY SET IS REMOVED
- 3 Ø FOR WIRING SEE GBW 13280 OR EQUIV
- 4 ALL WIRING NOT OTHERWISE SPECIFIED TO BE 23 SWG UNISELECTOR BANK WIRING AND RELAY SET WIRING TO BE 25 SWG UNISELECTOR BANK STRAPPING TO BE 23 SWG BTC ON ADJACENT CONTACTS OR 23 SWG BTC AND SLEEVING ON NON ADJACENT CONTACTS WHEN NOT INCLUDED IN THE RACK CABLE
- 5 FOR SEQUENCE OF MULTIPLES AND WIRING OF OUTLETS SEE EXTENSION LINE CCT GBW 13210 OR EQUIV

NZPO NOTE

A WHEN ACCESS TO V.H.F. SERVICE VIA AN EXTENSION LINE CCT IS REQUIRED (REF NZ DRG 29655) MODIFY CONNECTING CCTS FOR CALLING PARTY RELEASE BY REMOVING WIRING OWN BY & INSERTING RECTIFYING WIRING SHOWN - - - - -

SLOW RELEASE		SLOW REPEAT	
20 LINE CAB CONNECTING CIRCUIT			
GBW 4650			



NOTE
FOR EXTENSIONS BARRED DIRECT ACCESS OMIT STRAP SHOWN AND ADD STRAP SHOWN

EXTENSION LINE CIRCUIT
GBW 13210 OR EQUIV EXPLANATORY ONLY

FIG 1B LINE FINDER

BATT BK FUSE (10) U12-C5e-Lf6
BATT W U12 A2b-Aa-De-Ne-NRb-NRe-Df6-He-Ee-R8b-R4b-R6b

ETH R ETH BAR (10) U11-R1a-C5h1 R1a-LF1j-LF1j-FIG 1B

ETH R U11-Ae-A1-823-8a-8g-K27-Ka-KF-D21 Da-G4 NR21-H26-H1 FT4-R5a

PART OF FIG 1C
BATT EARTH SEE FIG 1A

FIG 1C SELECTOR

SUPERSEDES GBW 19160			
NZPO NOTE A ADDED	(70807)	3A	7 6 63
PERSESSION NOTE ADDED	(50469)	3	10 8 62
REVISION NUMBERED 566 (69222)	(55841)	2	9 7 57
AMENDMENT PARTICULARS		ISSUE DATE	APP2
N/PO	DRAWN ASL	CHECKED R	WIRIN LH
			LRK.UIT RE 819:22 7 12 5

1
5
20
25
30
35
40
45
50
55
60
65
70
75
80
85
90
95
100
105
110
115
120
125
130
135
140
145
150
155
160
165
170
175
180
185
190
195
200

Δ 2

Δ 3

Δ 4

Δ 4

Δ 3

Δ 2

Δ 1