

FIG 1 B CONN CCT START CHAIN

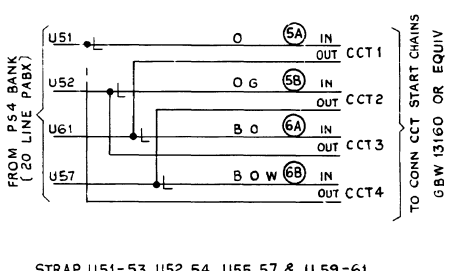


FIG 1 C EXCH LINE CCT START CHAIN

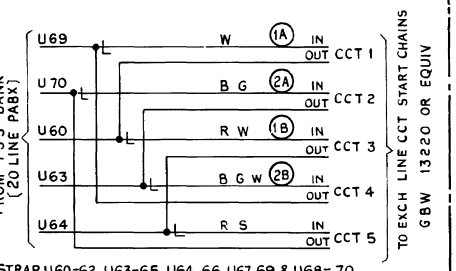


FIG 1 D TEST PULSES

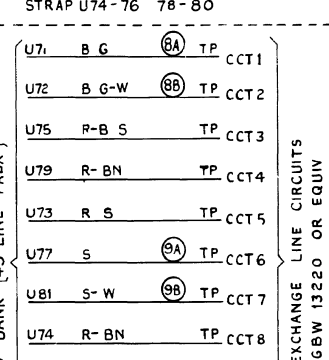
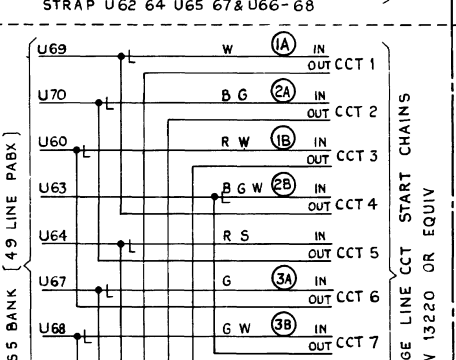
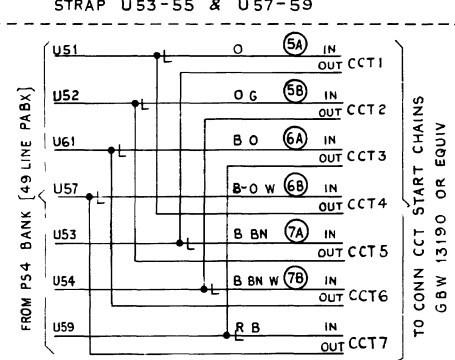
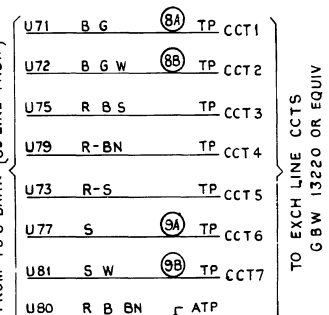
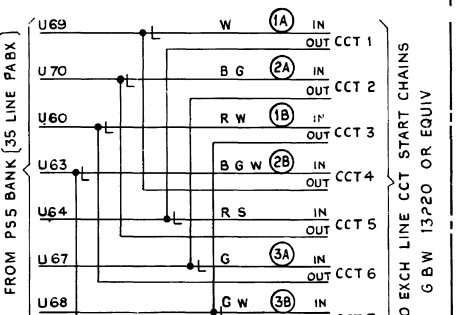
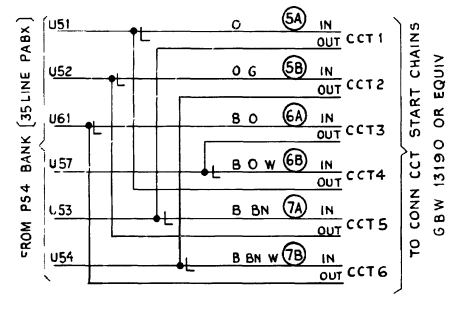
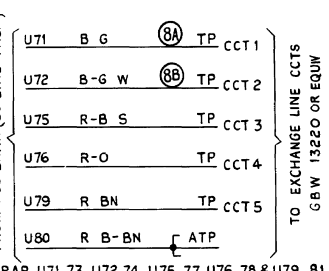
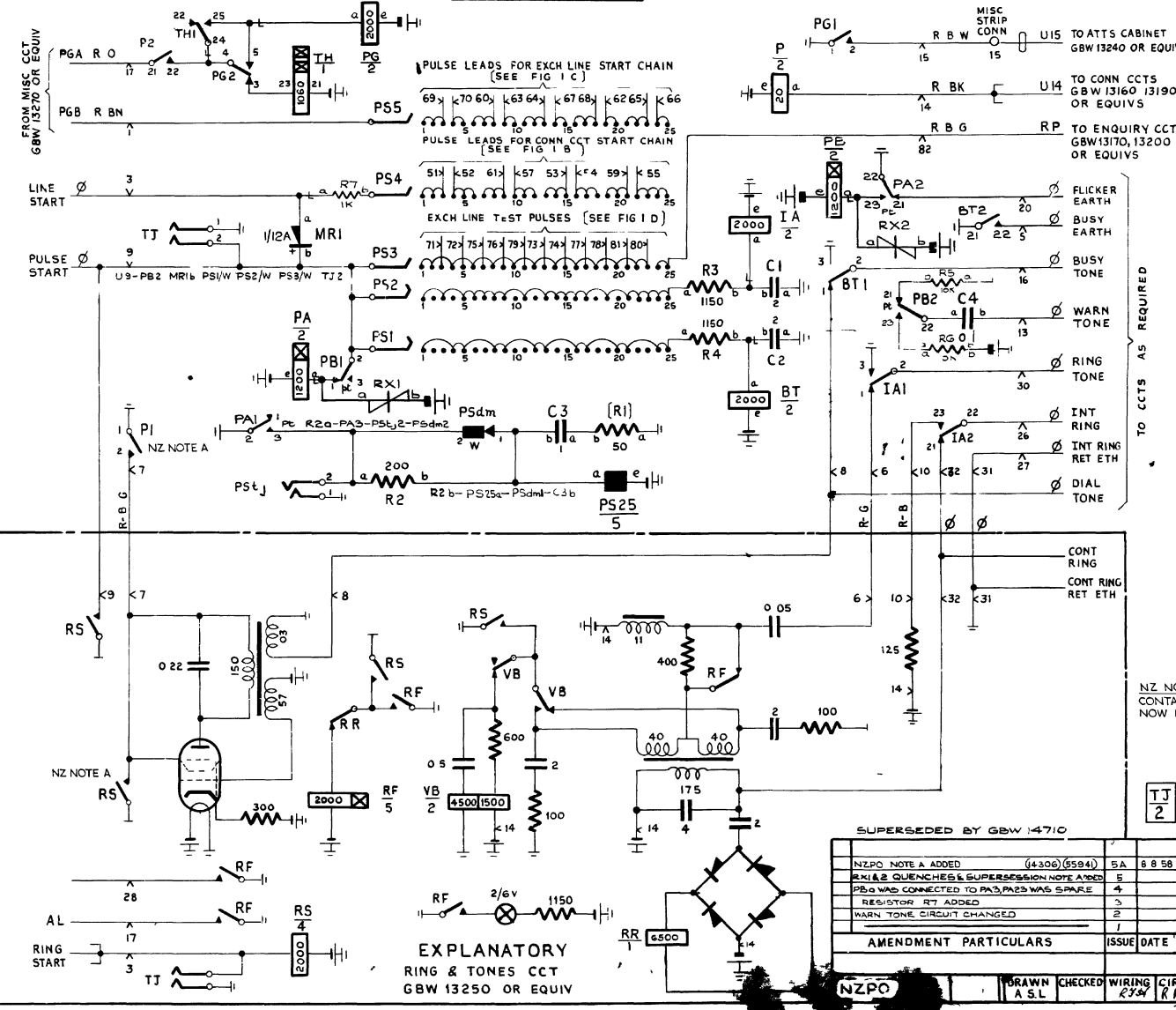


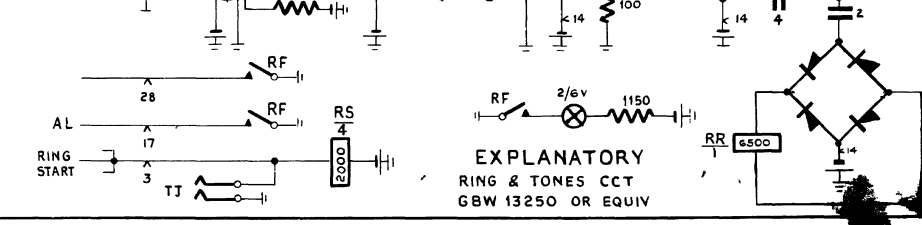
FIG 1 A PULSE CCT



- NOTES
- 1 FUSE 1.5 AMP
 - 2 FOR WIRING OF LEADS MARKED Ø SEE ASSOCIATED RACK COMMON SERVICES GBW 13280 OR GBW 13300 OR EQUIV
 - 3 ALL WIRING BEARING A COLOUR CODE TO BE 23 SWG RELAY SET WIRING TO BE 25 SWG

- BATT BK FUSE (ØB) U12
BATT W U12-IAe-Pe-Pae-PBe-PAc-THC-PGc-BTe-RGc
EARTH R ETH BAR (ØA) U11
EARTH R U11-Ac-P1 Pa PA2-Ca-Cba-PBc-PBc-PBc-PBc-PBc-TU

NZ NOTE A CONTACTS P1 (GBW 13260) & RS4 (GBW 13250) NOW REDUNDANT



SUPERSEDED BY GBW 14710			
NZPO NOTE A ADDED (4306) (5584)	5A	B B 58	R P
RELAYS QUENCHED & SUPERSEDED NOTE ADDED	5		
PBc WAS CONNECTED TO PAc, PAc WAS SPARE	4		
RESISTOR RT ADDED	3		
WARN TONE CIRCUIT CHANGED	2		
AMENDMENT PARTICULARS			
ISSUE DATE	APPROVED	REF.	SIZE L150V14
DRAWN			GBW 13260
ASL	CHECKED	WIRING	CIRCUIT
	R 24	R 24	R 24

IJ 2

— SLOW RELEASE — SLOW OPERATE

PULSE CIRCUIT
20.35 & 49 LINE PABX

GBW 13260