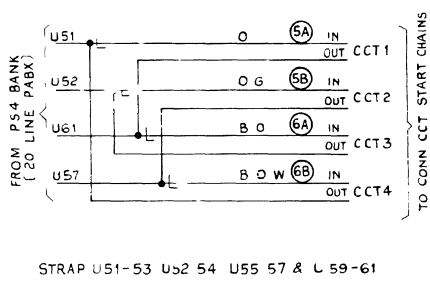
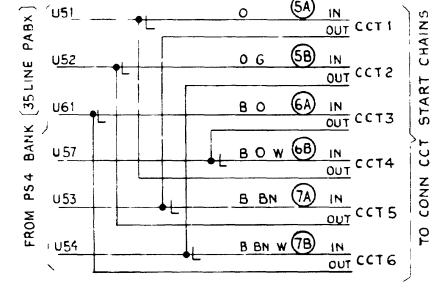


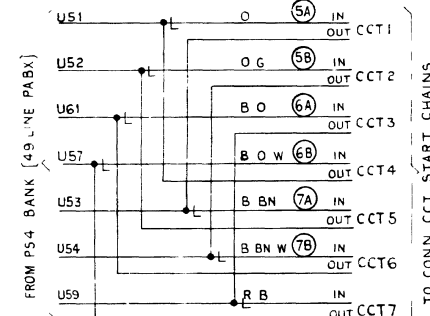
FIG 1B CONN CCT START CHAIN



STRAP U51-53 U52 54 U55 57 & L 59-61

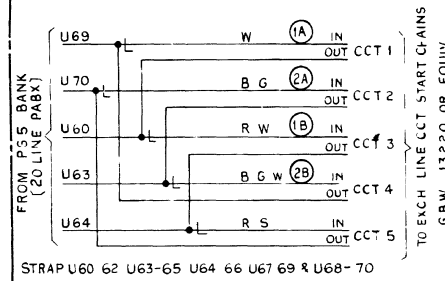


STRAP U53-55 & U57-59

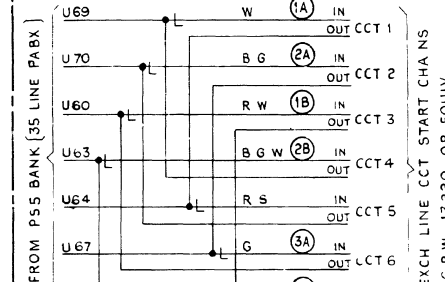


STRAP J53 55

FIG 1C EXCH LINE CCT START CHAIN



STRAP U60 62 U63-65 U64 66 U67 69 & U68-70



STRAP U62 64 U65 67 & U66-68

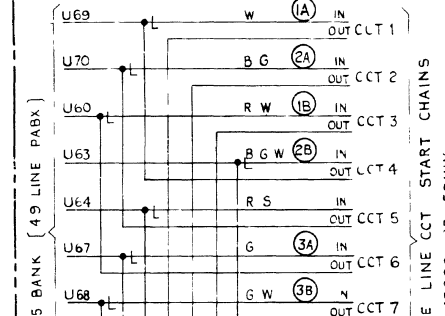
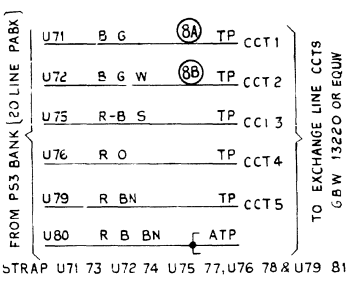
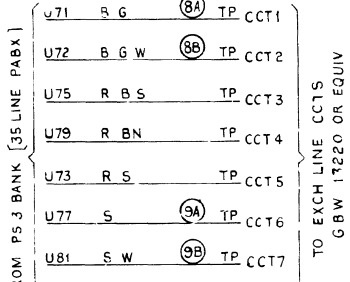


FIG 1D TEST PULSES



STRAP U71 73 U72 74 U75 77, U76 78 & U79 81



STRAP U74 76-78-80

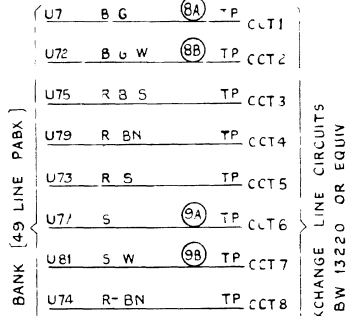
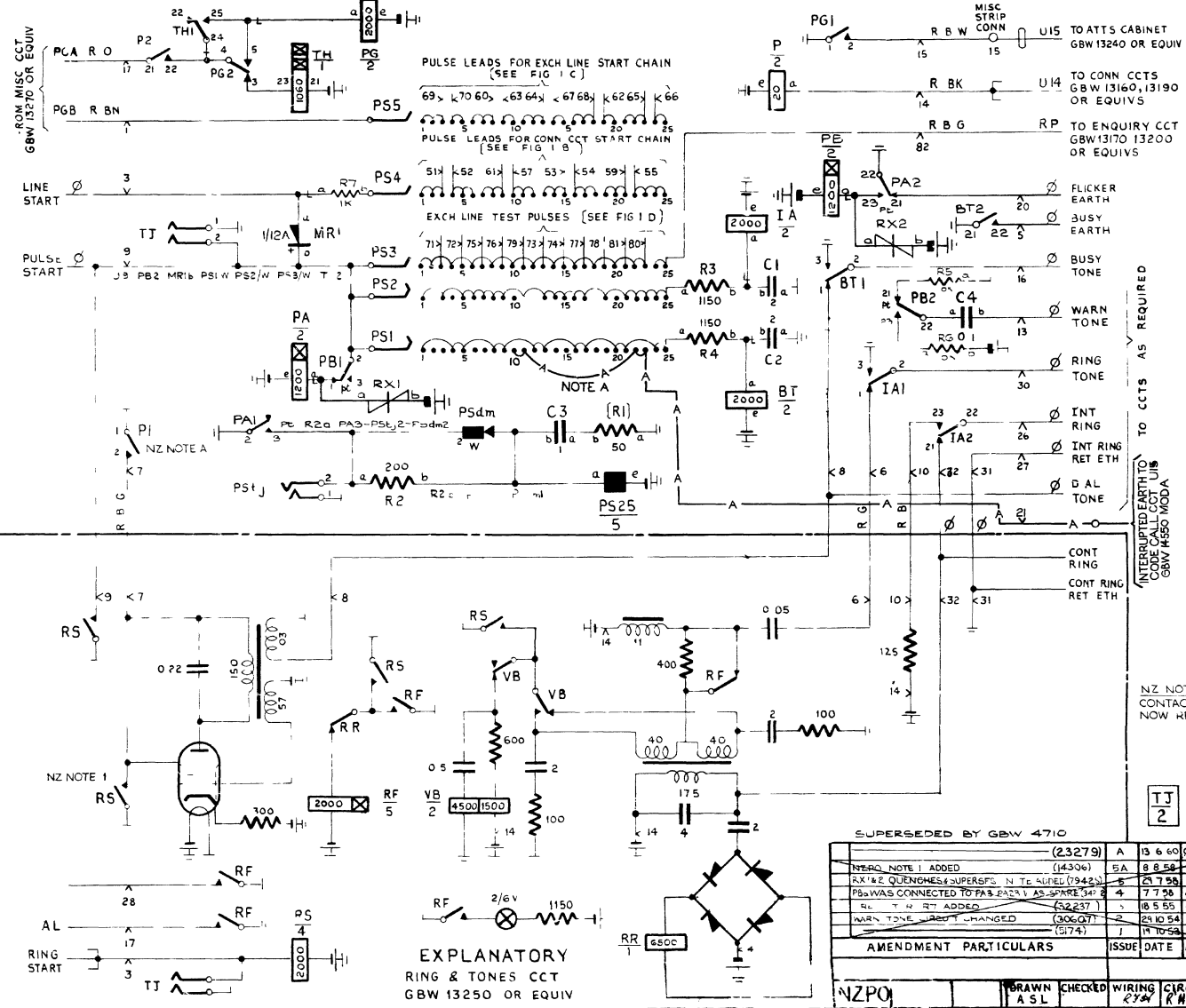


FIG 1A PULSE CCT



- NOTES
- FUSE 1 5 AMP
 - FOR WIRING OF LFADS MARKED Ø SEE ASSOCIATED RACK COMMON SERVICES GBW 13280 OR GBW 13300 OR EQUIVS
 - ALL WIRING BEARING A COLOUR CODE TO BE 23 SWG RELAY SET WIRING TO BE 25 SWG

NZ NOTES
A PROVIDE CONNS SHOWN-A-A CALL SERVICE STRAP PSI BANK ACCORDING TO LENGTH OF SIGNAL REQUIRED

BATT BK FUSE (10B) U12
BATT W U12-IAe Pe-Pae-PBL-
-PSa-TH21-PGc-oTc
EARTH R ETH BAR (10A) U11
EARTH R U11-
PAC Cla C2a 2st.1
PG BT1 RT3 455
Rla-TJ1

NZ NOTE A CONTACTS P1 (GBW 13260) & RS4 (GBW 13250) NOW REDUNDANT

TJ 2

SUPERSEDED BY GBW 4710

(23279)	A	15 6 60	GNC
NEPO NOTE 1 ADDED (14304)	EA	8 8 58	RF
RX1 & 2 QUENCHES SUPERSEDED BY NZ (1942)	EA	7 7 58	RF
PS5 WAS CONNECTED TO PS3-PS2 AS SPARE (1942)	EA	7 7 58	JTR
RL T H RT ADDED (14237)	EA	10 5 55	JTR
WARN TONE WIRE CHANGED (30607)	EA	24 10 54	RL
(1974)			

AMENDMENT PARTICULARS

ISSUE	DATE	APPD	REPR	SIZE	BY
				L	50Y/W

NZPO: DRAWN ASL CHECKED WIRING CIRCUIT RMB

PULSE CIRCUIT
20, 35 & 49 LINE PABX
WITH AUXILIARY SERVICES
GBW 13260 MOD A

EXPLANATORY RING & TONES CCT GBW 13250 OR EQUIV

0
5
10
15
20
25