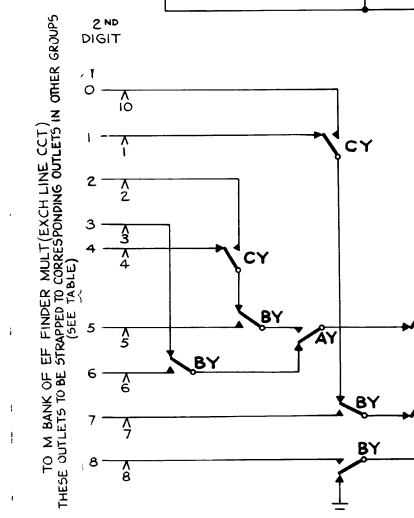
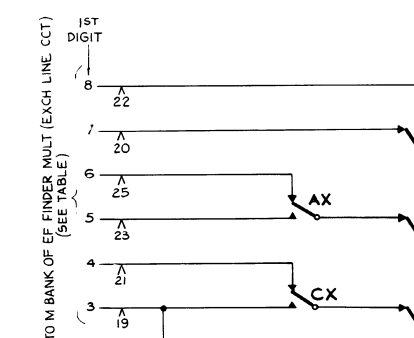


WIRING OF M BANK

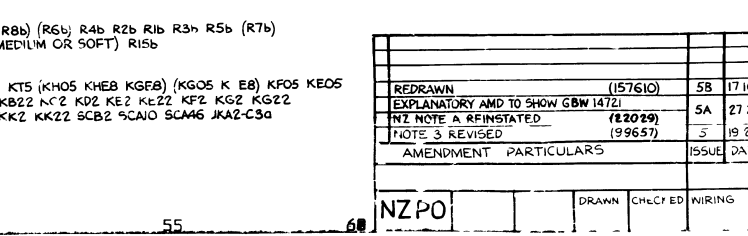
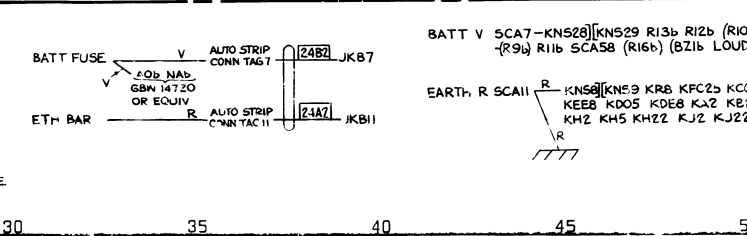
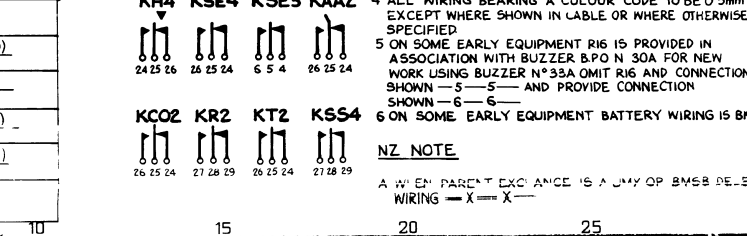
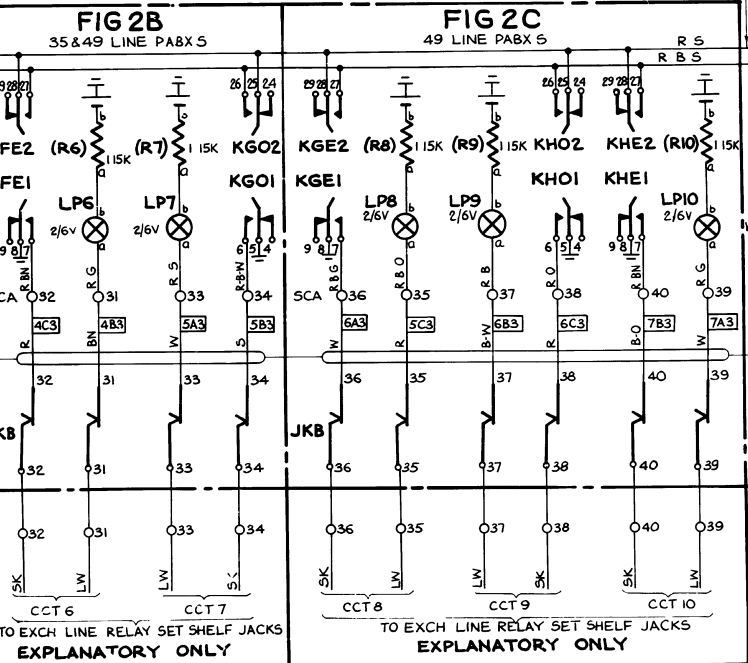
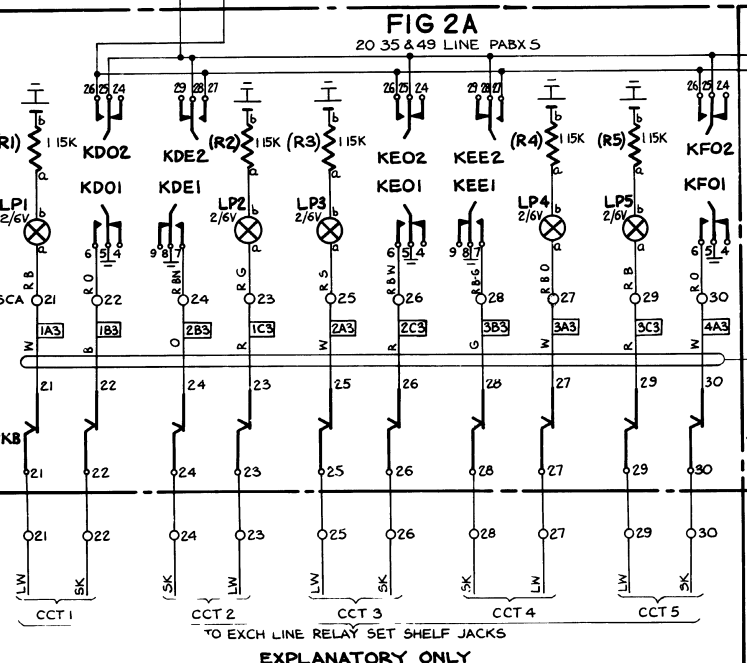
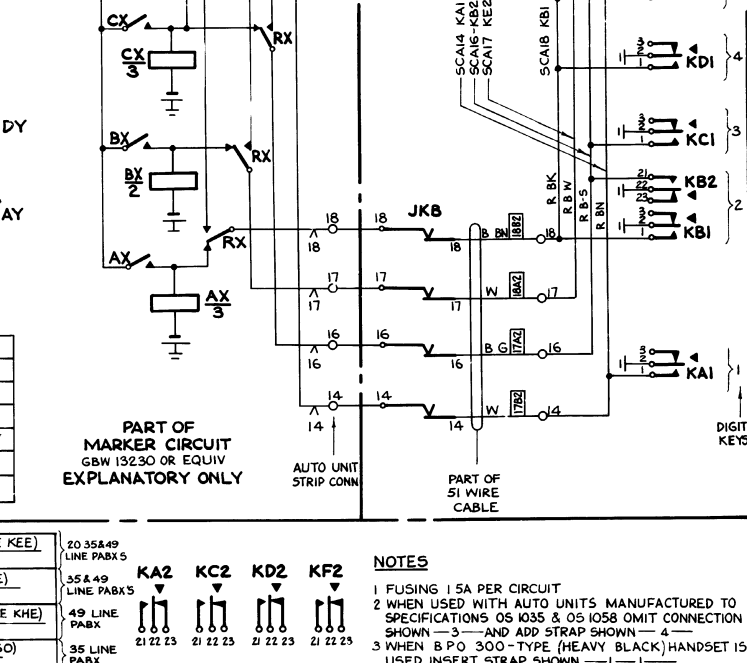
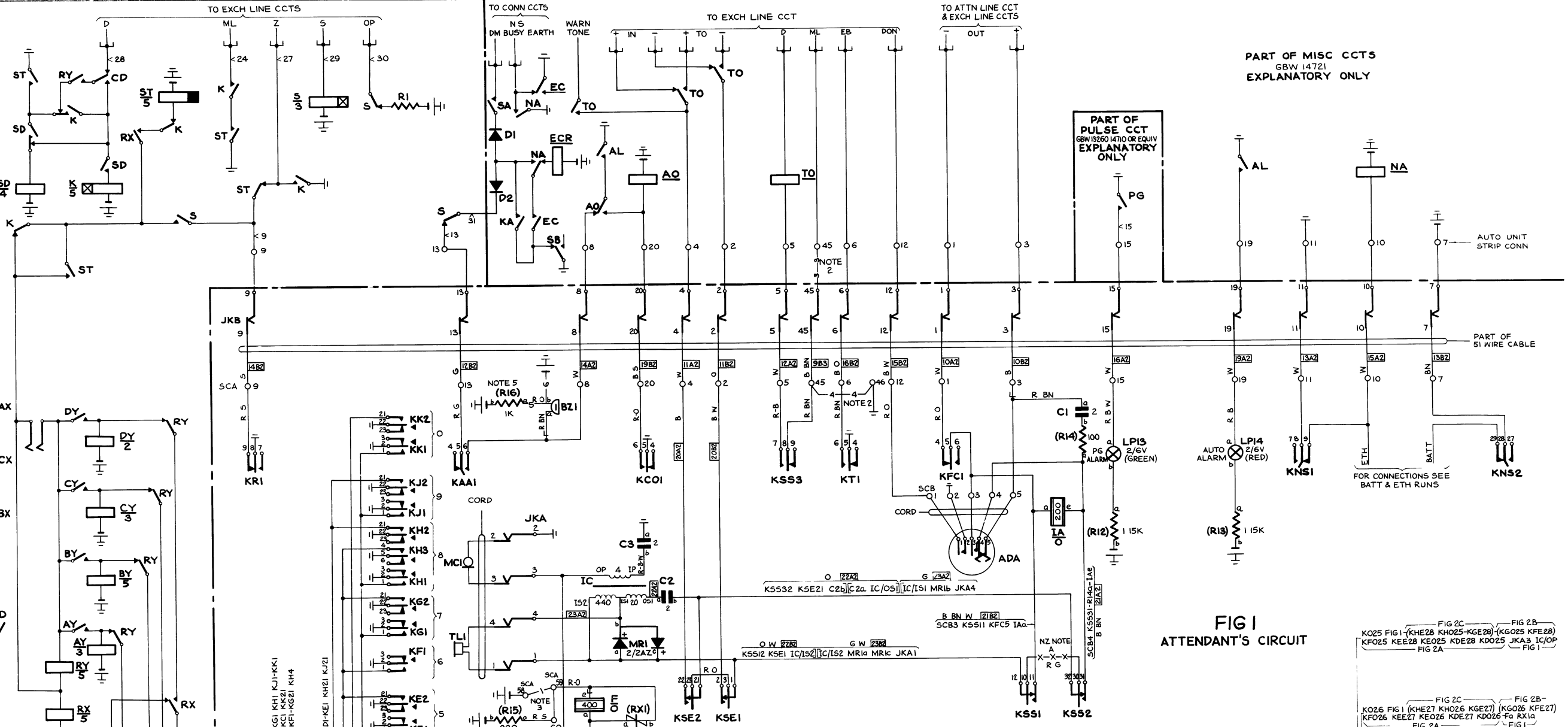
DIGIT	20 LINE PABX	35 LINE PABX	49 LINE PABX
1ST DIGIT	4	1	11
2	15	11	21
3	25	31	31
4	35	41	41
5	16	22	22
6	17	23	23
7	18	24	24
8	19	25	25
9	20	26	26
10	21	27	27
11	22	28	28
12	23	29	29
13	24	30	30



STORAGE CODE

FIRST DIGIT RELAYS	SECOND DIGIT RELAYS
1 CX	6 BX
2 AX CX	7 BX CX
3 CX	8 AX BX CX
4 AX	9 AX CX
5 AX BX	0 CX
	1 DY
	2 AY CY
	3 CY
	4 AY
	5 AY BY
	6 BY
	7 BY DY
	8 AY BY DY
	9 AY DY
	0 CY DY

EXCH LINE SPEAK (KDO KEO)	EXCH LINE SPEAK (KDE KEE)
EXCH LINE SPEAK (KFO)	EXCH LINE SPEAK (KFE)
EXCH LINE SPEAK (KGO KHO)	EXCH LINE SPEAK (KGE KHE)
EXCH LINE SPEAK (KFO)	EXCH LINE SPEAK (KGO)
0 LINE (KO)	ENGAGED TEST (KT)
SPEAK EXTN (KSS)	SPEAK EXCH (KSE)
NIGHT SERVICE (KNS)	AUDIBLE ALARM (KAA)
RELEASE (KR)	FLASH & CANCEL (KFC)
DIGIT 7 9 0 (KA KG KJ KK)	DIGIT 8 (KH)



ATTENDANTS CIRCUIT 20, 35 & 49 LINE PABX 5

REVISION	DATE	BY	APPD
REDRAWN	(157610)	SB	17.10.78 WJH
EXPLANATORY AMD TO SHOW GBW 14721		SA	27.2.74 GFE
NOTE 3 REINSTATED	(120229)	5	19.2.73 GFE
NOTE 3 REVISED	(99657)		

AMENDMENT PARTICULARS

ISSUE	DATE	APPD
1		

SIZE: A1 SVJ E

GBW 13242