

EXCH LINE SPEAK (KDO KHO) + EXCH LINE SPEAK (KDE KHE)	2
O LINE (KO)	2
ALARM CUT OFF (KCO)	2
SPEAK EXTN (KSS) + SPEAK EXTN (KSE)	4
NIGHT SERVICE (KNS) + AUDIBLE ALARM (KAA)	2
RELEASE (KR)	2
ENGAGED TEST (KT)	2

WIRING OF M BANK

DIGIT	20 LINE PABX	35 LINE PABX	49 LINE PABX
B WIRED TO OUTLET	4	1	1
1ST DIGIT	15	11	11
2	16	12	12
3	17	13	13
4	18	14	14
5	19	15	15
6	20	16	16
7	21	17	17
8	22	18	18
9	23	19	19
0	24	20	20
2ND DIGIT	25	21	21
1	26	22	22
2	27	23	23
3	28	24	24
4	29	25	25
5	30	26	26
6	31	27	27
7	32	28	28
8	33	29	29
9	34	30	30
0	35	31	31

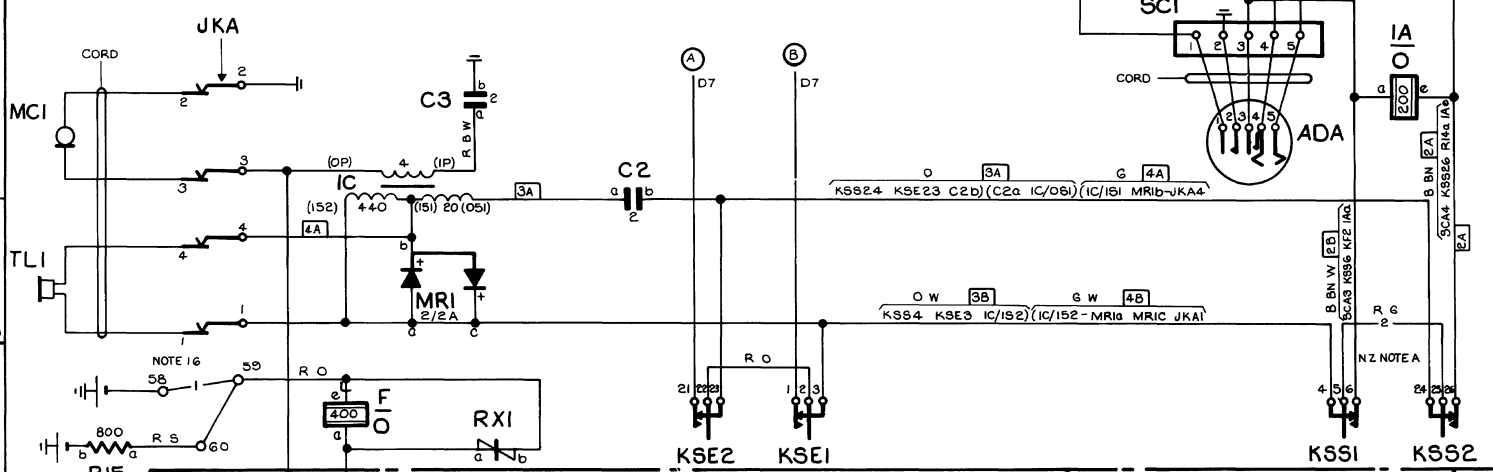
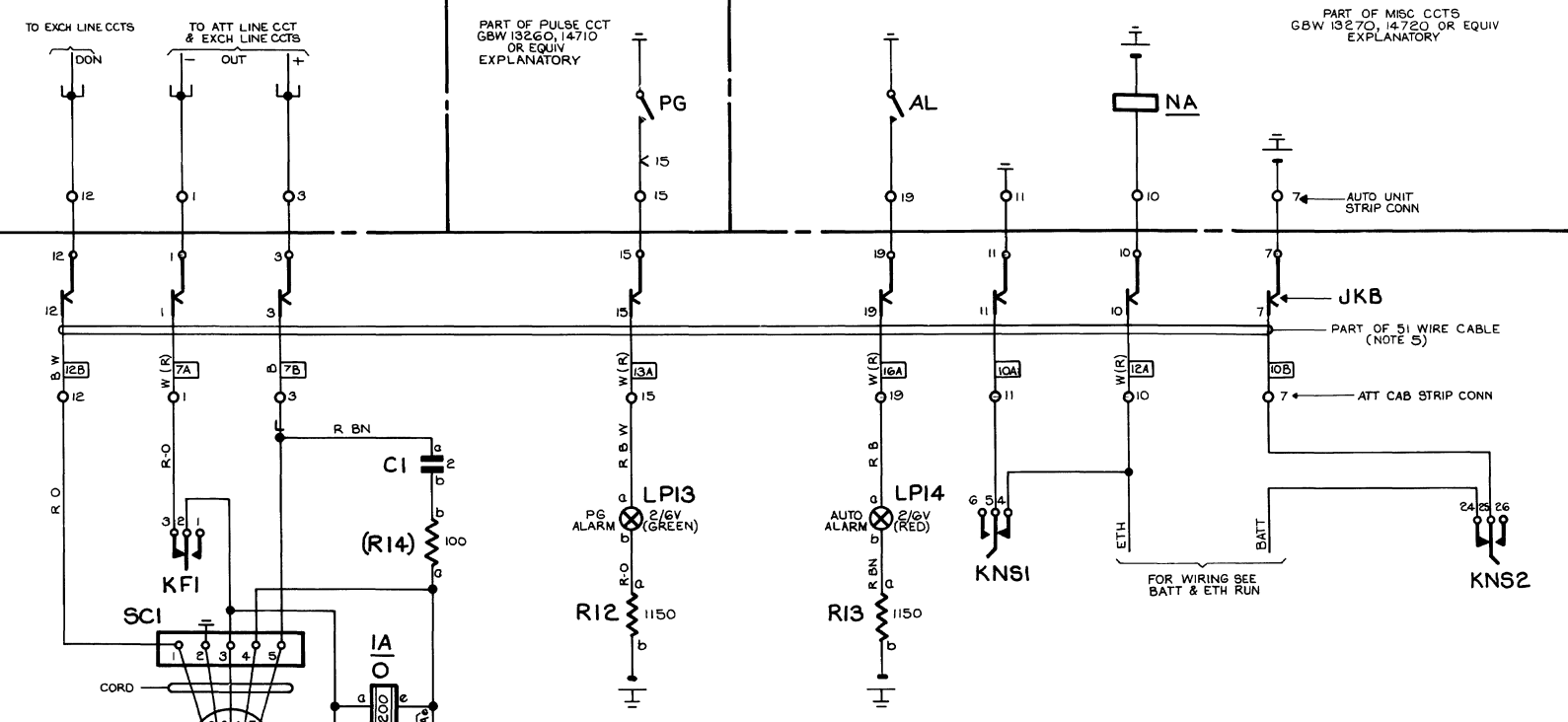
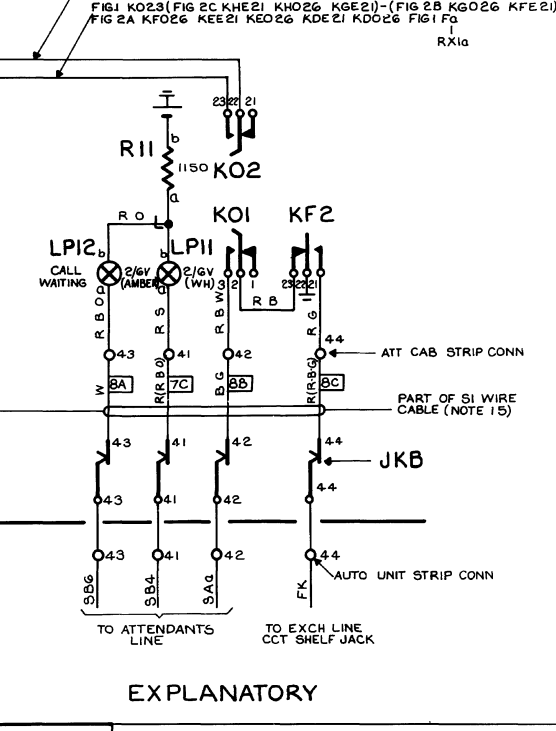
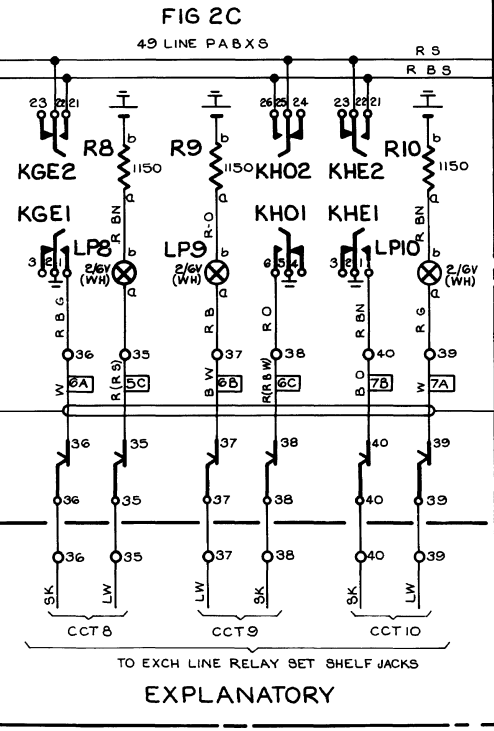
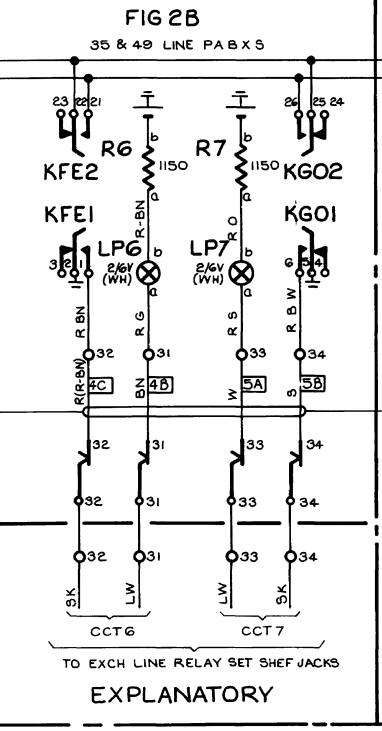
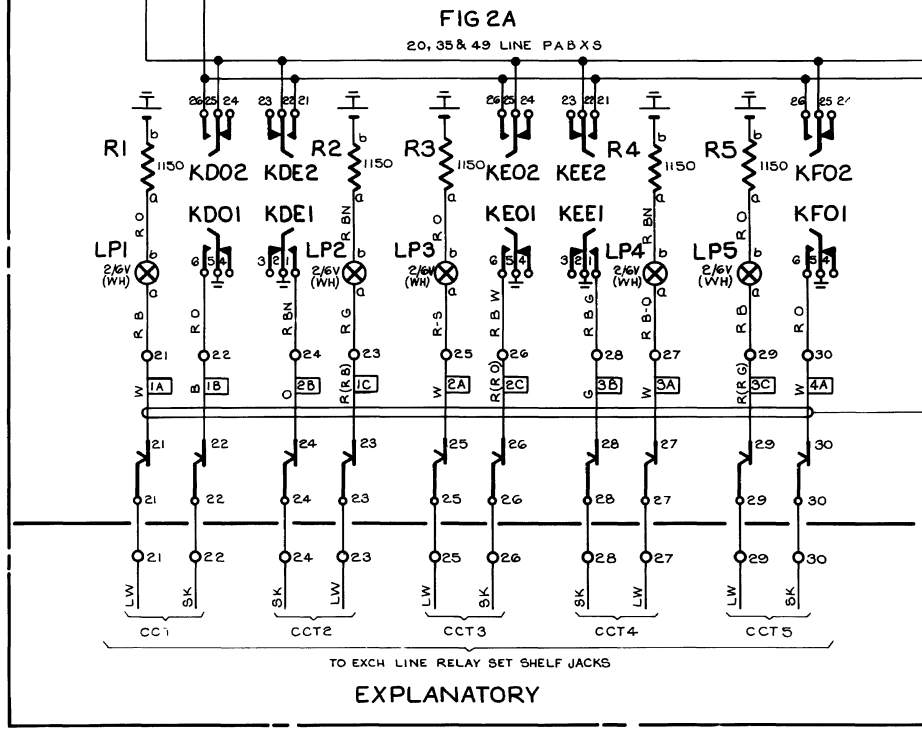


FIG 1 ATTENDANTS CIRCUIT



FOR NOTES SEE SHEET 1

PROOF

SUPERSEDED BY GBW 13242

50V W	<input type="checkbox"/> SLOW RELEASE	<input checked="" type="checkbox"/> SLOW OPERATE
ISS DATE	DEL/DC	ORDER/CKD/APD
DRN 58 SECT	CKD	ORIGIN 58 SECT
TCD A G	APPD	STANDARD ATW 22001
NZPO ENGINEER IN CHIEF, WELLINGTON		
	SHT 2 of 2	GBW 13241
	SIZE A1	

ATTENDANTS CIRCUIT  
20, 35 & 49  
LINE PABX'S

