

FIG 5  
MDF

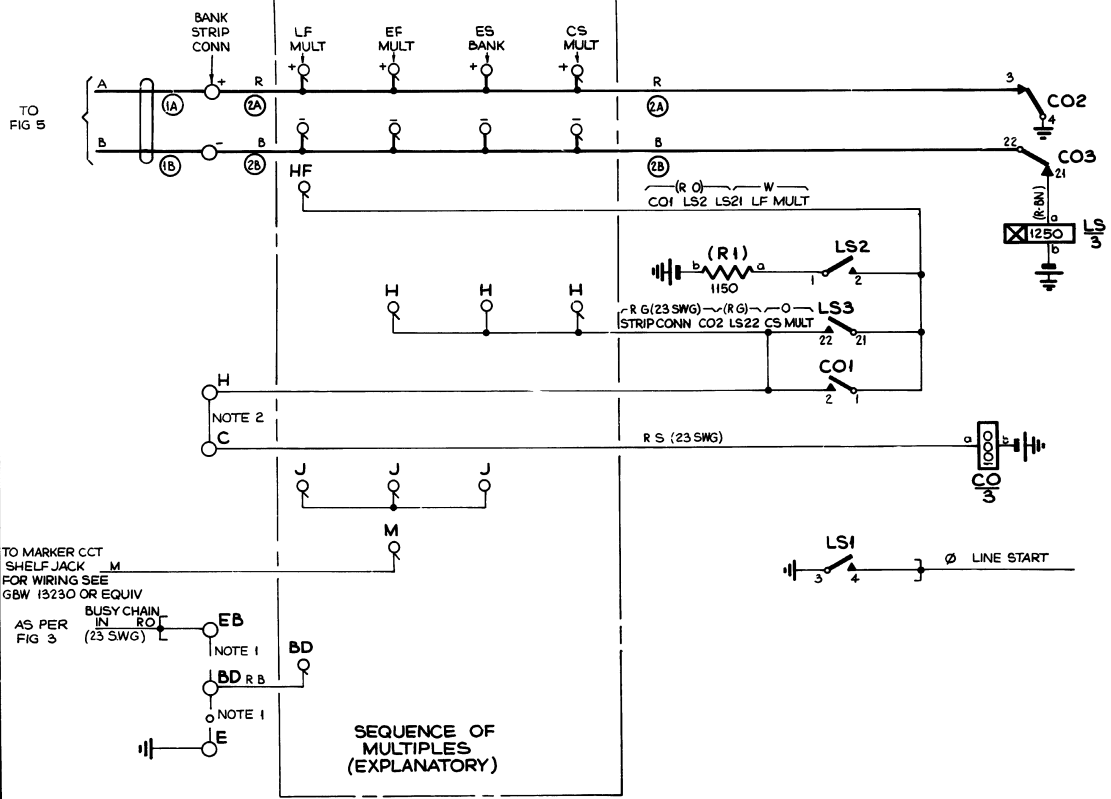


FIG 1  
NORMAL EXTENSION LINE  
(20 LINE PABX)

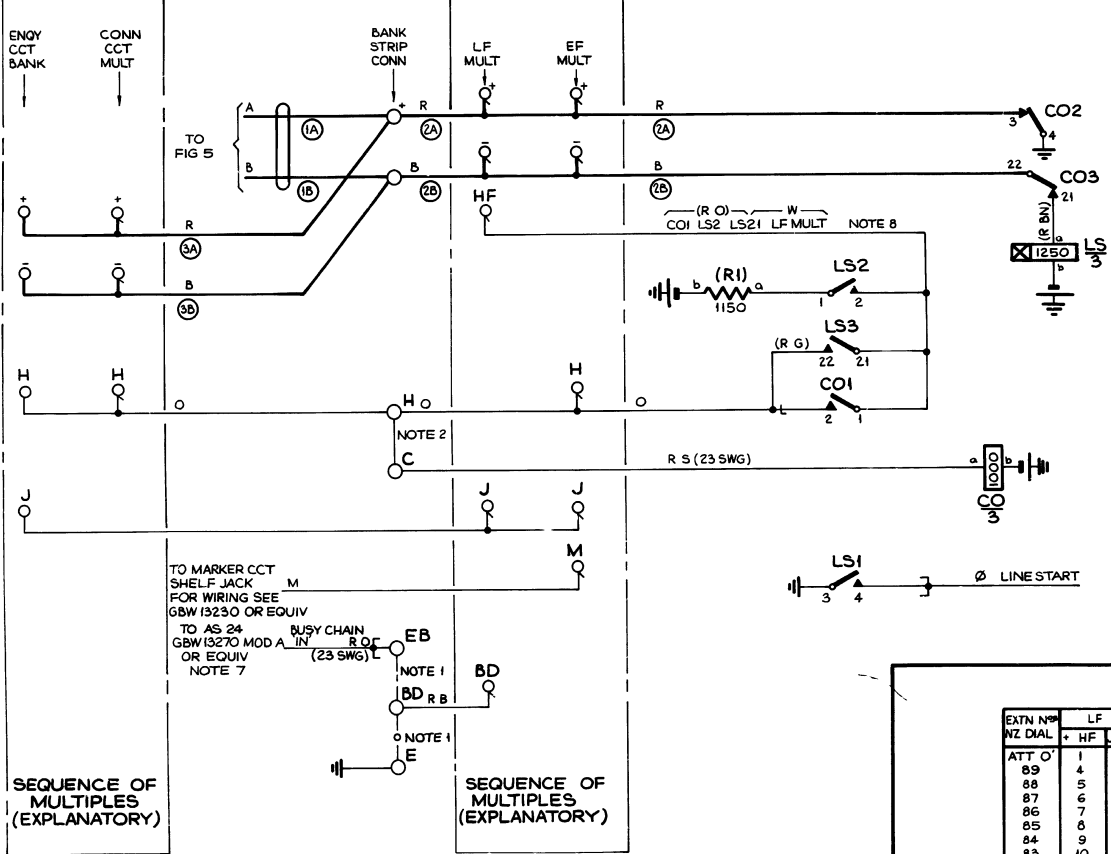


FIG 3  
NORMAL EXTENSION LINE  
(35/49 LINE PABX)

- NOTES -
- FOR EXTENSIONS BARRED DIRECT ACCESS TO MAIN EXCHANGE CUT STRAPS SHOWN AND ADD STRAPS SHOWN
  - CUT STRAPS H C ON UNALLOTTED LINES
  - FOR WIRING OF LEADS MARKED Ø SEE RELEVANT COMMON SERVICE DIAGRAM
  - ALL WIRING TO BE 25 SWG UNLESS OTHERWISE SPECIFIED. PLATE STRAPPING TO BE 23 OR 25 SWG IF 25 SWG IS USED COLOURS IN BRACKETS TO BE DISREGARDED.
  - FUSE 1.5A PER IO CCTS
  - GBW NUMBERS SHOWN IN BRACKETS REFER TO EQUIPMENTS MANUFACTURED TO SPECIFICATIONS OS1035 & OS1058
  - WHEN BARRED EXTNS ARE PERMITTED TO ESTABLISH DIAL 3 CALLS AS4 ONLY IS WIRED TO EB TAG CS 22 IS WIRED DIRECT TO CONN CCT BANK OUTLETS
  - ON SOME 35 LINE SYSTEMS THE HF MULT WIRING IS BROWN INSTEAD OF WHITE

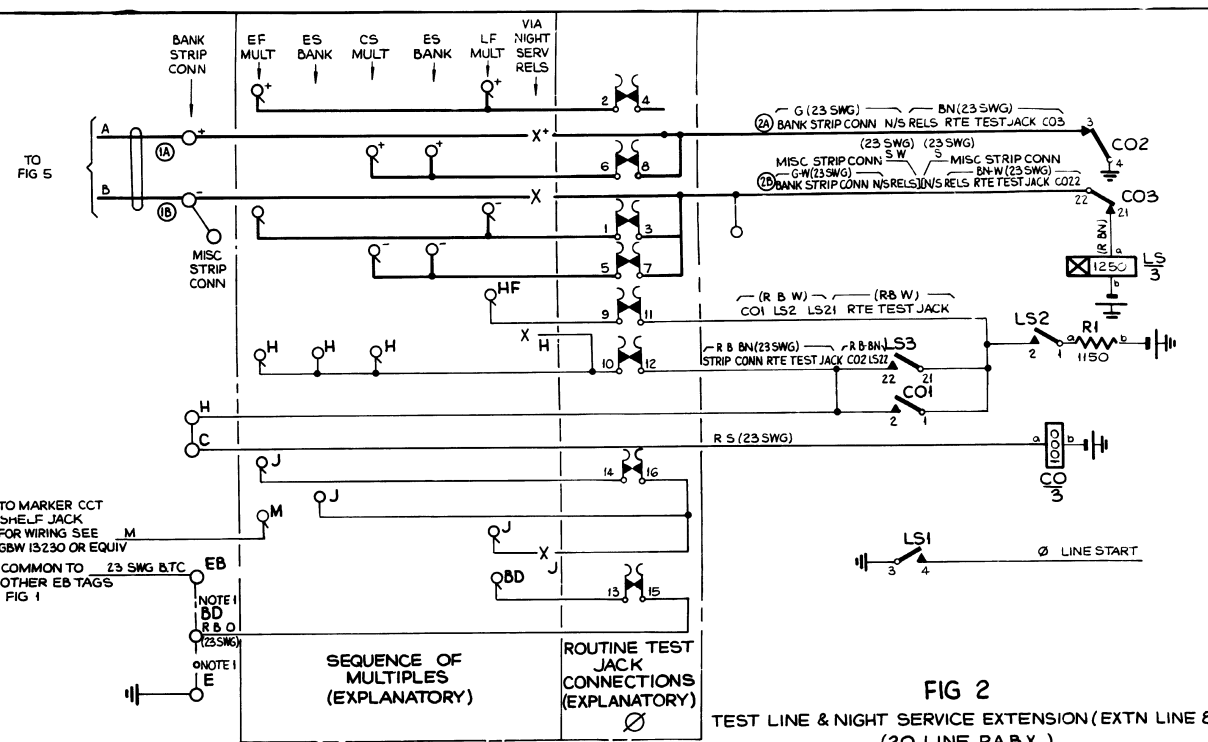
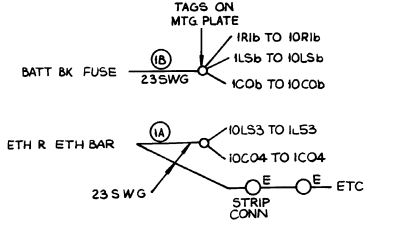


FIG 2  
TEST LINE & NIGHT SERVICE EXTENSION (EXTN LINE 89)  
(20 LINE PABX)

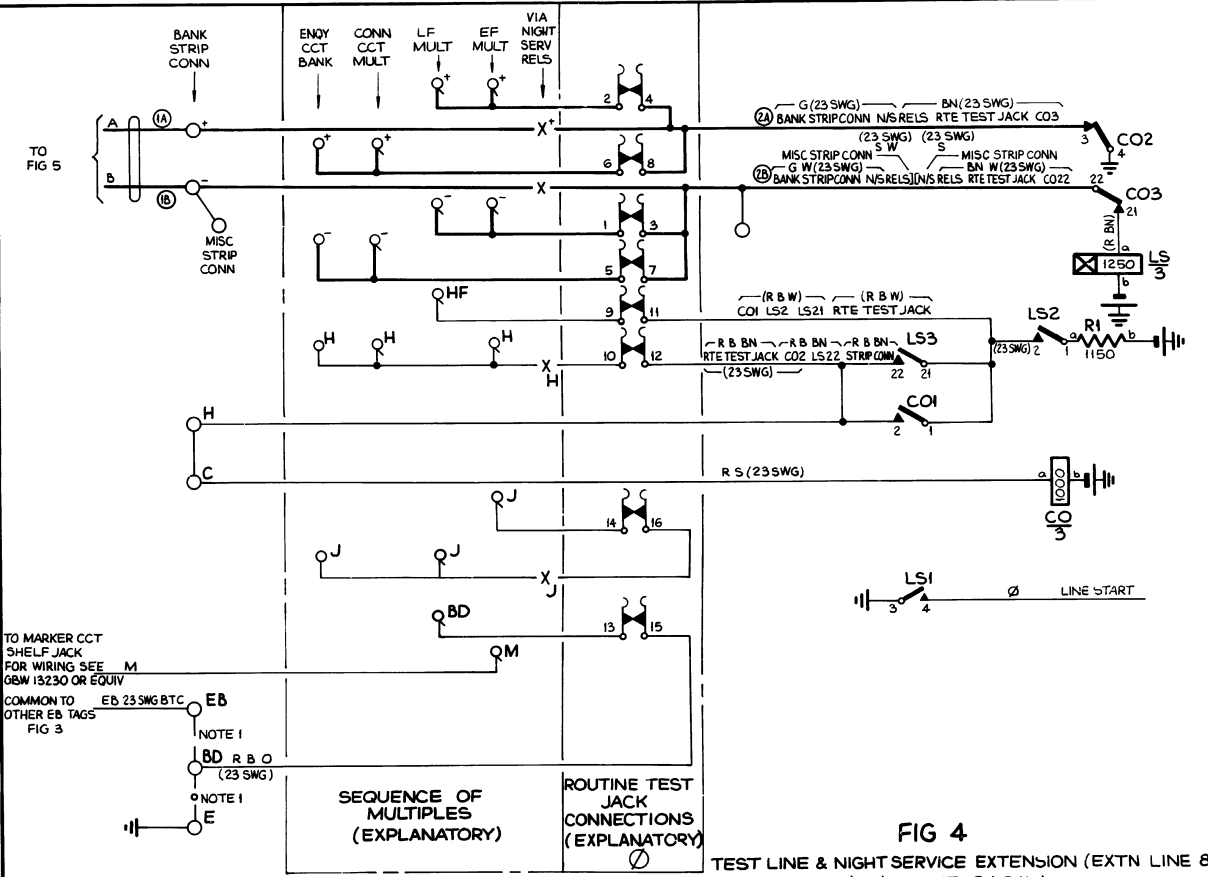


FIG 4  
TEST LINE & NIGHT SERVICE EXTENSION (EXTN LINE 89)  
(35/49 LINE PABX)

OUTLETS TO BE MULTIPLIED & WIRED

EXTN N°	20 LINE PABX					35 & 49 LINE PABX				
	LF	CS	ES	EF	M	LF	CS	ES	EF	M
ATT 89	4	4	4	4	4	4	4	4	4	4
88	5	5	5	5	5	5	5	5	5	5
87	6	6	6	6	6	6	6	6	6	6
86	7	7	7	7	7	7	7	7	7	7
85	8	8	8	8	8	8	8	8	8	8
84	9	9	9	9	9	9	9	9	9	9
83	10	10	10	10	10	10	10	10	10	10
82	11	11	11	11	11	11	11	11	11	11
81	12	12	12	12	12	12	12	12	12	12
80	13	13	13	13	13	13	13	13	13	13
79	15	15	15	15	15	15	15	15	15	15
78	16	16	16	16	16	16	16	16	16	16
77	17	17	17	17	17	17	17	17	17	17
76	18	18	18	18	18	18	18	18	18	18
75	19	19	19	19	19	19	19	19	19	19
74	20	20	20	20	20	20	20	20	20	20
73	21	21	21	21	21	21	21	21	21	21
72	22	22	22	22	22	22	22	22	22	22
71	23	23	23	23	23	23	23	23	23	23
70	24	24	24	24	24	24	24	24	24	24

EXTENSION LINE CIRCUITS  
20 & 35/49 LINE PABX's  
HAVING OUT SERVICE ON TWO ROUTES (DIAL 1 & 3)

RETRACTED FROM ISS C OF 6-9-67 NOTE 8 ADDED (122099) D 21 11 73 GFE  
(8263) A 7 11 57 C.N.C.

AMENDMENT PARTICULARS ISSUE DATE APPD

SIZE A1 50V W

GBW 13210 MOD A

NZ PO DRAWN CHECKED WIRING CIRCUIT