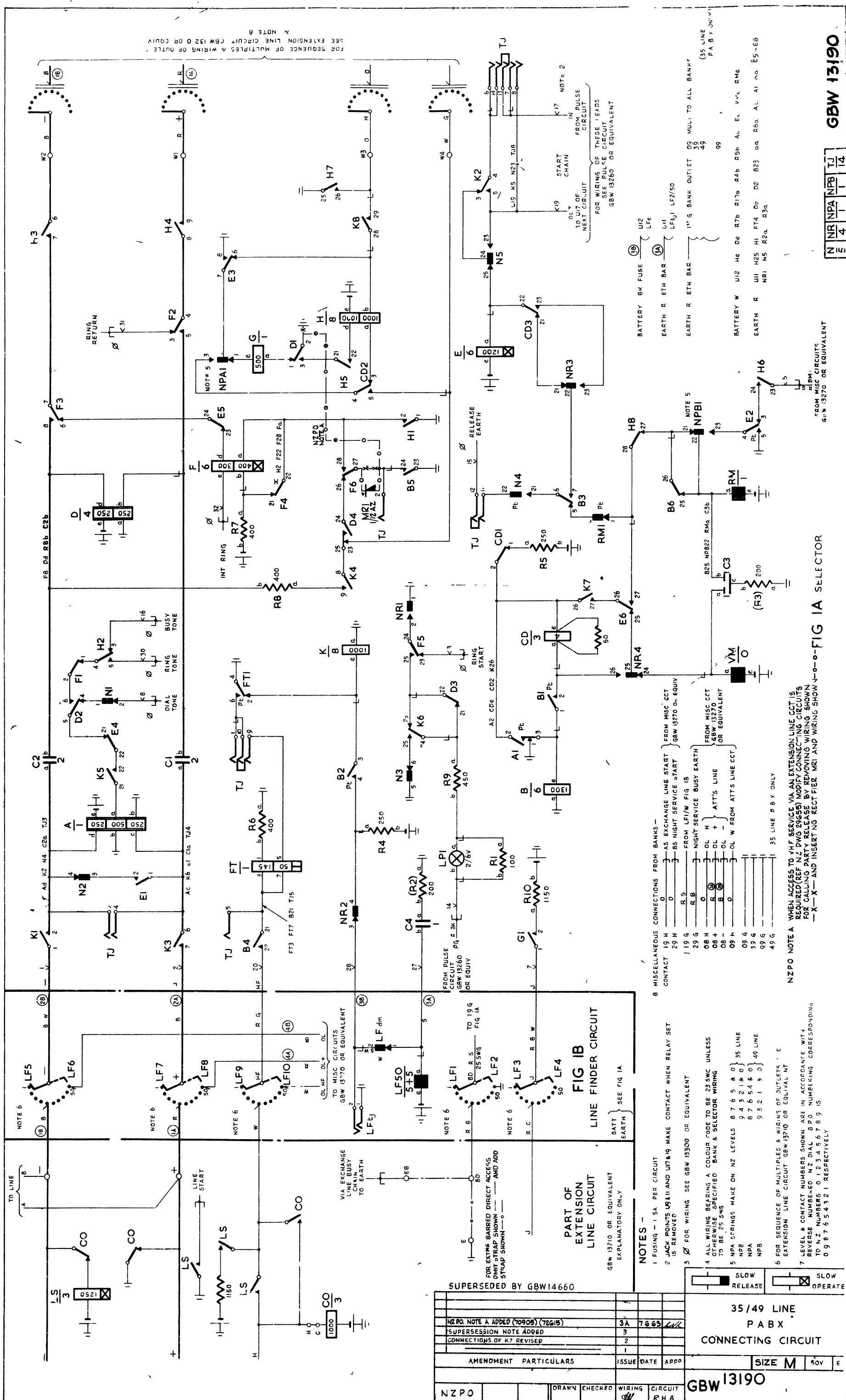


52  
 DL 52  
 5  
 J



FOR SEQUENCE OF MULTIPLES & WIRING OF OUTLET  
 SEE EXTENSION LINE CIRCUIT GBW 1320 OR EQUIV  
 \* NOTE 8

FOR WIRING OF THESE LEADS  
 TO U17 OF NEXT CIRCUIT  
 ONLY  
 FROM PULSE CIRCUIT  
 SEE GBW 13260 OR EQUIVALENT

BATTERY BK FUSE (18) UI2 LFe  
 EARTH R ETH BAR (21) UII LFe, j LF2/50  
 EARTH R ETH BAR (22) 1st G BANK OUTLET 09 MULI TO ALL BANKS  
 BATTERY W UI2 He De R7b R17b R4b R5h A. E. v. L. RM8  
 EARTH R UII H25 HI FT4 Do D2 B83 Da R6a AL AI Na E5-EB  
 NRI N5 R2a R3a

FROM MISC CIRCUITS  
 GBW 13270 OR EQUIVALENT

NOTE 5  
 NPBI

NOTE 6  
 LFS, LF6, LF7, LF8, LF9, LF10, LF50, LF1, LF2, LF3, LF4

NOTE 7  
 L1, L2, L3, L4, L5, L6, L7, L8, L9

NOTE 8  
 MISCELLANEOUS CONNECTIONS FROM BANKS -  
 CONTACT 19 H AS EXCHANGE LINE START FROM MISC CCT  
 CONTACT 29 H AS NIGHT SERVICE START GBW 13270 OR EQUIV  
 CONTACT 29 G FROM LF1/W FIG 1B  
 CONTACT 29 B NIGHT SERVICE BUSY EARTH  
 CONTACT 08 H FROM MISC CCT GBW 13270 OR EQUIVALENT  
 CONTACT 08 + ATT'S LINE  
 CONTACT 08 - ATT'S LINE  
 CONTACT 09 H OL W FROM ATT'S LINE CCT  
 CONTACT 33 G  
 CONTACT 49 G 35 LINE P B X ONLY

NOTE 9  
 WHEN ACCESS TO VHF SERVICE VIA AN EXTENSION LINE CCT IS  
 REQUIRED (REF NZ DWG 29055) MODIFY CONNECTING CIRCUITS  
 FOR CALLING PARTY RELEASE BY REMOVING WIRING SHOWN  
 -X- AND INSERTING RECTIFIER MRI AND WIRING SHOWN

NOTE 10  
 NZPO NOTE A

SUPERSEDED BY GBW14660

NZPO	DRAWN	CHECKED	WIRING	CIRCUIT	GBW 13190
			RHA		

AMENDMENT PARTICULARS		ISSUE	DATE	APPRO
NZPO NOTE A ADDED (70905) (72615)		3A	7.6.63	
SUPERSESION NOTE ADDED		3		
CONNECTIONS OF K7 REVISER		2		

35/49 LINE  
 PABX  
 CONNECTING CIRCUIT  
 SIZE M 50V E

GBW 13190  
 N NR NPA NPB TJ TJ  
 E 4 1 1 14