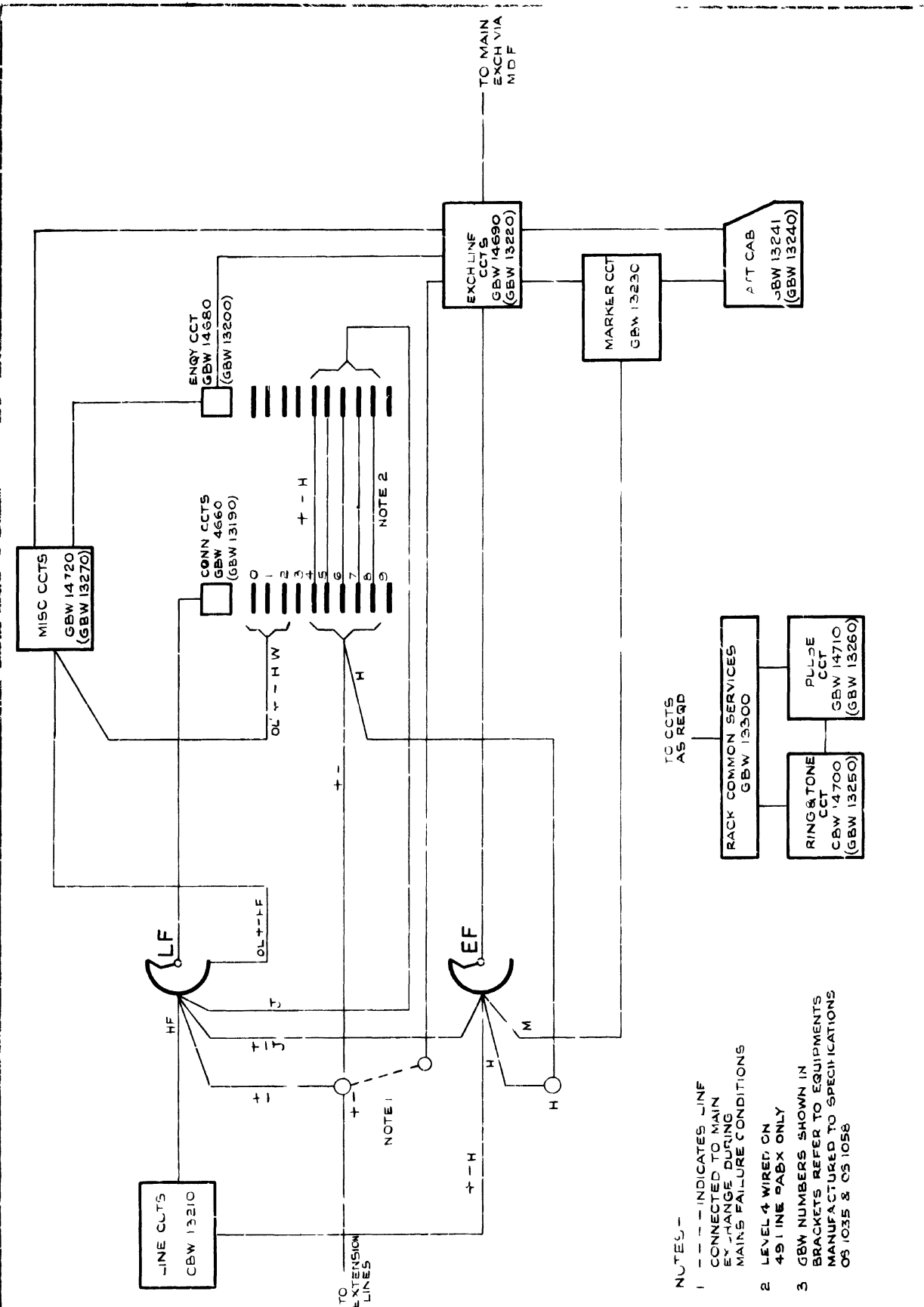


0 5 Centimetres 10 15 20 25 30



TO CCTS AS REQD

- NOTES:-
- INDICATES LINE CONNECTED TO MAIN EX-CHANGE DURING MAINS FAILURE CONDITIONS
 - LEVEL 4 WIRED ON 49 LINE PABX ONLY
 - GBW NUMBERS SHOWN IN BRACKETS REFER TO EQUIPMENTS MANUFACTURED TO SPECIFICATIONS OF 1035 & CS 1058

NOTE 3 AMENDED (68013) 3 11 10 56.25

ALTERNATIVE GBW NUMBERS & NOTE 3 ADDED

AMENDMENT PART LIA

TRUNKING DIAGRAM
35/49 LINE PABX

GBW 13180

SIZE