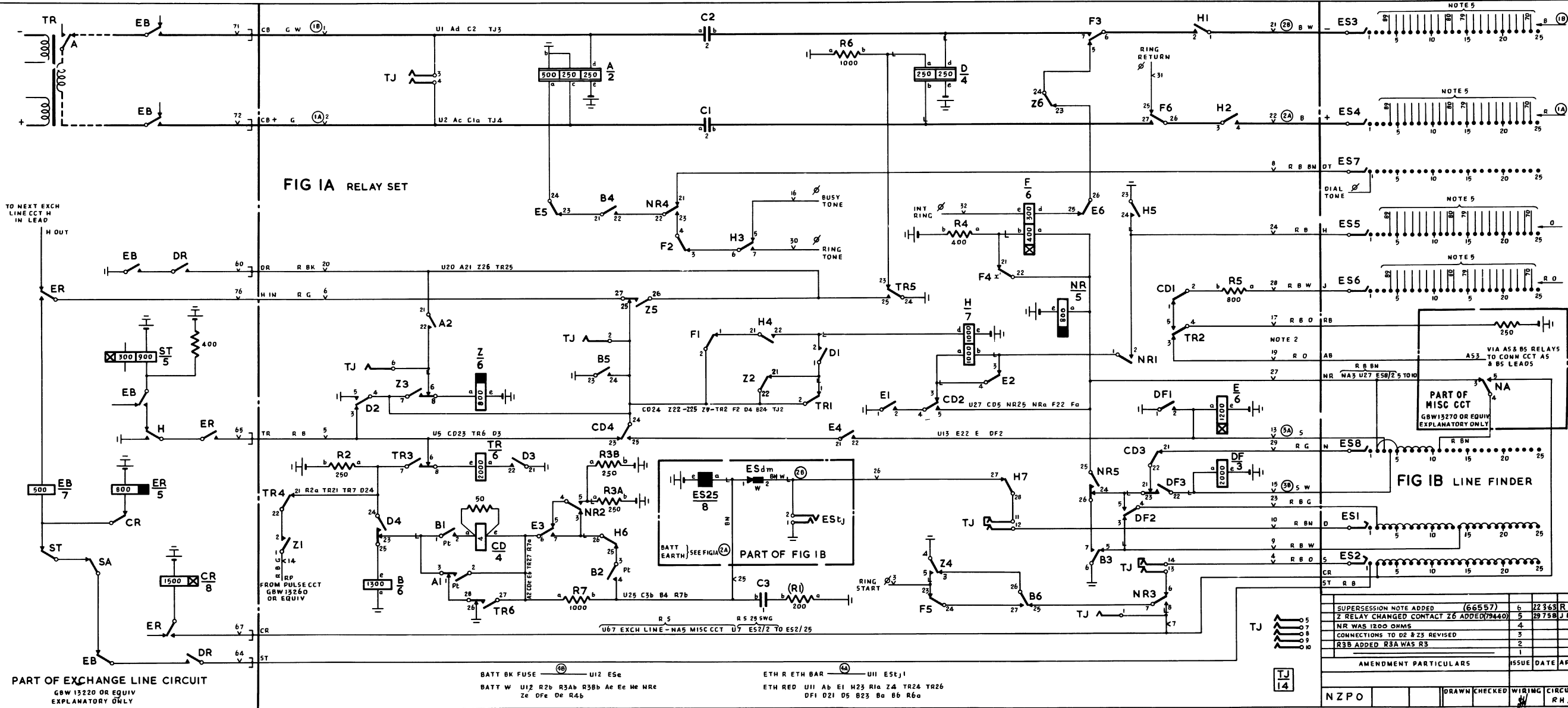


0
 5
 10
 15
 20
 25

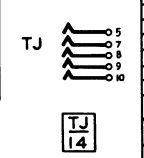


- NOTES**
- 1 FUSE 1 5A PER CCT
 - 2 SHLEF JACK POINTS U9 H & U17A 19 MAKE CONTACT WHEN RELAY SET IS REMOVED
 - 3 Ø FOR WIRING SEE GBW13280 OR EQUIV
 - 4 ALL WIRING TO BE 23 SWG UNLESS OTHERWISE SPEC'D RELAY SET AND UNISELECTOR BANK WIRING TO BE 25 SWG UNISELECTOR BANK STRAPPING TO BE 23 SWG B.T.C. ON ADJACENT CONTACTS AND 23 SWG B.T.C. AND SLEEVING ON NON ADJACENT CONTACTS WHEN NOT INCLUDED IN THE RACK CABLE
 - 5 FOR SEQUENCE OF MULTIPLES & WIRING OF OUTLETS SEE EXTENSION LINE CCT GBW13210 OR EQUIV

PART OF EXCHANGE LINE CIRCUIT
 GBW 13220 OR EQUIV
 EXPLANATORY ONLY

BATT BK FUSE (4B) — U12 E5e
 BATT W U12 R2b R3Ab R3Bb Ae Ae Me MRc
 Ze Dfe De R4b

ETH R ETH BAR (4A) — U11 Estj1
 ETH RED U11 Ab E1 H23 R1a Z4 TR24 TR26
 DF1 D21 D5 B23 Ba B6 R6a



SUPERSESION NOTE ADDED (66557)			
2 RELAY CHANGED CONTACT Z6 ADDED (79440)	5	29738	J P L
NR WAS 1200 OHMS	4		
CONNECTIONS TO D2 & D3 REVISED	5		
R3B ADDED R3A WAS R3	2		
	1		
AMENDMENT PARTICULARS			
ISSUE	DATE	APP'D	
NZPO		DRAWN	CHECKED
		WIRING	CIRCUIT
			RHA

SUPERSEDED BY GBW14670

SLOW RELEASE SLOW OPERATE

20 LINE PABX ENQUIRY CIRCUIT

SIZE L 50V E

GBW 13170