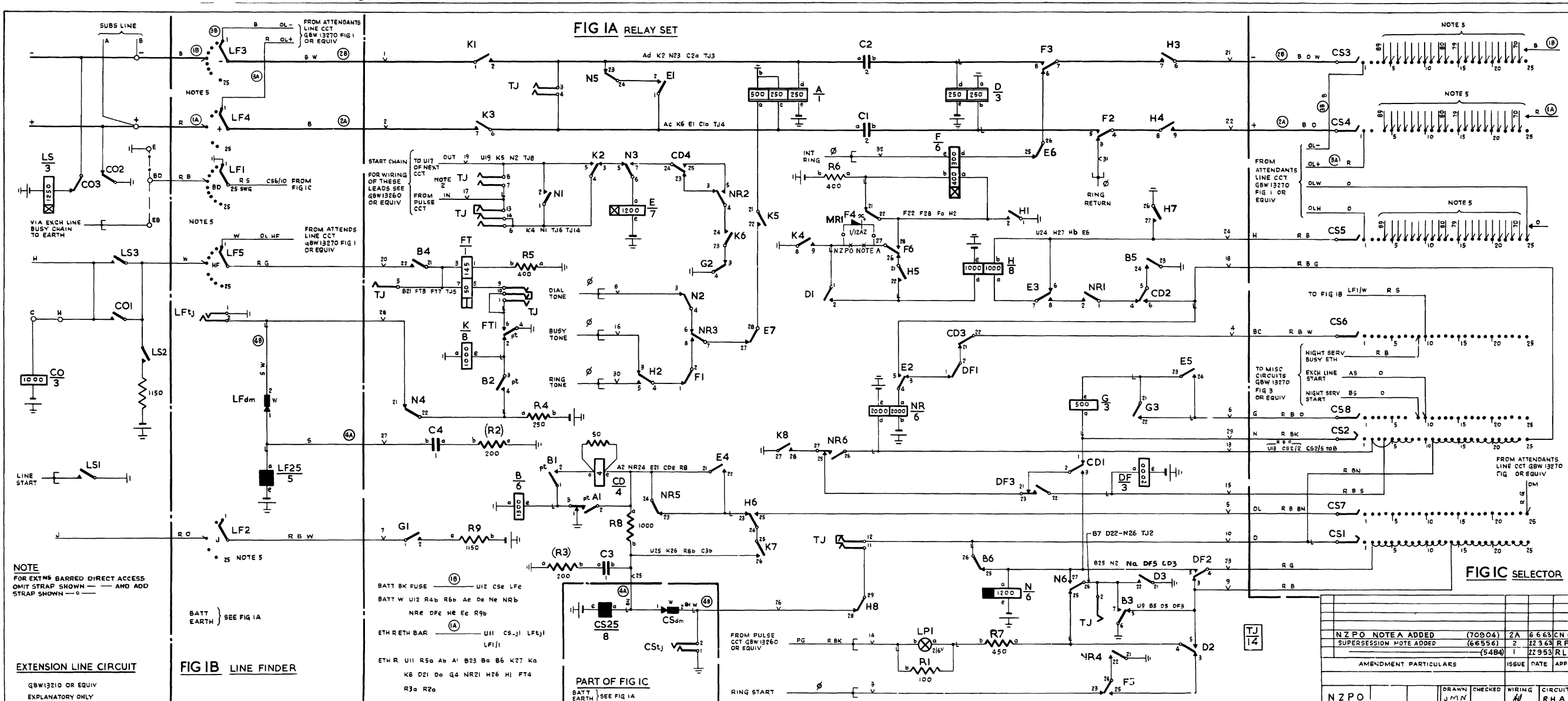


10  
 20  
 30  
 40  
 50  
 60  
 70  
 80  
 90  
 100  
 110  
 120  
 130  
 140  
 150  
 160  
 170  
 180  
 190  
 200  
 210  
 220  
 230  
 240  
 250  
 260  
 270  
 280  
 290  
 300  
 310  
 320  
 330  
 340  
 350  
 360  
 370  
 380  
 390  
 400  
 410  
 420  
 430  
 440  
 450  
 460  
 470  
 480  
 490  
 500



- NOTES**
- 1 FUSE 1.5A PER CCT
  - 2 JACK POINTS U9 & 11 & U16 19 MAKE CONTACT WHEN RELAY SET IS REMOVED
  - 3 Ø FOR WIRING SEE GBW 13280 OR EQUIV
  - 4 ALL WIRING NOT OTHERWISE SPECIFIED TO BE 23 SWG UNISELECTOR BANK WIRING AND RELAY SET WIRING TO BE 25 SWG UNISELECTOR BANK STRAPPING TO BE 23 SWG B.T.C. ON ADJACENT CONTACTS OR 23 SWG B.T.C. AND SLEEVING ON NON ADJACENT CONTACTS WHEN NOT INCLUDED IN THE RACK CABLE
  - 5 FOR SEQUENCE OF MULTIPLES AND WIRING OF OUTLETS SEE EXTENSION LINE CCT GBW 13210 OR EQUIV
- N Z P O  
 NOTE A WHEN ACCESS TO V.H.F. SERVICE VIA AN EXTENSION LINE CCT IS REQUIRED MODIFY CONNECTING CTS FOR CALLING PARTY RELEASE BY REMOVING WIRE SHOWN AND INSERTING RECTIFIER M.R.I. AND WIRING SHOWN

**NOTE**  
 FOR EXT. BARRER DIRECT ACCESS OMIT STRAP SHOWN AND ADD STRAP SHOWN

**EXTENSION LINE CIRCUIT**  
 GBW 13210 OR EQUIV  
 EXPLANATORY ONLY

**FIG 1B LINE FINDER**

BATT BK FUSE U12 C5e LFe  
 BATT W U12 R4b R6b Ae De Ne NRb  
 NRE DPe HE Ee R9b  
 ETH RETH BAR U11 C5-11 LFTJ1 LFI11  
 ETH R U11 R5a Ab A1 B23 Ba B6 K27 Ka  
 K8 D21 Da G4 NR21 H26 HI FT4  
 R3a R2e

**PART OF FIG 1C**  
 BATT EARTH SEE FIG 1A

SUPERSEDED BY GBW 14650

<input type="checkbox"/>	SLOW RELEASE	<input type="checkbox"/>	SLOW OPERATE
--------------------------	--------------	--------------------------	--------------

**20 LINE PAB X  
 CONNECTING CIRCUIT**

N Z P O	NOTE A ADDED	(70904)	2A	6 6 3	C N C
	SUPERSESSION NOTE ADDED	(66556)	2	22 3 63	R P
		(5484)	1	22 9 53	R L G

AMENDMENT PARTICULARS

ISSUE	DATE	APPR
-------	------	------

**GBW 13160**

N Z P O	DRAWN	CHECKED	WIRING	CIRCUIT
	J M N		R H A	