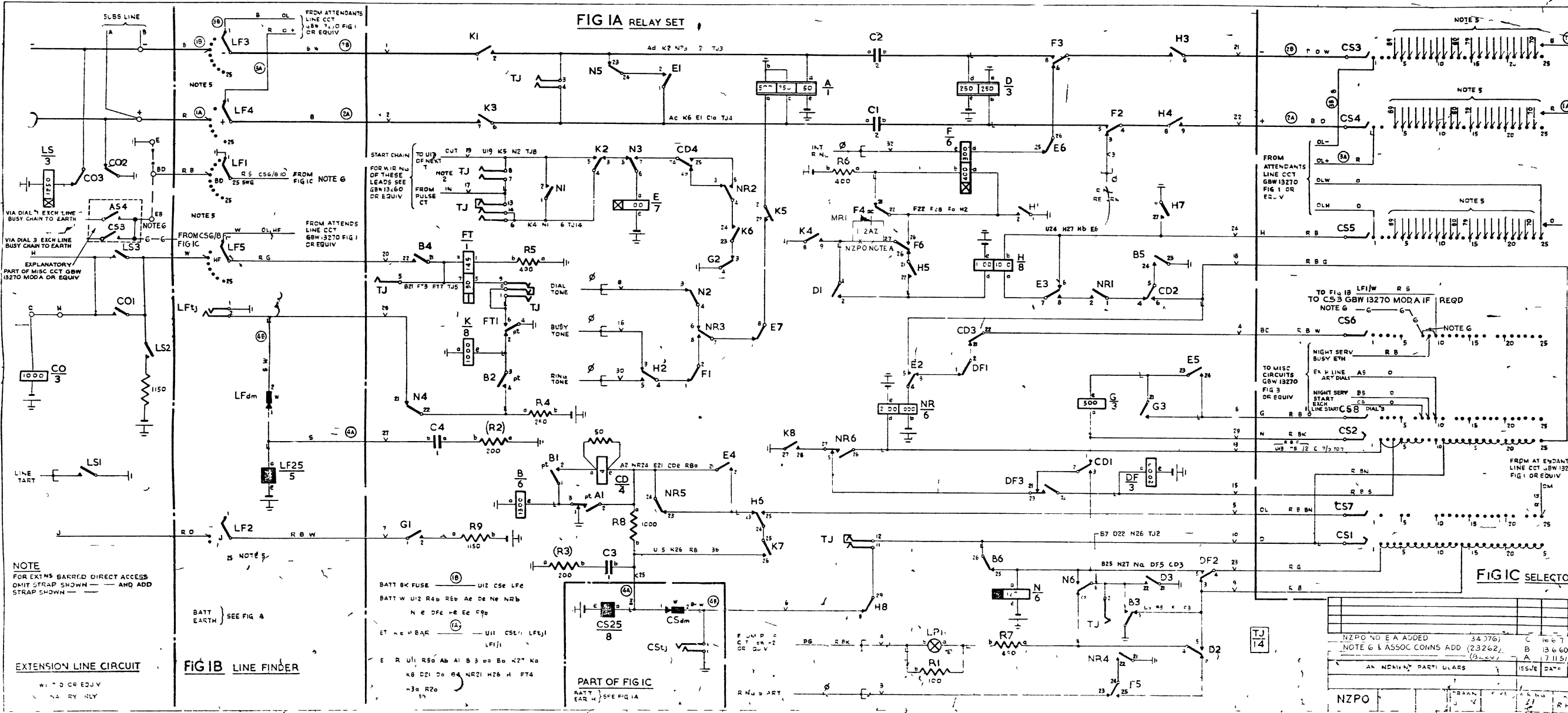


**FIG 1A RELAY SET**



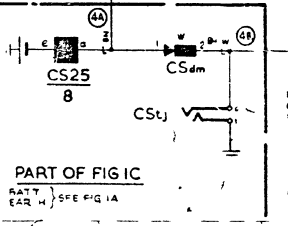
- NOTES**
- 1 FUSE 1.5A PER CCT
  - 2 JACK POINTS U9 & U11 & U12 MAKE CONTACT WHEN RE-SET IS REMOVED
  - 3 Ø FOR WIRING SEE GBW 13280 OR EQUIV
  - 4 ALL WIRING NOT OTHERWISE SPECIFIED TO BE 23 SWG UNISELECTOR BANK STRAPPING AND RELAY SET WIRING TO BE 25 SWG UNISELECTOR BANK STRAPPING TO BE 23 SWG B.T.C. ON ADJACENT CONTACTS OR 23 SWG B.T.C. AND SLEEVING ON NON ADJACENT CONTACTS WHEN NOT INCLUDED IN THE RACK CABLE
  - 5 FOR SEQUENCE OF MULTIPLE AND WIRING OF COILS SEE EXTENSION LINE CCT GBW 13210 OR EQUIV
  - 6 WHEN ACCESS TO DIAL 3 ROUTE BY BARRED EXTENSIONS IS REQD PROVIDE CONNS SHOWN - G - G - OMIT STRAP BETWEEN CS3 & AS4 MISC SERVICES GBW 13270 MODA OR EQUIV AND ALSO BETWEEN TERMS B&10 OF CS6 BANK
- NZPO  
NOTE A WHEN ACCESS TO VHF SERVICE VIA AN EXTENSION ONE C.T. IS REQUIRED MODIFY CONNECTING CTS FOR CALLING PARTY RELEASE BY REMOVING WIRING SHOWN X AND INSERTING RECTIFIER MRI AND WIRING SHOWN O

**NOTE**  
FOR EXTNS BARRED DIRECT ACCESS OMIT STRAP SHOWN - - AND ADD STRAP SHOWN - -

**EXTENSION LINE CIRCUIT**  
W1 0 OR EQUIV  
W2 BY NLY

**FIG 1B LINE FINDER**

- BATT BK FUSE (10) U12 CSE LFE  
BATT W U12 R4b R5b Ae De Ne NRb  
N E DFE H E Ee C9p  
ET H E H BAR (1A) U11 CSE LFE LFI1
- E R U1 R5b Ab Al B 3 00 Bc K2\* Kc  
N8 C21 Dc 64 NR21 H26 H PT4  
-3a R2a



**FIG 1C SELECTOR**

20 LINE P&X CONNECTING CIRCUIT HAVING OUT SERVICE ON TWO ROUTES (DIAL 1&3)	
NZPO NO EA ADDED (34376)	C 10 6 7
NOTE G & ASSOC CONNS ADD (23262)	B 13 6 60 V.C
	A 7 11 51 CNC
AN NOMIN PARTI ULARS	ISSUE DATE
NZPO	RHA

SIZE L BY L  
**GBW 13160 MODA**

0 5 Centimetres 10 15 20 25 30 35 40 45 50 55 60