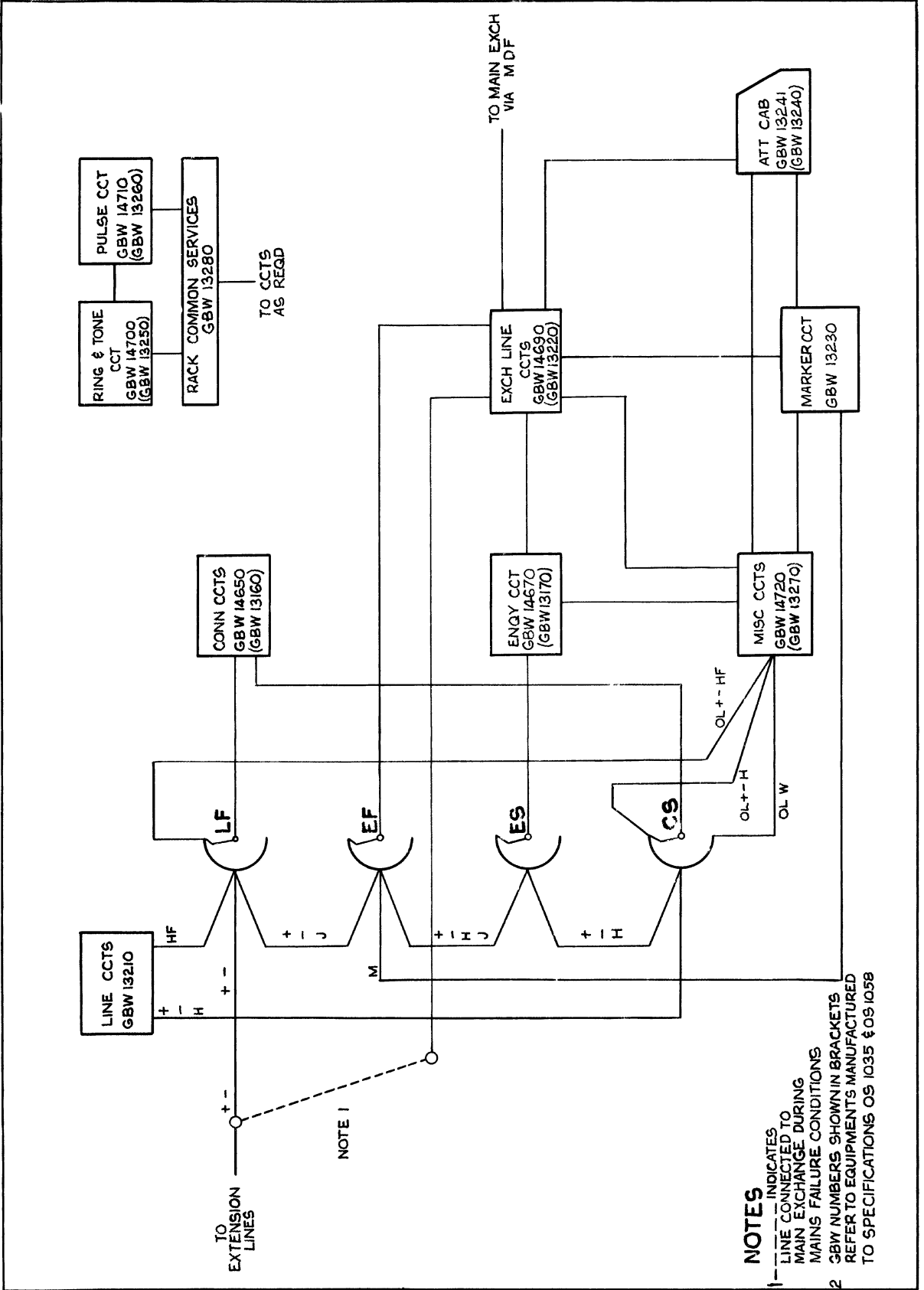


0 5 Centimetres 10 15 20 25 30



NOTES
 1 - INDICATES LINE CONNECTED TO MAIN EXCHANGE DURING MAINS FAILURE CONDITIONS
 2 - GBW NUMBERS SHOWN IN BRACKETS REFER TO EQUIPMENTS MANUFACTURED TO SPECIFICATIONS OS 1035 & OS 1058

TRUNKING DIAGRAM				
20 LINE PABX				
NOTE 2 AMENDED	(68012)	3	11 10 56	<i>XX</i>
ALTERNATIVE GBW NUMBERS & NOTE 2 ADDED	(68012)	2	11 10 56	<i>XX</i>
	(5170)	1	19 10 53	<i>XX</i>
AMENDMENT PARTICULARS	ISS.	DATE	APPD.	SIZE F W
NZPO	DRAWN	CHECKED	WIRING	CIRCUIT
GBW 13150				