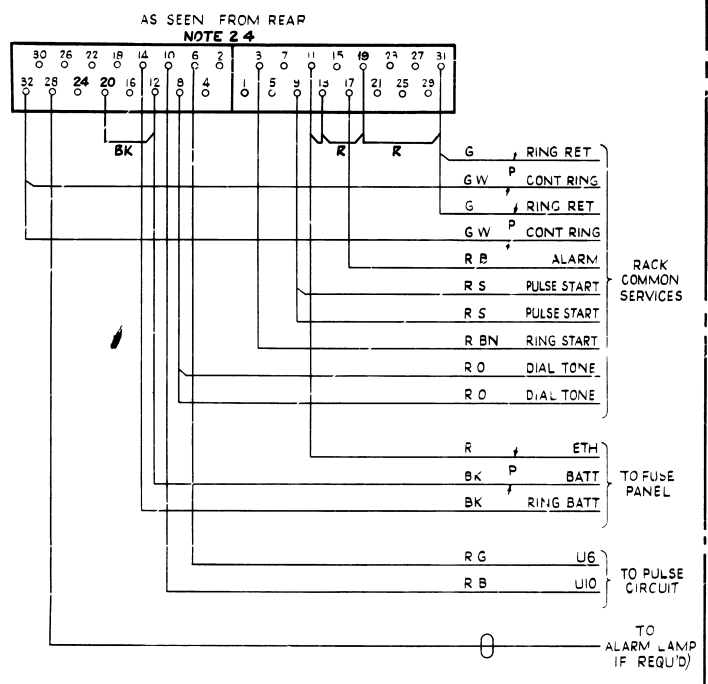
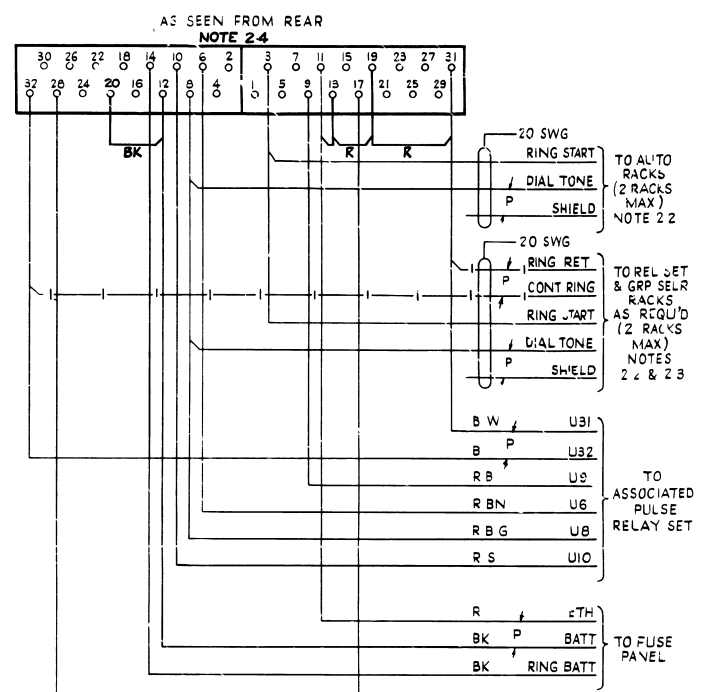


0  
5 Centimetres  
10  
15  
20  
25  
30  
35



NOTE  
11 ALL WIRING IN THIS FIGURE TO BE 23 SWG

**FIG 1A**  
20, 35 OR 49 LINE P A B X



MULTIPLE TO OTHER CIRCUITS ON SHELF  
U17 R G  
U28 R O

MULTIPLE TO OTHER SHELVES ON RACK  
U17 R G  
U28 R O

**NOTES**

21 ALL WIRING IN THIS FIGURE TO BE 20 SWG

22 IT IS IMPORTANT THAT EACH RELAY SET SHALL SERVE THE SAME RACK OR RACKS AS THE ASSOCIATED PULSE RELAY SET

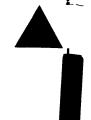
23 CONNECTIONS SHOWN ——— WILL NOT NORMALLY BE REQUIRED

24 STRAPS U12-20 AND U11-19-31 ENABLE RELAY SET TO GBW 16761 TO BE USED IN THIS SHELF JACK

**FIG 1B**  
50/1200 LINE P A B X

P A B X			
RINGING AND TONES			
CIRCUIT			
NOTE 2 4 & STRAPS ADDED	(8249)	2	17 12 71 GFE
NZ NOTE A ADDED	(8424)	1A	21 47 16 FE
(67005) (72314)	13 8 56	G	
AN-100-107 PART 1-1-58	ISSUE	DATE	APPROVED
NZPO	DRAWN	CHECKED	WORKING
GBU 14700			SIZE: 6

MICROBOX



4

4

3