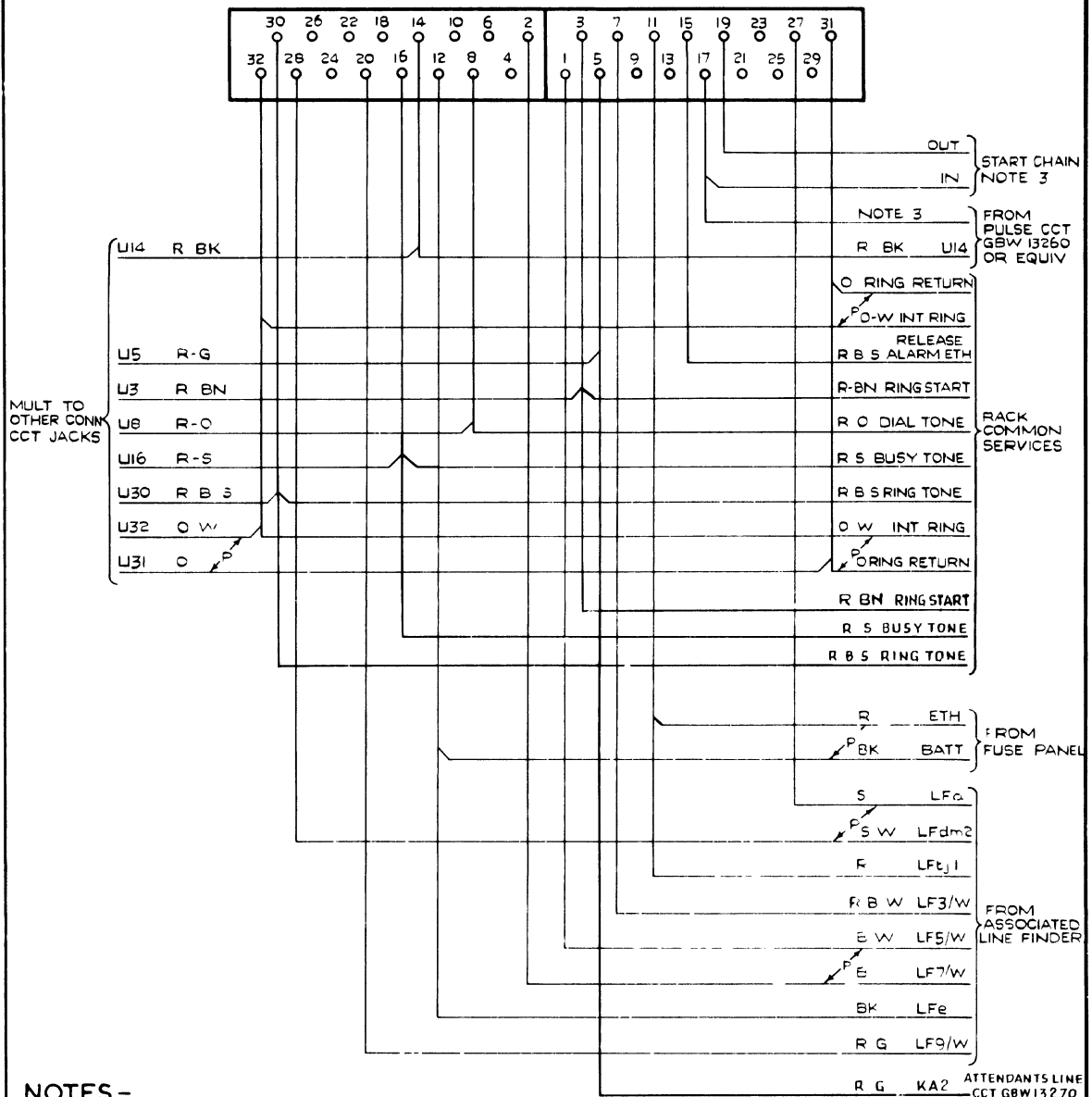


AS SEEN FROM REAR



NOTES -

- 1 SHELF JACK POINTS 9, 1 & 17, 19 TO MAKE CONTACT WHEN RELAY SET IS REMOVED
- 2 ALL WIRE TO BE 23 SWG UNLESS OTHERWISE SPECIFIED
- 3 START CHAIN CONNECTIONS -

35 LINE

U19 CCT	TO U17 CCT	TO PULSE CCT	COLOUR
1	5	U53	B-BN
2	6	U54	B BN W
4	1	U51	O
5	2	U52	O G
6	3	U61	B-O
3	4	U57	B O W

49 LINE

U19 CCT	TO U17 CCT	TO PULSE CCT	COLOUR
1	5	U53	B BN
2	6	U54	B BN W
3	7	U59	R B
4	1	U51	O
5	2	U52	O-G
6	3	U61	B O
7	4	U57	B O W

35/49 LINE PABX  
CONNECTING CIRCUIT

(31667) 1 5554 CWH  
AMENDMENT PARTICULARS ISSUE DATE APPD

GBU 13190

NZPO DRAWN AT CHECKED WIRED ENGINEER

5 Centimetres 10

15

20

25

30