

RELAY CODES & COMPONENTS LIST

U.A.X N° NZ13 COMMON EQUIP RINGING TONES AND PULSES
USING ELECTRONIC GENERATORS. (MODIFIED GBW 13720 & NZPO 26725 [GEC 193536])

| RELAY | BCC CODE | DIAG. FIG | NOTES | COMPT. DESIGNATION | BPO CODE | NOTES |
|-------|----------|-----------|-------|--------------------|-------------------|-------------------------------|
| CF | 6008 | | | | | |
| FA | 5071 | | | R1 | RADIO TYPE | 5% TOL 1/4 W (NZPO SL ER239) |
| | | | | R6 | N° 12 | |
| | | | | R7 | RADIO TYPE | 5% TOL 1/4 W (NZPO SL ER 231) |
| MFA | 5220 | | | R2 TO R5 | N° 6 | |
| NUA1 | 1526 | | | | | |
| NUA2 | 1526 | | | | | |
| NUA3 | 1526 | | | C2 | MC101 | |
| NUA4 | 1526 | | | C3 | MC101 | |
| | | | | C4 | MC10 | |
| | | | | C6 | MC101 | |
| PFA | 1642 | | | TP | UNSR N° 2/42A | |
| RA | 70070 | | | | BANK CONT N° 2/40 | |
| | | | | | | |
| RB | 70068 | | | TRI | 2N4356 | NZPO S.L. N° CC 736 |
| RO | 2017A | | | DI-3 | IN4003 | NZPO S.L. N° K905 |
| TA | 1804 | | | D4-6 | BY 133 | NZPO S.L. N° K907 |
| TN | 22214 | | | SCA | | NZPO S.L. N° LH814 |
| TS | 1529 | | | SCB | | NZPO S.L. N° LH814 |
| | | | | SCC | | NZPO S.L. N° LH814 |
| LO | 22213 | | | | | |
| XB | 21060P | | | | | |

NOTES A SPECIAL FACTORS OF SAFETY B SPECIAL ADJUSTMENTS C CCT POINTS OF MODIFICATIONS.

FIG.1.

LAYOUT

| | |
|-------|-----|
| R1/R6 | RO |
| TN | LO |
| CF | MFA |
| RA | TS |
| FA | XB |
| NUA1 | RB |
| NUA2 | TP |
| NUA3 | |
| NUA4 | |
| TA | |
| PFA | |

SCA MOUNTED ON REAR OF RELAY TA.
SCB MOUNTED ON REAR OF RELAY NUA4.
SCC MOUNTED ON REAR OF RELAY XB.

| | |
|-------------|---|
| CAPTR SPACE | 1 |
| C2 (R2) | 2 |
| C3 (R3) | 3 |
| C4 (R4) | 4 |
| C6 (R5) | 5 |

NZ NOTE A:-
FOR TERMINAL LAYOUT REFER TO NZM-RQ.

MOUNTING RS2/3000/22
TP204 SHEET 8 FIG. 4 REFERS
2 PLUG 32 POINT (3201)

NZPO (154271), 1-10-76

| | | |
|---|-----|-----|
| ISSUE 1-1-72 ISSUE ADVANCED NO CHANGE | RIJ | APP |
| ISSUE 2-17-74 TITLE AMD. (154271) | | |
| ISSUE 2-1-10-76 DI-6 ADD. RI CHANGED. TRI ADD (193391) | | |
| ISS. 2B 1-5-76 WAH | | |

| | |
|----------------------|--------------------|
| ORIGINATED BY | G.E.C. |
| DATE | 14-7-72. |
| SIGNED FOR COMMITTEE | <i>R. J. Jones</i> |

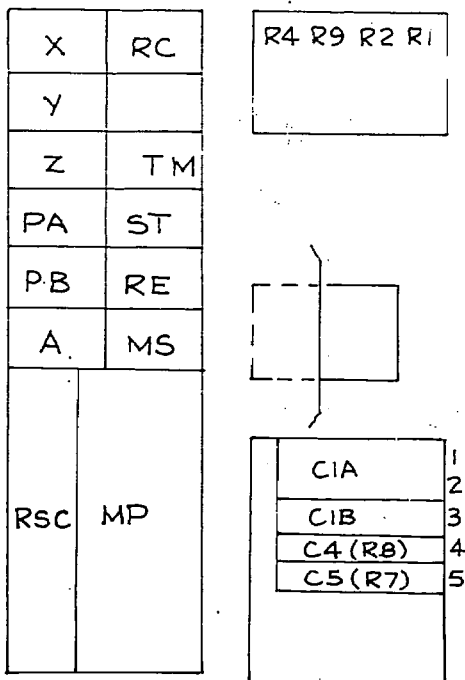


U.A.X. N° NZ13. COMMON EQUIPMENT RINGING TONES AND PULSES USING ELECTRONIC GENERATORS. (MODIFIED GBW13720 & NZPO 26725 [GEC 19353G])

| RELAY | BCC CODE | DIAG. FIG | NOTES | COMPT. DESIGNATION | BPO CODE | NOTES |
|-------|----------|-----------|-------|--------------------|------------------------|-----------------------|
| A | 1636 | | | RI, 2, 9 | N° 9 | |
| MS | 6048A | | | R4 | N° 12 | |
| PA | 22676Pd | | | R7, R8 | N° 6 | |
| PB | 20793P | | | CIA | MC 103C | |
| PC | 20793P | | | C4, C5 | MC 101 | |
| RE | 73122P | | | CIB | MC 102C | |
| RC | 21061P | | | MP | UN 2 N° 2/10/4A | |
| ST | 1640 | | | | BANK CONTACT N° 2/10/7 | |
| TM | 1641 | | | | | |
| X | 2246A | | | RSC | GEC. DRG 55810 | |
| Y | 72289P | | | DI | BY 133 | NZPO SL. N° K907 |
| Z | 2246A | | | | | MOUNTED IN WIRING RUN |
| | | | | | | |
| | | | | | | |
| | | | | | | |
| | | | | | | |
| | | | | | | |
| | | | | | | |
| | | | | | | |
| | | | | | | |
| | | | | | | |
| | | | | | | |

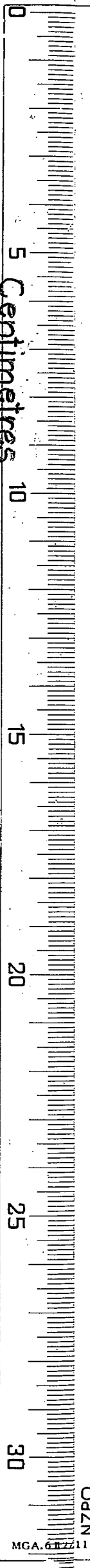
NOTES A SPECIAL FACTORS OF SAFETY B SPECIAL ADJUSTMENTS C CCT POINTS OF MODIFICATIONS.

FIG. 2. LAYOUT



MOUNTING RS2/3000/22
 TP 204 SHEET 8 FIG 4 REFERS
 2 PLUG 32 POINT (3201).

| | | | | |
|--------------------------|----------------|-----|----------------------|-------------|
| ISSUE 1 : 14-7-22 | APP 18 | RIJ | ORIGINATED BY | G.E.C. |
| ISSUE ADVANCED NO CHANGE | ISSUE 2: 10-76 | MMN | DATE | 14-7-72. |
| TITLE AMD (154271) | DI ADD. (2332) | WAH | SIGNED FOR COMMITTEE | R. L. Jones |
| ISS. 2B 1-5-78 | | | | |



NZPO (154271), 10-76

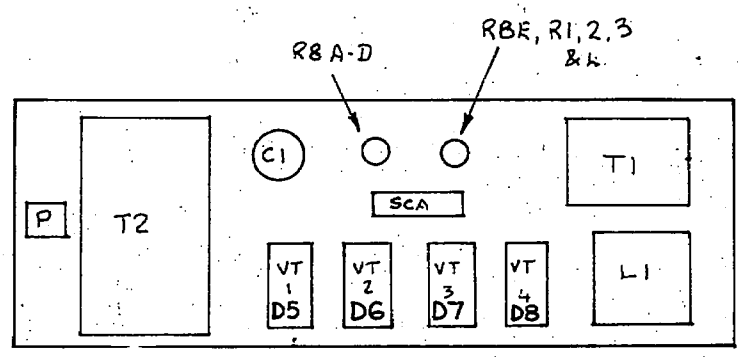
RELAY CODES & COMPONENTS LIST GBW 20230

UAX N° NZ13 COMMON EQUIPMENT RINGING TONES AND PULSES USING ELECTRONIC GENERATORS (MODIFIED GBW 13720 & NZPO 26725 [GEC 193536])

| RELAY | BCC CODE | DIAG. FIG. | NOTES | COMPT. DESIG-NATION | BPO CODE | NOTES |
|-------|----------|------------|-------|---------------------------------|------------------------|--|
| | | | | | | DIAGRAM FIG 3. |
| | | | | C1 | ELECTROLYTIC 1500µF | PLESSEY TYPE CE22193/8 |
| | | | | R1-R4 | N° 12 | |
| | | | | RBA-E | N° 9 | |
| | | | | | ERIE CERAMIC | |
| | | | | RS, 6 ² ₇ | INSULATED (COLD MOULD) | WIRE ENDED ON 'SCA' |
| | | | | SCA | 145 DN | |
| | | | | VT1-4 | OC 20 | MOUNTED ON HEAT SINKS. |
| | | | | DI-D4 | CV 7026 | MOUNTED ON 'SCA' |
| | | | | D5-D8 | CV 7316 | MOUNTED WITH VT1-VT4 |
| | | | | D9 | | MULLARD BZW95 SELECTED TO GEC SPEC PP48132/4 |
| | | | | T1 | | GEC CODE 54533 'A' |
| | | | | T2 | | GEC CODE 52567 'C' |
| | | | | L1 | | GEC CODE CP50339. |
| | | | | P | 8WAY PLUG | PAINTON TYPE. |

NOTES A SPECIAL FACTORS OF SAFETY - B SPECIAL ADJUSTMENTS C CCT POINTS OF MODIFICATIONS.

LAYOUT



MGA. 512. 11
NZPO (154271), 1-10-76
ISSUE 1: 14-7-72
ISSUE 2: 17-4-74
ISSUE 2A: 1-10-76
ISSUE 2B: 1-5-78

| | | |
|-----|-----|-----|
| ADP | APD | APD |
| 18 | 18 | 18 |
| RIJ | RIJ | RIJ |
| MMW | MMW | MMW |
| WAH | WAH | WAH |

| | |
|----------------------|-------------------|
| ORIGINATED BY | G.E.C. |
| DATE | 14-7-72. |
| SIGNED FOR COMMITTEE | <i>R.L. Jones</i> |

RELAY CODES & COMPONENTS LIST

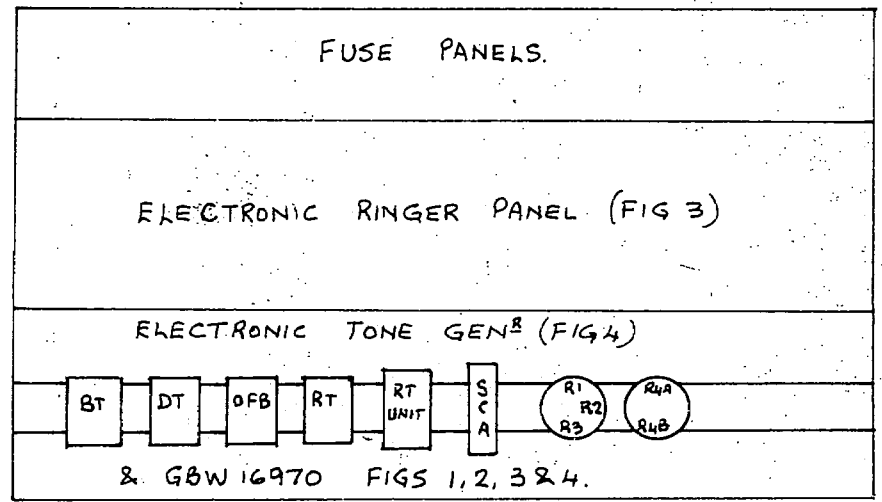
GBW 20230

LAX N° NZ 13 COMMON EQUIPMENT RINGING TONES AND PULSES USING ELECTRONIC GENERATORS (MODIFIED GBW 13720 & NZPO 26725 [GEC 19353G])

| RELAY | BCC CODE | DIAG. FIG. | NOTES | COMPT. DESIGNATION | BPO CODE | NOTES |
|-------|----------|------------|-------|--------------------|----------|------------------|
| OFB | 22007 | 4 | | | | |
| RT | 22007 | 4 | | BT & DT | | GEC CODE 54637/4 |
| BT | 22007 | 4 | | OFB | | GEC CODE 54637/5 |
| DT | 22007 | 4 | | RT | | GEC CODE 54637/6 |
| | | | | RT UNIT | | GEC CODE 55170 |
| | | | | R1-3 | N° 9. | |
| | | | | R4A, 4B | | |
| | | | | DI-3 | CV7093 | ON SCA |
| | | | | SCA | 145 DN. | |

NOTES A SPECIAL FACTORS OF SAFETY B SPECIAL ADJUSTMENTS C CCT POINTS OF MODIFICATIONS.

LAYOUT



MGA.612/11
 NZPO (154271), 1-10-76

| | | | |
|---|---|---|--------------------|
| ISSUE 1: 14-7-72 ISSUE ADVANCED NO CHANGE. | ISSUE 2: 17-4-74 TITLE AMD. (154271) | ISSUE 2A: 1-10-76 ISS. ADVANCED NO CHANGE (193391) | ISS. 2B 1-5-78 WAH |
|---|---|---|--------------------|

| | |
|----------------------|------------|
| ORIGINATED BY | G.E.C. |
| DATE | 14-7-72 |
| SIGNED FOR COMMITTEE | R. L. Jaro |