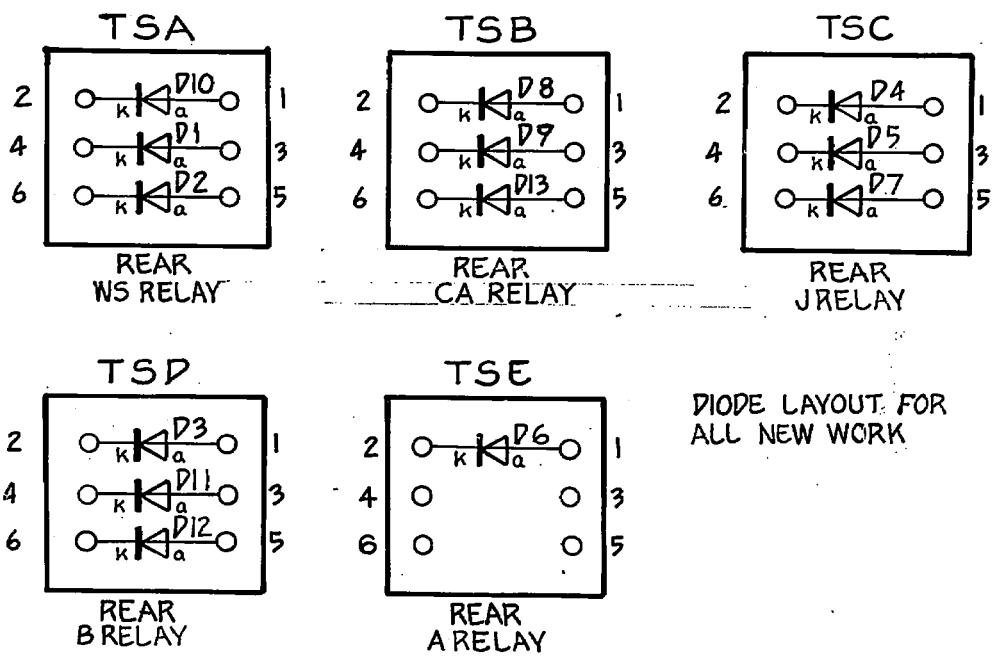


RELAY CODES & COMPONENTS LIST **GBW 20100**
UAX NZ13 OUTGOING JUNCTION TERMINAL
UAX TO PARENT EXCHANGE 2000T

RELAY	B.C.C. CODE	DIAG FIG.	NOTES	COMPT DESIGNATION	B.P.O. CODE	DIAG FIG.	NOTES
				D1-D7	NZ NOTE A		DIODES DA000 OR EQUIV.
				D8-D9-D10			" H51009 " "
				D11			" DA000 " "
				D12-D13			" BY133 " "

NOTES:- **A** SPECIAL FACTORS OF SAFETY. **B** SPECIAL ADJUSTMENTS. **C** CIRCUIT POINTS OR MODIFICATIONS

LAYOUT



DIODE LAYOUT FOR ALL NEW WORK

APD ISSUE 3 B TSA TSB TSC TSD TSE ADDED	ORIGINATED BY	TEL EQUIP.
	DATE	30-5-79

0
5 Centimeters
10
15
20
25
30
MASTER TRACING 28433 SHT 3