

RELAY CODES & COMPONENTS LIST GBW 19390

TEST CIRCUIT FOR RECEIVERS &  
OSCILLATORS N.Z. S.S.A.C. NOS 2T & 3T  
(GEO THERMAL AREAS.)

RELAY	B.C.C. CODE	DIAG. FIG.	NOTES	COMPT. DESIGN	B.P.O. CODE	NOTES	
A	5616 P			R1,2,23,40 R41,42	15A	IMPREGNATED * OR EQUIV. VALUE RESISTORS NO 15A A5 PER GBW DGM	
DE	40678 Pd			R3,6,7,9 R10	12		
I	2012			R5	12A		
M	16082 Pd			R11-14	ATTENUATOR 3/13 *		
RA	4853			R15-18	" " 3/3 *		
				R19-22	" " 3/7 *		
				R36-38	CARBON NO 15GF		R36-38 MTD. ON SCA
				R43,44	12		
				R24-30 R32,33	40		
				R34	15		IMPREGNATED
				R35, R39	9		
				RV1	POTENTIOMETER NO 26A		
				RV2, 3	" " 32A		
				D1, 2	CV 8308	ALTERNATIVE LUCAS CODE DA 000	
				D3	CV 7168		
				D4	" "	S.T.C. CODE Z2A62F	
				C1A	CAPACITOR 102C		
				C1B	" " 103C		
				C2-4	" " 102C		
				C5	" "	T.C.C. CODE CE 135B ALTERNATIVE T.C.C. CODE CE 134 AB	
				C6-9	CAPACITOR 102C		
				RV4	" "	COLVERTYPE CLR 4201/95 3 WATTS E.T. Code N1249 00	

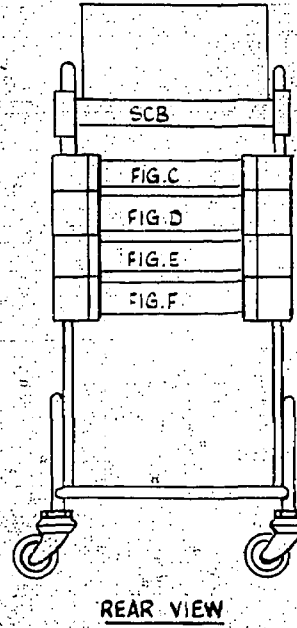
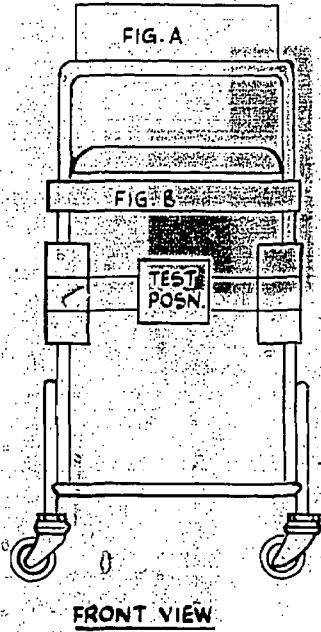
CONTINUED ON NEXT SHEET.

NOTES - A SPECIAL FACTORS OF SAFETY.

B SPECIAL ADJUSTMENTS

C CCT POINTS OR MODIFICATIONS

LAYOUT



ISSUE 25-10-67  
1. R8 WAS CARBON NO. 15GF MTD. ON K.T.P.A. R42 & R43 ADDED. (39900)  
2. 57-71 M  
R4, 8, 31 & 43 DELETED. K11-14 & R19-22 CHANGED  
RV4 ADDED  
3. (30329) 4-7-72 DLM  
ISS ADVANCED ONLY (99808)  
4. 6-7-73 DLM  
R 43, 44 ADD. (66312)  
4A 13.2.75 JHE

ORIGINATED BY ET  
DATE 25-10-67  
SIGNED FOR COMMITTEE

Continued on 1B

15

20

25

30

N.Z.S.S.A.C. (86594)

# RELAY CODES & COMPONENTS LIST GBW 19390

TEST CIRCUIT FOR RECEIVERS &  
OSCILLATORS N.Z. S.S.A.C. NOS 2T & 3T  
(GEO THERMAL AREAS)

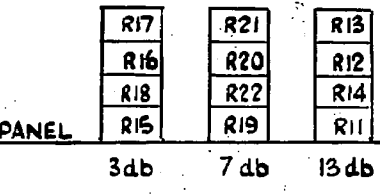
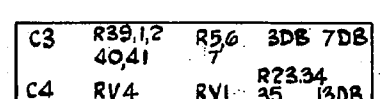
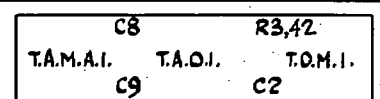
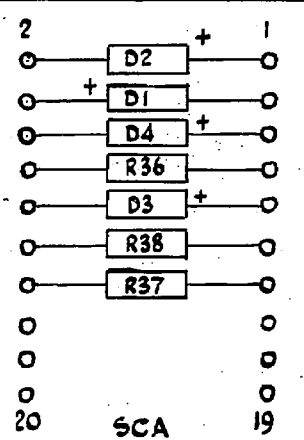
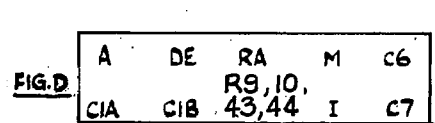
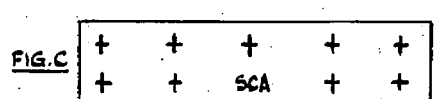
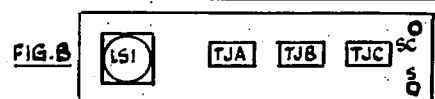
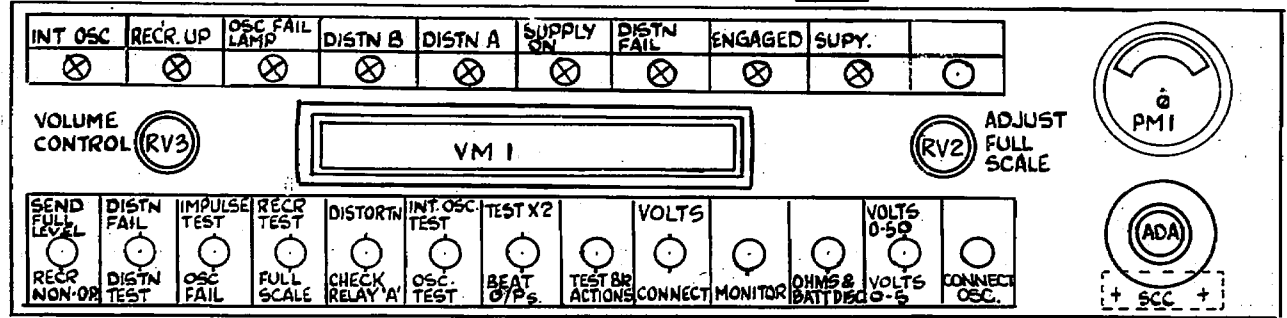
RELAY	B.C.C. CODE	DIAG. FIG.	NOTES	COMPT. DESIGN	B.P.O. CODE	NOTES
				TAM A1	—	A.T.E. Code L291592/001. A.E.I. Code UNIT ELECTRONIC 11A
				TAO 1φ	—	" L96286/001. " " " 17A
				TOM 1φ	—	" L96287/001. " " " 18A
						φ SEE GBW 16480
				VM1	—	E.T. Code N116917 SANGAMO WESTON S24.1 SPK OR 51FAM
				ADA	—	" N4394 R3
				TJA	—	" N97706A
				TJB, TJC	—	" N97707A1
				BATT. PLUG	—	" N116928 WITH CORD
				LS1	—	" N1 20
				KRN+KSF	—	" N24760
				KDT+KDF	—	" N24761
				KOF+KIT	—	" N24528
				KFS+KRT	—	" N24528
				KCA+KD	—	" N24528
				KBO+KTX	—	" N24528
				KC+KV	—	" N24528
				KHV+KLV	—	" N24528
				KOT+KO	—	" N24530
				KTB	—	" N24527
				KM	—	" N24534
				KR,KCO	—	" N24538
				SCA	STRIP. CONN. 145 DN	
				SCB	—	A.T.E. code TU 150303
				SCC	—	E.T. code N115291

CONTINUED ON NEXT SHEET

NOTES - A SPECIAL FACTORS OF SAFETY. B SPECIAL ADJUSTMENTS. C CCT POINTS OR MODIFICATIONS.

## LAYOUT

FIG. A



ISSUE 1. 25-10-67  
 2. 5-7-71  
 3. (30329) 4-7-72  
 4. 6-7-73  
 R43 & 44  
 ADD. (68312)  
 4A 13.2.75

PMI WAS SET CODE N116917 (SANGAMO WESTON S24.1 SPK) (KCO) (CONNECT) (ADD. KEY-ADDED. R6, 42 & 43-ADDED TO LAYOUT. (39500))

PMI CHANGED (SEE SH13) VOLTS KEY WAS TEST PROD. KEY DESIGN 'BATT. DISC' ADDED. R48 & 49 DELETED. R5 RE-POSITIONED. RV4 ADDED.

ISS ADVANCED ONLY (99808)

ORIGINATED BY ET  
 DATE 25-10-67  
 SIGNED FOR COMMITTEE

Centimetres 5 10 15 20 25 30  
 N.Z. S.S.A.C. (86594)

RELAY CODES & COMPONENTS LIST GBW 19390

TEST CIRCUIT FOR RECEIVERS &  
OSCILLATORS N.Z. S.S.A.C. Nos 2T & 3T

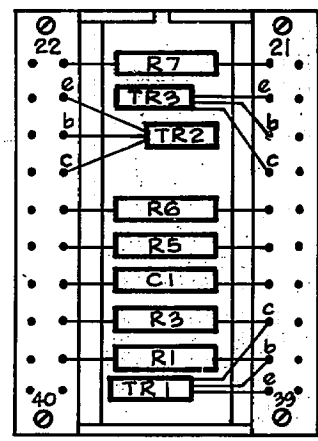
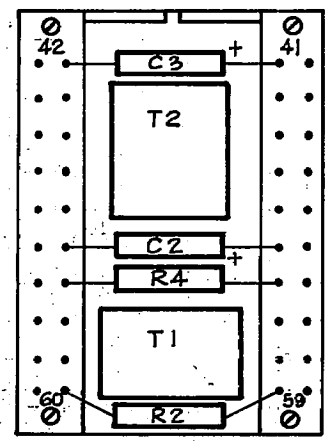
(GEO THERMAL AREAS)

RELAY	B.C.C. CODE	DIAG. FIG.	NOTES	COMPT. DESIGN	B.P.O. CODE	NOTES
				JACK LAMP		E.T. Code N116914
				LP		" N114911
				STRIP DESIGNATION		" N116915
				PLUG A&B		" N116921 WITH CORD
				" D&E		" N116932 " "
				" F&G		" N116910 " "
				" C		" N116925 " "
				TEST PROD (RED)		" N124298 " "
				" (BLACK)		" N124299 " "
				JACK SHELF		" N115275
				PM1		SIFAM CAT. SECT. D5 104 - 35 TYPE 35 CALIBRATED TO B.S. 89 [1954] INDUSTRIAL GRADE E.T. Code N124297
						JACK, CORD & PLUG ASSEMBLY SIMILAR TO ATE. CODE L541637/001 BUT WITH SPECIAL FINISHES SUITABLE FOR USE IN GEOTHERMAL AREAS
				C10	101	

NOTES - A SPECIAL FACTORS OF SAFETY. B SPECIAL ADJUSTMENTS. C DET POINTS OR MODIFICATIONS LAYOUT

T. A. M. A. I.

AEI UNIT ELECTRONIC IIA



ISSUE	25-10-67
1. ISSUE ADVANCED ONLY. (39500)	
2. PM1 TRANSFERRED FROM 5HT2. LAYOUT OF TAMAI ADDED. TEST PROD CODES CHANGED. DLM (30829) 4-7-72	
JACK CORD & PLUG ASSY. ADDED (99808)	
4 6-7-73 C10 ADDED. (68312)	
4A 13-2-75 JHE	

ORIGINATED BY	ET
DATE	25-10-67
SIGNED FOR COMMITTEE	

Centimetres

5

10

15

20

25

30

N.Z.P.O. (86594)