

RELAY CODES & COMPONENTS LIST, GBW 16710

CLEAR FORWARD TIMER FOR USE ON O/G I.V.F.

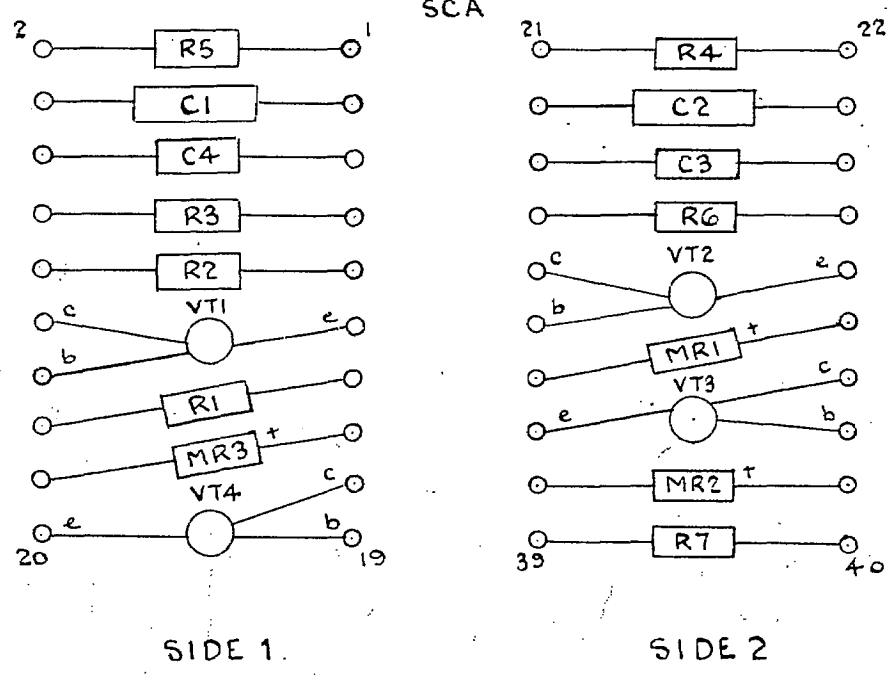
LINE CIRCUITS N.Z.S.S. A.C. Nos 2T & 3T

RELAY	B.C.C. CODE	DIAG. FIG.	NOTES	COMPT DESIGNATION	BPO CODE	NOTES
				R1		ELECTROSIL TRG 5% OR EQUIVALENT
				R2, 6 & 7		ELECTROSIL TR5 5% OR EQUIVALENT
				R4		ELECTROSIL TRG 5% OR EQUIVALENT
				R5		ELECTROSIL TR5 5% OR EQUIVALENT
				C1 & 2	8017 B	(250V. 2-2. 10%)
				C3 & 4	8017 B	(250V. 0-01. 10%)
				VT1-3	CV 9507	-LARD CODE
				VT4	ACY 17	" "
				MRI-3	15131	TEXAS INSTRUMENT CODE
				SCA	STRIP CONN. 255B (A.E.I. CODE)	MOUNTING PLATE (1-RELAY SPACE)
					COMPLETED	ASSEMBLY CODE
				TCFT1	A.E.I. UNIT	ELECTRONIC 20A

NO RELAYS

NOTES:- A. SPECIAL FACTORS OF SAFETY. B. SPECIAL ADJUSTMENTS. C. C.T. POINTS OR MODIFICATIONS.

LAYOUT.



SIDE 1

SIDE 2

APR	ISSUE 1 26.8.64	ORIGINATED BY	A.E.I.
	R7 WAS NOT SHOWN	DATE	26/8/64
	ISSUE 2 25-11-64	SIGNED FOR COMMITTEE	ASH
	CAPACITORS C1 & C2 WERE G.E.C. TYPE A 596 1502/5% TITLE AMENDED (58202)		
	ISSUE 3 24-8-65		
	R3 & R6 CODES AMENDED (T2805)		
	ISSUE 4 20-4-67		
	RES. CODES WERE 26 & 15. CAPACITORS C1 & C2 WERE G.B. 216A.		
	ISSUE 5 R4 WAS TRG 1% R5 WAS TR5 1% (21821)		
	ISSUE 6 4-9-69		
	C1 & C2 WERE G.B. 216A. C3 & C4 WERE B.M. 21(30530)		
	ISSUE 7 13-9-72		
	VT1-3 CODE WAS BC711 (122789)		
	ISSUE 8 6-6-74		

Centimetres

20

25

30