

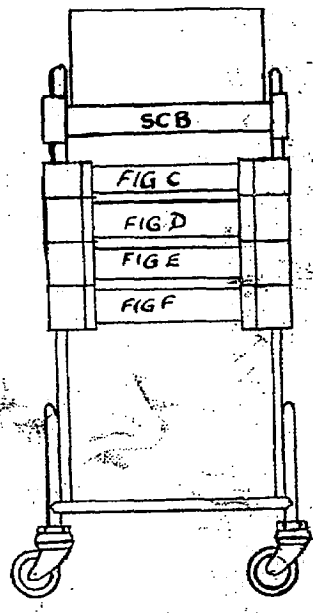
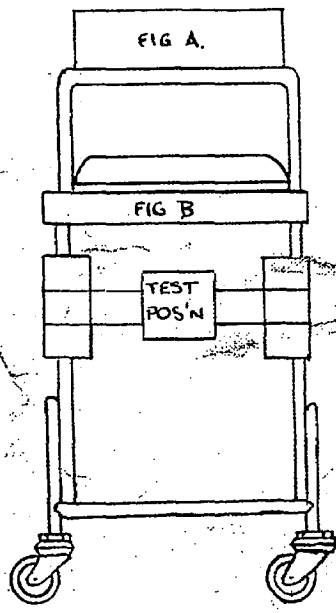
RELAY CODES & COMPONENTS LIST, GBW 16570

TEST CIRCUIT FOR RECEIVERS AND OSCILLATORS N.Z.S.S.A.C. Nos. 27 & 3T

RELAY	B.C.C. CODE	DIAG. FIG.	NOTES	COMPT. DESIGNATION	BPO CODE	NOTES
A	5616P		A & C	R1&2	15A	
DE	6113			R3,6&7	12	
I	2012		RETARD	R5	12A	
M	16082Pd		C	RV 4	CLR4201/953WAT	COLVERN TYPE.
RA	4853		RETARD	R9,10	12	
				R11-23	15A	
				R24-30	40	
				R32&33	40	
				R34	15	
				R35	9	
				R36-38	CARBON No. 15	
				R39	9	
				R40,41,42	15A	
				RV1	26A	
				RV2	32A	
				RV3	TYPE 'M'	PLESSEY POTENTIOMETER CODE
				D 1&2	DA000	JOSEPH LUCAS CODE
				D 3	VR12F	A.E.I. LINCOLN CODE
				D 4	ZZA62F	S.T.C. CODE
				C1A	102C	
				C1B	103C MK 2	
				C2-4	102C	
				C5	GE 22222/13	PLESSEY CODE
				C6-9	102C	
				T.A.M.A.1	UNIT ELECTRONIC 11A	SEE SHT. 3
				T.A.O.1	UNIT ELECTRONIC 17A	SEE GBW 16480 SHEET 2

NOTES:- A. SPECIAL FACTORS OF SAFETY. B. SPECIAL ADJUSTMENTS. C. CCT. POINTS OR MODIFICATIONS.
 A. TEST & RE-ADJUST FIGURES APPLY
 C. THESE RELAYS HAVE A SPARE SPRING

LAYOUT.



ISSUE 2 REDRAWN FOR TROLLEY MOUNTING 1-9-66	ISSUE 3 RELAY DE WAS D D1 TO 4 WHERE 26-9-66 SCB WAS NOT SHOWN 3-11-66	NOTE C2 ADDED	ISSUE 6 13-12-67 RB WAS No 15 R42 & R43 WERE NOT SHOWN	ISSUE 7 11-9-69 REF TO SHT 5 WAS NOT SHOWN	ISSUE 8 (39564) 15-7-71 R4, 8, 43 & 81 WERE SHOWN RV4 WAS NOT SHOWN (99611)	ISS 9 23/13/73 NO CHANGE SHTS 2 & 3 AMD. (122718)	ISS 9A 28-5-74 B.L.	ORIGINATED BY A.E.	DATE 1-9-66	SIGNED FOR COMMITTEE ASH
--	--	------------------	--	---	---	--	------------------------	--------------------------	----------------	--------------------------------

NZP (58174) 24-1-67

RELAY CODES & COMPONENTS LIST, GBW 16570

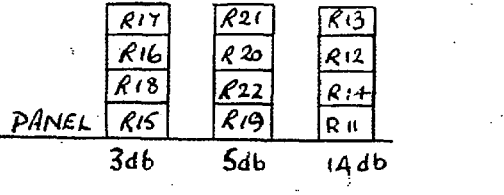
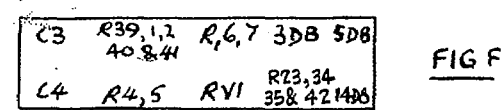
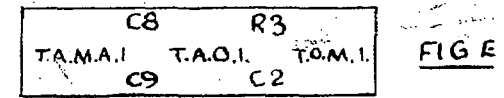
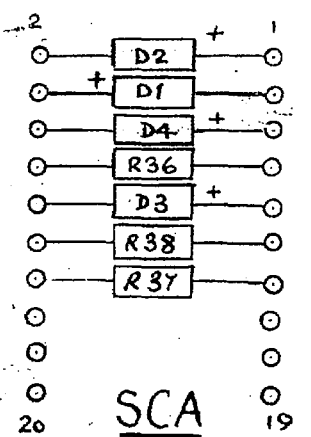
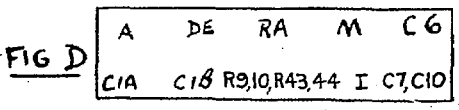
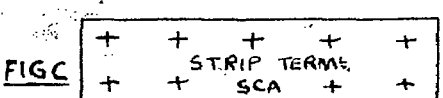
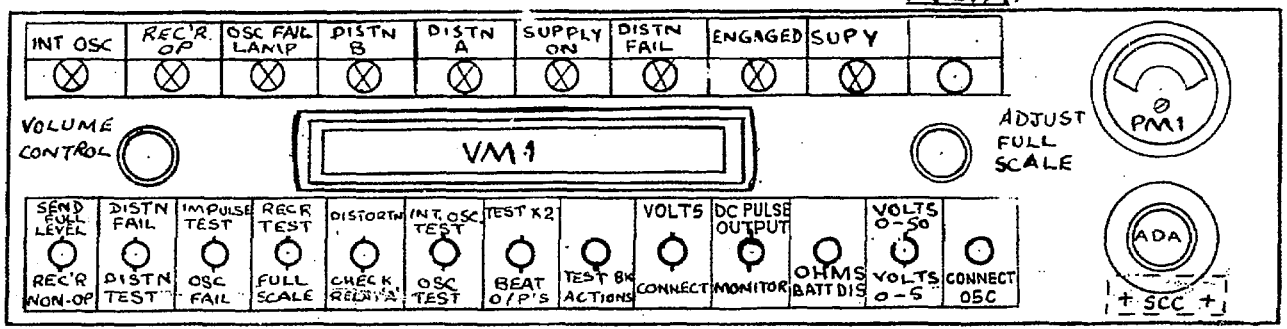
TEST CIRCUIT FOR RECEIVERS AND OSCILLATORS N.X.S.S.A.C. N^{OS} 2T&3T

RELAY	B.C.C. CODE	DIAG. FIG.	NOTES	COMPT DESIGNATION	BPO CODE	NOTES
				T.O.M.1	UNIT ELECTRONIC 18A	SEE GBW 16480
				PM 1	TYPE 35	SIFAM CAT SECN. D5104-35 CALIP. 20-ATED TO R.559 (1954) INDUSTRIAL GRADE
					db METER 4A	AET CODE. SANGAMO WESTON INSTRUMENTS
				ADA	21	DIAL SWITCH WITH SUITABLE NUMBERING FOR N.X.P.O. CI.
				TJA	JACK TEST 27/3	
				TJB	JACK TEST 30A MK2	
				TJC	JACK (30A MK2	
				BATT PLUG	PLUG 316 (BLACK)	
				LSI	T24/308/3	GOODMANS INDUSTRIES LTD CODE
				KRN+KSF	300	
				KDT+KDF	295	
				KDF+KIT	212	
				KFS+KRT	212	
				KCA+KD	212	
				KOT+KO	208	
				KTB	68	
				KBo+KTX	212	
				KC+KV	212	
				KM+KDC	300	
				KR	289	
				KHV+KLV	212	
				SCA	145DN	STRIP CONNECTION
				SCB	21/6	
				SCC		PART OF DIAL MOUNTING
				K.C.O	289	

NOTES:-A. SPECIAL FACTORS OF SAFETY. B. SPECIAL ADJUSTMENTS. C. C.C.T. POINTS OR MODIFICATIONS.

LAYOUT

FIG. A.



R43, 44 C10 & KDC KEY ADD. TO FACILITATE PULSE DISTORTION TESTING (122778)
ISS 9A 28-574 BT.

REF TO NOTE C2 ADDED
ISSUE 6 13-12-67
R42 & R43 & KDC ADDED TO LAYOUT
KV WAS KTP
ISSUE 7 11-01-69
REF. TO LIGHT 3 WAS NOT SHOWN
ISSUE 8 (39564)/57-71
PM1 WAS MEET PA 847 WERE SHOWN RVA & BATT DIS WAS NOT SHOWN (99611)
ISS 9 23-3-73

ORIGINATED BY A.E.I.
DATE 1-9-66
SIGNED FOR COMMITTEE ASH

N.Z.P.O. (58174) 24-1-67.

GBW 16570

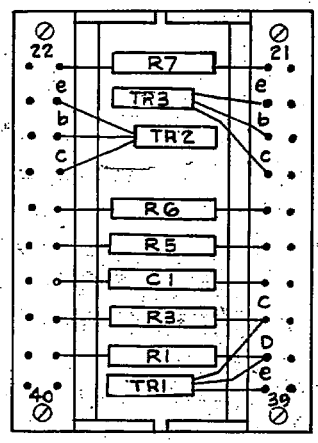
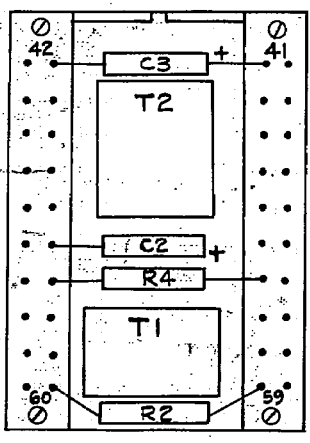
RELAY CODES & COMPONENTS LIST

TEST CIRCUIT FOR RECEIVERS AND OSCILLATORS N.Z.S.S.AC NOS 2T & 3T

RELAY	BCC CODE	DIAG. FIG	NOTES	COMPT. DESIG. NATION	BFO CODE	NOTES
				C1	8017B	NOTE C2
				C2&C3	CE 22073	PLESSEY CODE
				R1-7		ELECTROSIL TRG 5% .1 WATT
				TR1	OC71	MULLARD CODE OR EQUIV
				TR2&3	ACY20	" " " "
				T1	442A	AEI CODE
				T2	443A	" "
				R43,44	12	
				C10	101	

NOTES: A SPECIAL FACTORS OF SAFETY B SPECIAL ADJUSTMENTS C CCT POINTS OF MODIFICATIONS.
 C2. ON SOME EARLY EQUIPMENT
 C1 IN T.A.M.A.I WAS BFO CODE LAYOUT
 7524 (.04 μF)

T.A.M.A.I.



UNIT ELECTRONIC 11A

ISSUE 8 12-10-70 R1-7 RATING WAS NOT SHOWN. TRI-3 WERE VT1-3 (99611)	1559 23/3/73 DLM R43,44 & C10 ADDED (122778)	1559A 29-5-74 B.T.	ORIGINATED BY GEC-AEI
			DATE 12-10-70
			SIGNED FOR COMMITTEE R.H. Jones

0
5 Centimetres
10
15
20
25
30
N.Z.P.O.
D.L.M.