

RELAY CODES & COMPONENTS LIST, GBW 16540

PARENT EXCHANGE OUTGOING LINE CIRCUIT FOR U/D JUNCTIONS

TO DEPENDENT EXCHANGE N.Z.S.S.A.C. N° 3T.

RELAY	B.C.C. CODE	DIAG. FIG.	NOTES	COMPT. DESIGNATION	B.P.O. CODE	NOTES
A	HSD 702			RI-6	9	
B	50184			RT	12	
BB	50183			RF	40	MTD ON SCA & SCB
CD	50210			R9&10	26 GD	MTD ON SCD
CF	50201			R11	6	
D	50213			R12-13	15	NON INDUCTIVE
DB	7174			R14-15	15A	NON INDUCTIVE
DC	5001			C1	102C	
DD	5927			C2	7204 MK 2	
OC	1576			C3	4501A 10µF 20 DC	
RC	HSD 508			C4&5	801 B	MTD ON S SCB & SCC
RG	50202			MRI-3	DA 000	JOSEPH LUCAS CODE MTD IN WIRING
RR	1951			R17-19	15	NON INDUCTIVE
SP	HSD 508			RXI-7	2	MTD IN WIRING
SR	5942			RV1	26E	
				T1	415A	AEI CODE
				T2	444A	AEI CODE
				TARI	TRANSISTOR RECVR	AEI UNIT CODE:-
					GBW 16560	P.W.U. 45C (MILLAR'D CODES)
				SCA-SCC	MINIATURE MTG STRIP	CARR FASTENER CODE
				(TAG PLATE)	CWEN TYPE 210d	AEI DRG DS 4125 GRP 2
				TcFT1	CLEAR FORWARD	AEI UNIT CODE
					TIMER GBW 16710	UNIT ELECTRONIC 20A

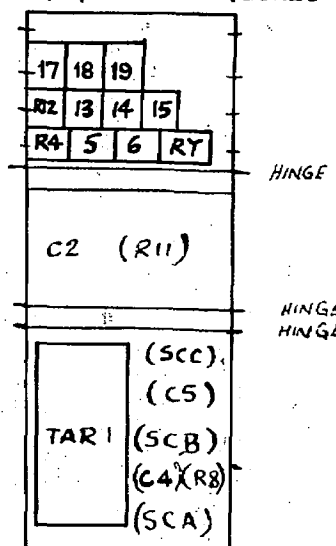
NOTES:-A. SPECIAL FACTORS OF SAFETY. B. SPECIAL ADJUSTMENTS. C. CCT POINTS OR MODIFICATIONS

LAYOUT

FRONT VIEW

RI/2/3	RV1	*
A	T1	
B	T2	
CD	TcFT1	
CF	RG	
	SP	
X	SR	
DC	TX	
OC	RR	
BB	D	φ
TT	DB	
RC	DD	
C1	SCD, (FIG 1)	

REAR VIEW (BOXES OPEN)



* RV1 MOUNTED ON P.O. BRACKET MTG. CV + LOCKING NUT P.O. SPINDLE LOCK N° 1.

φ GUARD 1

- 1 PLUG 32 P. P.O. 3205
- 1 P.O. JACK TEST 21E MK 4
- 1 P.O. JACK TEST 21F MK 4
- 1 LINK P.O. 'N' RED.

ISSUE 1 19.3.65 LINK P.O. 'N' RED WAS LINK P.O. N° 6	ISSUE 2 17-5-65 RELAY R AND RESISTOR R1E DELETED. R17-20 MADE R16-19	TITLE AMENDED	ISSUE 3 5-10-65 STRIP CONNS IN RECEIVER BOX INTERCHANGED	ISSUE 4 10.1.66 MTG. POSN. OF C4 WAS NOT SHOWN (FIG 1)	ISSUE 5 8.11.66	C3 CODE AMENDED (72837)	ISSUE 6 17.2.67 RIG DELETED RV1 & RX6-7 ADDED (83762)	ISSUE 7 22-5-67	ORIGINATED BY A.E.I.	DATE 19.3.65	SIGNED FOR COMMITTEE ASH P.T.
---	---	---------------	--	---	--------------------	----------------------------	---	--------------------	-------------------------	-----------------	----------------------------------

Centimetres

20

25

30

RELAY CODES & COMPONENTS LIST, GBW 16540

PARENT EXCHANGE OUTGOING LINE CIRCUIT FOR U/D JUNCTIONS

TO DEPENDENT EXCHANGE. N.Z.S.S.A.C. No 3T

RELAY	B.C.C. CODE	DIAG. FIG.	NOTES	COMPT. DESIGNATION	B.P.O. CODE	NOTES
TT	50189 P			SCD	STRIP CONN 145	MTG C3, R9 & R10 (FIG 1)
TX	HSD 512					
X	HSD 523					

NOTES:- A. SPECIAL FACTORS OF SAFETY. B. SPECIAL ADJUSTMENTS. C. CCT. POINTS OR MODIFICATIONS.

LAYOUT

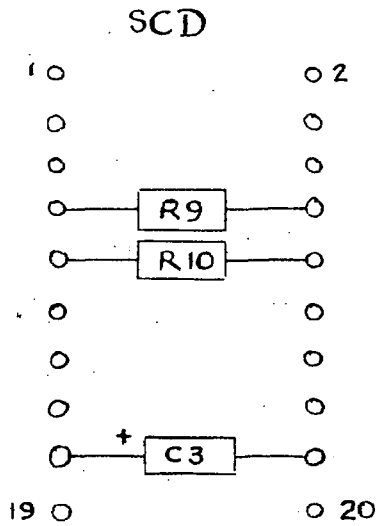


FIG 1

APR 1 ISSUE 1 19-3-64 NO CHANGE	APR 17 ISSUE 2 17-5-65 TITLE AMENDED	APR 5 ISSUE 3 5-10-65 NO CHANGE	APR 10 ISSUE 4 10-1-66 NO CHANGE (2714)	APR 11 ISSUE 5 11-11-66 NO CHANGE (72837)	APR 17 ISSUE 6 17-2-67 NO CHANGE (83762)	APR 22 ISSUE 7 22-2-67	ORIGINATED BY A. E. I
							DATE 19-3-65
							SIGNED FOR COMMITTEE ASH

Centimetres 5 10 15 20 25 30