

RELAY CODES & COMPONENTS LIST, **GBW 14980 MOD. B**

SELECTOR LEVEL RELAY SET WITH RESISTOR BALLAST

MAIN AND SATELLITE LEVELS IN S.C.S. MAIN EXCHANGE - 2000T

RELAY	BCC CODE	DIAG. FIG.	NOTES	COMPT. DESIGNATION	BPO CODE	NOTES
S	10221			R1	N°9	NOT CONNECTED ON SHT 2
				R2	N°12	
				R3	N°9	
SS	2071					
B	10625			C1	102 <sup>c</sup>	
LS	7698		B	C2	102 <sup>c</sup>	
OH	5680		NOT CONNECTED ON SHT 2	RBI	N°1	
IA	1524			SCA		FIG.1B MTD REAR OF RELAY IA
				SCB		FIG.1B MTD REAR OF RELAY OH
				R1, R2	1 WATT.	FIG.1B METAL OXIDE HIGH STABILITY WITH 1% TOLERANCE
				R7, R8	1 WATT.	
				R3, R4	½ WATT	
				R5, R6	½ WATT	
				*R7		FIG.1B NOT CONNECTED ON SHT 2

NOTES - A SPECIAL FACTORS OF SAFETY B SPECIAL ADJUSTMENTS C CIRCUIT POINTS OR MODIFICATIONS

\* 8pt. base.

LAYOUT

LS R1/3/2

S B

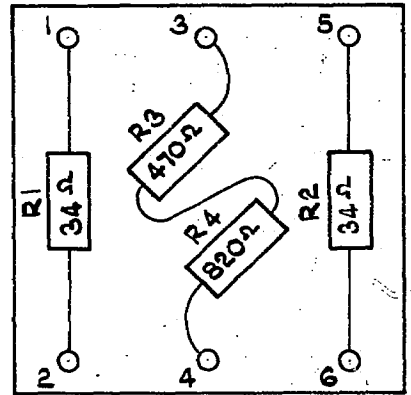
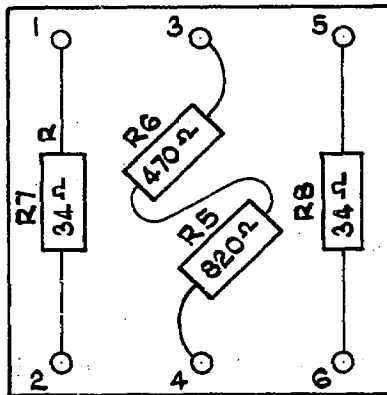
IA SS

OH RBI

\* (+) (+)

SCB LAYOUT

SCA LAYOUT



\* ON SOME EARLIER EQUIPMENTS A 10% BASE HAS BEEN USED WITH ADDITIONAL POSITIONS (+).

FU. GATEWAY EXCHANGE

NZPO

ISSUE A  
SCA & SCB  
ADDED  
10-11-70 (1960) RC

CONN. ON SHT  
2. NOTE ADD.  
(68066) (11)

ISS B 6-7-76

ORIGINATED BY

A.T. & E. COV

DATE

7-11-60

SIGNED FOR COMMITTEE

*[Signature]*