

RELAY DESIGN FOR CIRCUIT **GBW.14840**

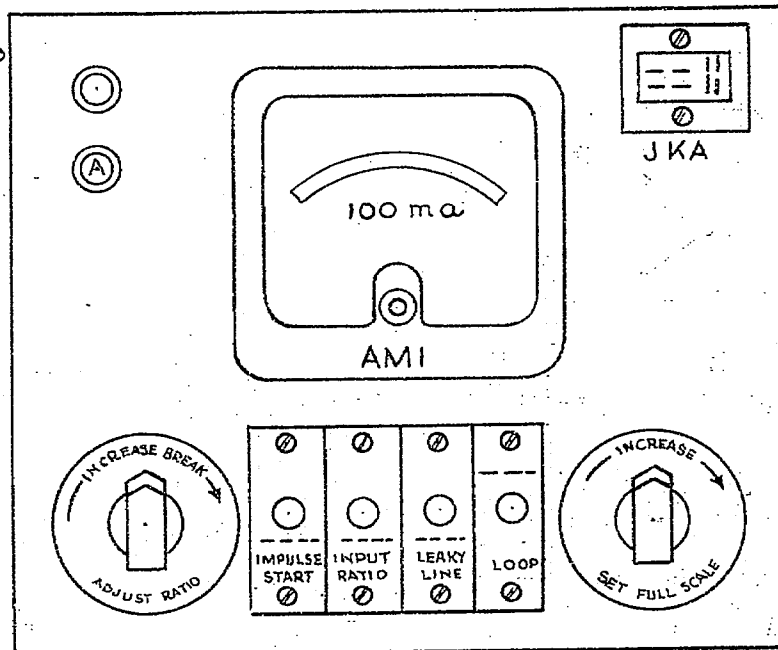
TITLE **TEST SET FOR MEASUREMENT OF IMPULSE  
DISTORTION ON AUTO TO AUTO RELAY SETS  
(2000 TYPE)**

COMMITTEE'S WIRING DIAGRAM NO. \_\_\_\_\_

RELAY NAME	COMM CODE	DEPARTURES FROM DIAGRAM		SPRING NUMBERING CONTACT UNIT NUMBER								REFERENCES TO NOTES BELOW			
		RESISTANCE	CONTACTS	1	2	3	4	5	6	7	8				
IA	5616P				3 2	23 22									
IB	H5714				K	K									
					5 4										
					2										
					C										

NOTES  
 SPECIAL FACTORS OF SAFETY A  
 SPECIAL ADJUSTMENTS B  
 CIRCUIT POINTS OF MODIFICATIONS C

CLASS	RELAY	NOTES
C1	IA	SPGS. 2 & 22 UNWIRED
C2	IB	SPG. 2 UNWIRED



FRONT EQUIPMENT

ISSUE 1-16/58  
 NO CHANGE. 155-2-16-2-05  
 ADV. (69000)  
 155-2-16-2-05

DATE 16/9/58  
 SIGNED FOR COMMITTEE S.T.C.  
 E.T.S.

RELAY DESIGN FOR CIRCUIT **GBW 14840**

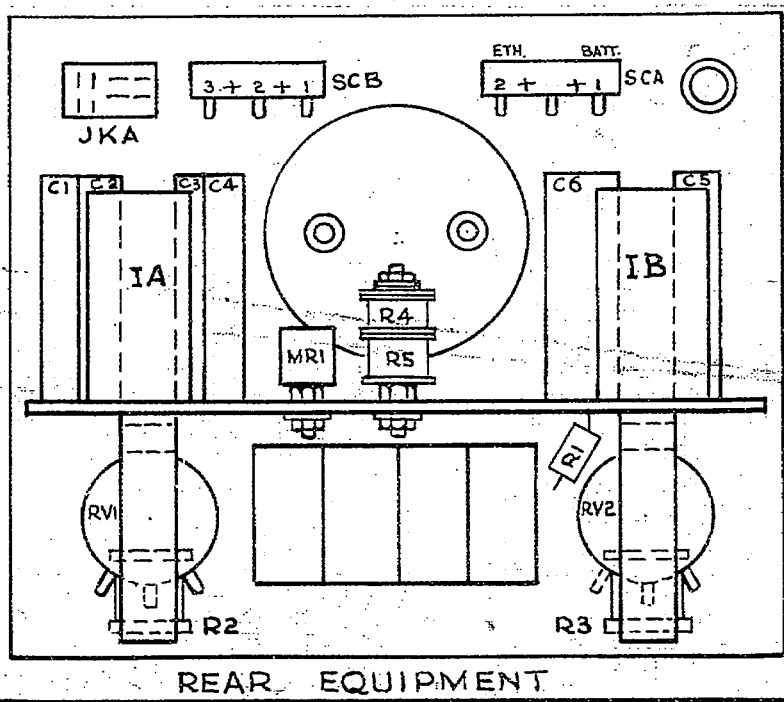
TITLE TEST SET FOR MEASUREMENT OF IMPULSE  
DISTORTION ON AUTO TO AUTO RELAY SETS  
(2000 TYPE)

COMMITTEE'S WIRING DIAGRAM NO. \_\_\_\_\_

RELAY NAME	COMM CODE	DEPARTURES FROM DIAGRAM		SPRING NUMBERING CONTACT UNIT NUMBER								REFERENCES TO NOTES BELOW	
		RESISTANCE	CONTACTS	1	2	3	4	5	6	7	8		

NOTES  
 SPECIAL FACTORS OF SAFETY A  
 SPECIAL ADJUSTMENTS B  
 CIRCUIT POINTS OF MODIFICATIONS C

CLASS RELAY NOTE: THE REAR EQUIPMENT LAYOUT MAY SHOW VARIATIONS BUT WILL ALWAYS BE SUCH THAT THE WIRING RUNS GIVEN ON THE G.B.W. DIAGRAM WILL APPLY.



REAR EQUIPMENT

ISSUE 1-16-58  
 NOTE RE REAR  
 EQPT ADDED @ 2000  
 155-2-16-2-65

DATE 16/9/58  
 SIGNED FOR COMMITTEE S.T.C.  
 E.T.S.