

GBW 13761

RELAY CODES & COMPONENTS LIST

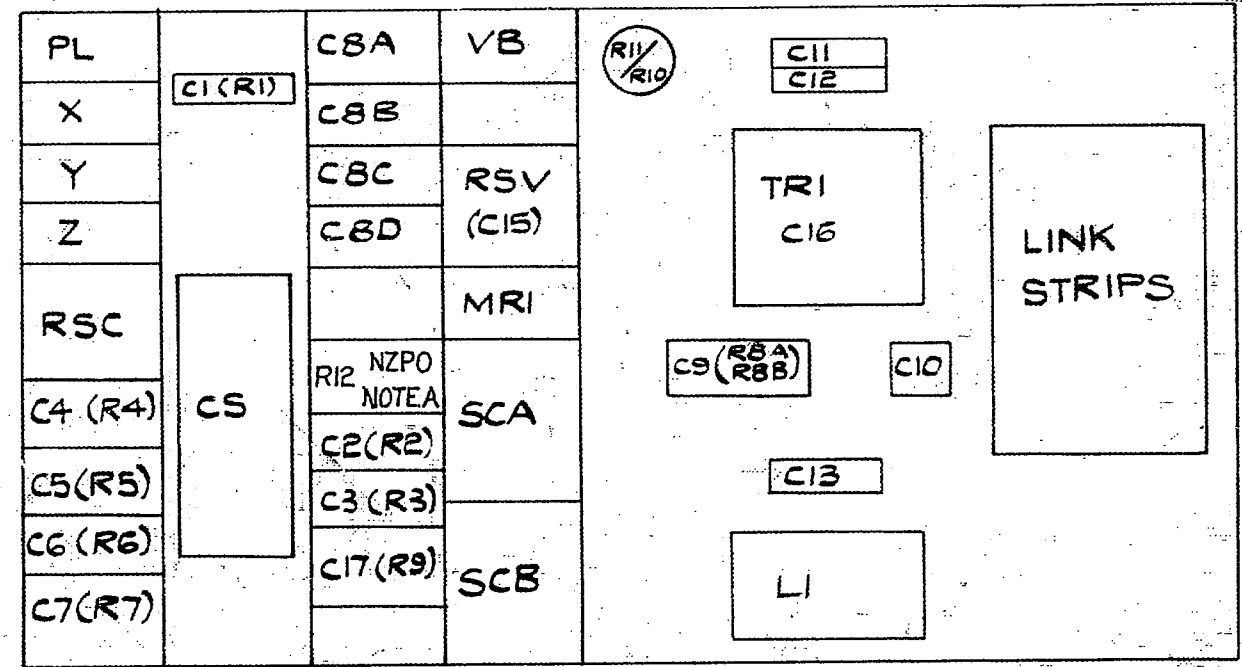
UAZ N.Z. 13 RINGING CODES FOR 5 PARTY LINES

5 Centimetres

RELAY	BCC CODE	DIAG. FIG	NOTES	COMPT. DESIGNATION	BPO CODE	NOTES
PL	21167P			C1	MC101	1 μ F
X	20985P			C2	MC100	0.5 μ F
Y	20986			C3	MC100	0.5 μ F
Z	20986			C4	MC100	0.5 μ F
VB	2620	VIBRATOR.		C5	MC100	0.5 μ F
				C6	MC100	0.5 μ F
				C7	MC100	0.5 μ F
				C8A	MC102	2 μ F
				C8B	MC102	2 μ F
				C8C	MC102	2 μ F
				C8D	MC102	2 μ F
				C9	GEC96238/C	4 μ F
				C10	GEC96238/C	4 μ F
				C11	GEC96178/C	0.5 μ F
				C12	GEC96178/C	0.5 μ F
				C13	GEC96178/C	0.5 μ F
				C15	GEC96169	0.02 μ F
				C16	GEC96169	0.02 μ F
				C17	MC101	1 μ F
				R1	N ^o .6	200 Ω
				R2	N ^o .6	10 Ω
				R3	N ^o .6	10 Ω
				R4	N ^o .6	10 Ω
				R5	N ^o .6	10 Ω
				R6	N ^o .6	10 Ω
				R7	N ^o .6	10 Ω

NOTES A SPECIAL FACTORS OF SAFETY B SPECIAL ADJUSTMENTS C CCT POINTS OF MODIFICATIONS.

LAYOUT



R1 - R9 - P.O. N^o.6 MRI - 1/2A NON-MAGNETIC COVER TO BE FITTED ON VB
 R10 - R11 - P.O. N^o.12

ISSUE 1 24-7-64 RESISTOR R12 ADDED & NZPO NOTE A ADDED SHT 2 (30127)	ISS. 1A. 15.12.71 D.L.M.	NZ. NOTE B ADDED SHT. 2 (30402)	ISS. 1B. 19.4.72 D.L.M.	ORIGINATED BY GEC
N.Z.P.O. (47663)				DATE 24.7.64
5-11-65 86.				SIGNED FOR COMMITTEE <i>[Signature]</i>

30

0
5 Centimetres
10
15
20
25
30

GBW13761

SIZE F 2 SHEET 2 OF

RELAY CODES & COMPONENTS LIST

UAX N.Z. 13 RINGING CODES FOR 5 PARTY LINES.


RELAY	BCC CODE	DIAG. FIG.	NOTES	COMPT. DESIGNATION	BPO CODE	NOTES
				R8A	Nº 6	200 ^Ω
				R8B	Nº 6	200 ^Ω
				R9	Nº 6	200 ^Ω
				R10	Nº 12	3K ^Ω
				R11	Nº 12	3K ^Ω
				MRI	1/12AZ	
				CS	2/8/10AN	
				TRI	GEC54043/A	
				LI	GEC50339	
				SCA	Nº 12IA	
				SCB	Nº 12IA	
				R12	Nº 9	200 ^Ω NZPO. NOTE A.

NOTES A SPECIAL FACTORS OF SAFETY B SPECIAL ADJUSTMENTS C CCT POINTS OF MODIFICATIONS.

LAYOUT

NZPO NOTES.

- A WHERE EXCESSIVE OVERHEATING OF CS. UNISELECTOR COIL IS EXPERIENCED ADD RESISTOR R12. SEE GBW. 13761.
- B. RESISTOR R12 WAS SHOWN AS Nº 12.

ISSUE 1 24.7.64 R12 & NZPO NOTE A ADDED(30127) ISSIA. 15.12.71 P.L.M.	N.Z. NOTE B ADDED(30402) ISS. 18.19.4.72 P.L.M.	ORIGINATED BY GEC	DATE 24.7.64
APP		NZPO (47603) 5-11-65 B.C.	SIGNED FOR COMMITTEE  N.