

RELAY CODES & COMPONENTS LIST, **GBW 13723**
 U.A.X. NZ 13 COMMON EQPT. RINGING TONES & PULSES
 USING ELECTRONIC GENERATORS

RELAY	B.C.C. CODE	DIAG FIG.	NOTES	COMPT. DESIGNATION	B.P.O. CODE	DIAG FIG.	NOTES
CF	6008	1		TP	2/42/A0	1	
FA	5071	1		TJ	Nº 1A	1	
MFA	5220	1		C2, C3 C4 & C6	MC Nº 119	1	
1 NUA	1526	1		R1		RADIO TYPE	1
2 NUA	1526	1		R2, 4, 5	Nº 9	1	
3 NUA	1526	1		R6	Nº 12	1	
4 NUA	1526	1		R7	RAD. TYPE	1	¼W TQL SL Nº ER231
PFA	1642	1		D1-3	IN 4003	1	NZPO SL Nº K905
RA	70070	1		D4-6	BY133	1	NZPO SL Nº K907
RB	70068	1					
TA	1804	1					
TN	22214	1					
TS	1529	1					
LO	22213	1					
RC	2106IP	1					
RO	2017A	1					
				SA, B, C		1	NZPO SL Nº LH814

NOTES:- A SPECIAL FACTORS OF SAFETY. B SPECIAL ADJUSTMENTS. C CIRCUIT POINTS OR MODIFICATIONS

FIG. 1

LAYOUT

RC	RO
LO	TN
CF	MFA
RA	TS
FA	XB
1 NUA	RB
2 NUA	TP
3 NUA	
4 NUA	
TA	
PFA	

CAP. SPACE	
C2	(R2)
C3	(R3)
C4	(R4)
C6	(R5)
R6	R1

MOUNTING ARRANGEMENTS

MOUNT SCA ON REAR OF RELAY TA
 MOUNT SCB ON REAR OF RELAY NUA4
 MOUNT SCC ON REAR OF RELAY XB

N.Z.P.O.
 (83617) 4-8-67

ISSUE 1 5-8-66 ISS ADVANCED NO CHANGE	ISS. 2. 23-11-66 DIA. FIG Nº WERE NOT SHOWN 'NUA' MARKING WAS DIFFERENT	ISS. 3. 3-4-67 ISSUE ADVANCED NO CHANGE.	ISS. 4. 28-7-70 ISS ADVANCED NO CHANGE.	ISS. 5. 22-5-72 ISSUE ADVANCED NO CHANGE (2280)	ISSUE 6 10-10-72 ISSUE ADVANCED NO CHANGE	ISSUE 7 2-11-73 ISSUE ADVANCED NO CHANGE (122401)	ISSUE 8 17-4-74 R1 CHANGED. R7 TR1, D1-6 ADDED INZMRY (19341) ISSUE 8A 9-5-76
--	---	--	---	---	---	--	---

ORIGINATED BY	N.Z. G.E.C.
DATE	5-8-66
SIGNED FOR COMMITTEE	J.M.FALCONER

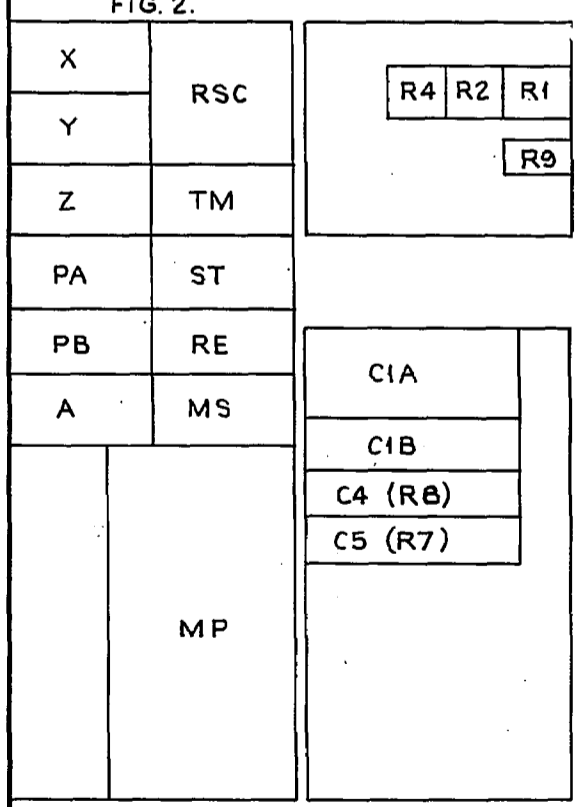
5 Centimetres 10 15 20 25 30

RELAY CODES & COMPONENTS LIST, **GBW 13723**
 U.A.X. NZ 13 COMMON EQPT. RINGING TONES & PULSES
 USING ELECTRONIC GENERATORS

RELAY	B.C.C. CODE	DIAG. FIG.	NOTES	COMPT. DESIGNATION	B.P.O. CODE	DIAG. FIG.	NOTES
XB	21060P	1		MP	2/104/AN	2	
				TJ	Nº 1A	2	
				CIA	MC Nº 103C	2	
				CIB	MC Nº 102C	2	
A	1636	2		C4	MC Nº 101	2	
				C5			
MS	22407Pd	2		(R7)	Nº 6	2	
PA	22676 Pd	2		(R8)			
PB	15397P	2		R1	Nº 9	2	
				R2			
RE	73122P	2		R4	Nº 12	2	
				R9	Nº 9	2	
ST	1640	2					
TM	1641	2		DI	BY133		NZPO 9L Nº K907.
X	2246A	2					
Y	72289P	2					
Z	2246A	2					

NOTES:- A SPECIAL FACTORS OF SAFETY. B SPECIAL ADJUSTMENTS. C CIRCUIT POINTS OR MODIFICATIONS

FIG. 2.



LAYOUT

N.Z.P.O.
(83617) 4-8-67

ISSUE 1 5.8.66 ISS ADVANCED. NO CHANGE	ISS. 2. 29.11.66 DIA. FIG. N°S WERE NOT SHOWN	ISS. 3. 3.4.67 PA WAS BCC 21062	ISSUE. 4. 28.7.70 R9 WAS NOT SHOWN NZ.NOTE DELETED	ISS. 5. 22.5.72 ISS. ADVANCED NO CHANGE (2280)	ISS. 6. 10.10.72 ISSUE ADVANCED NO CHANGE	ISSUE 7 2.11.73 ISSUE ADVANCED NO CHANGE (122401)	ISSUE 8 17.4.74 DI ADDED NEW (19341)	ISSUE 8A 9.5.78	ORIGINATED BY	N.Z. G.E.C.
									DATE	5.8.66
									SIGNED FOR COMMITTEE	J.M.F

Centimetres

10

15

20

25

30

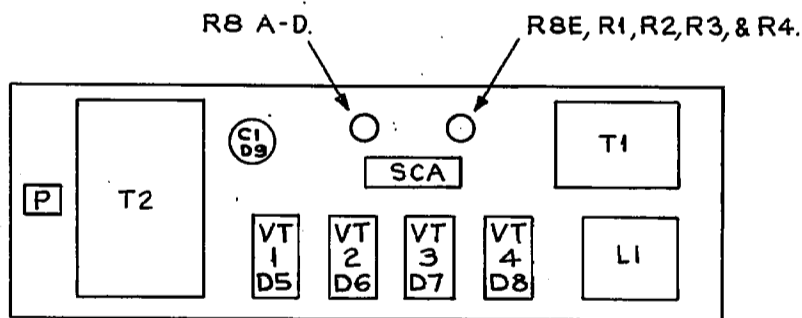
RELAY CODES & COMPONENTS LIST, **GBW 13723**
 U.A.X. NZ 13 COMMON EQPT. RINGING TONES & PULSE USING
 ELECTRONIC GENERATORS

RELAY	B.C.C. CODE	DIAG. FIG.	NOTES	COMPT. DESIGNATION	B.P.O. CODE	DIAG. FIG.	NOTES
				C1	ELECTROLYTIC 1500µF	3	PLESSEY TYPE CE 22193/8
				R1-R4	Nº 12	3	
				R8A-8E	Nº 9	3	
				R5, 6 & 7	ERIE CERAMIC INSULATED (COLD MOULD)	3	W'REI END ON 'SCA'
				SCA	145 DN	3	
				VTI-VT4	OC20	3	MOUNTED ON HEAT SINKS.
				DI-D4	CV 7026		MOUNTED ON 'SCA'
				D5-D8	CV 7316		MOUNTED WITH VTI-VT4
				D9			MULLARD BZW95 SEL T ²
							TO GEC SPEC PP48132/4
				T1		3	GEC CODE-54533 'A'
				T2		3	GEC CODE-52567 'C'
				L1		3	GEC CODE CP 50339
				P	8 WAY PLUG	3	PAINTON TYPE

NOTES:- A SPECIAL FACTORS OF SAFETY · B SPECIAL ADJUSTMENTS. C CIRCUIT POINTS OR MODIFICATIONS

LAYOUT

FIG. 3.



N.Z.P.O.
(83617) 4-8-67

ISSUE 1. 5. 8. 66 FIG. NO. AMENDED ISS. 2. 23.11.66 RELAYS BT & DT WERE SHOWN DI-4 WAS MRI-4 ISS. 3. 3. 4. 67 ISS. ADVANCED NO CHANGE ISS. 4. 28. 7. 70 ISS. ADVANCED NO CHANGE ISS. 5. 22. 5. 72 ISS. ADVANCED NO CHANGE (2280) ISS. 6. 10. 10. 72 D5-D9 WERE NOT SHOWN ISSUE 7 2-11-73 CODE OF D9 CORRECTED (1224-01) ISSUE 8 17. 4. 74 SHTS. 1 & 2 AMD. NO CHANGE (193411) ISSUE 8A 9-5-78	APD	DLM	DLM	DLM	DLM	SRH	ORIGINATED BY	N.Z. G.E.C.
							DATE	5 8 66
							SIGNED FOR COMMITTEE	J. M. F.

Centimetres

5

10

15

20

25

30

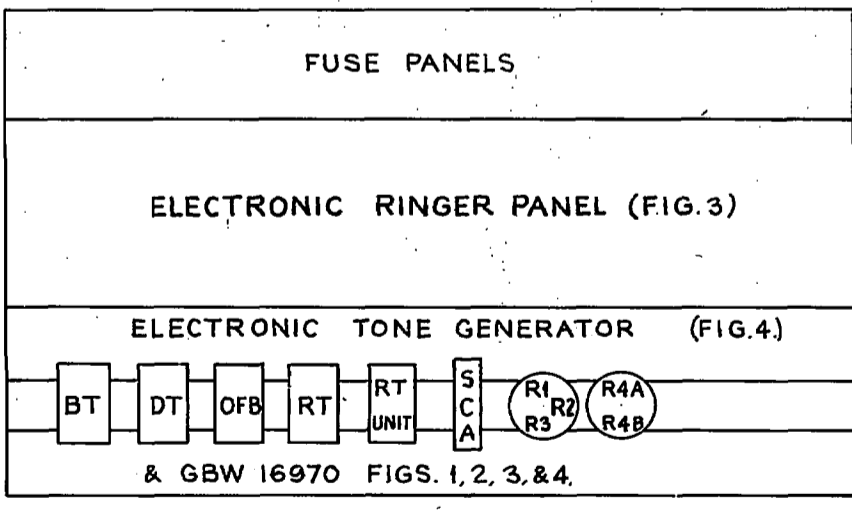
RELAY CODES & COMPONENTS LIST, **GBW 13723**
 U.A.X. NZ 13 COMMON EQPT. RINGING TONES & PULSES
 USING ELECTRONIC GENERATORS.

5 Centimetres 10 15 20 25 30

RELAY	B.C.C. CODE	DIAG FIG.	NOTES	COMPT DESIGNATION	B.P.O. CODE	DIAG FIG.	NOTES
OFB	22007	4		BT & DT			GEC CODE 54637/4
RT	22007	4					
BT	22007	4		OFB			GEC CODE 54637/5
DT	22007	4		RT			GEC CODE 54637/6
				RT UNIT			GE CODE 55170
				R1-3 R4A,R4B		Nº 9	
				DI-3	CV7093 OR CV7411 OR EQUIV.		ON 'SCA'
				SCA	145 DN.		

NOTES: - A SPECIAL FACTORS OF SAFETY. B SPECIAL ADJUSTMENTS. C CIRCUIT POINTS OR MODIFICATIONS

LAYOUT



N.Z.P.O.
(83617) 4-8-67

ISSUE 1 5.8.66 FIG. NO. AMENDED REF TO GBW 16970 ADDED	ISS. 2. 23.11.66 BT & DT WERE NO SHOWN DI-3 WAS MRI-3 OFB WAS OBT	ISS. 3. 3.4.67 ISSUE ADVANCED NO CHANGE	ISS. 4. 28.7.70 ISSUE ADVANCED NO CHANGE	ISSUE 5. 22.5.72 ALTERNATIVE CODE FOR DI-3 WAS NOT SHOWN (2280)	ISS. 6. 10.10.72 ISSUE ADVANCED NO CHANGE	ISSUE 7 2.11.73 ISSUE ADVANCED NO CHANGE (122401)	ISSUE 8 17.4.74 SH15 18.2. AMD. NO CHANGE (193411)	ISSUE 8A 9.5.78	ORIGINATED BY	N.Z. G.E.C.
									DATE	5.8.66
									SIGNED FOR COMMITTEE	J.M.F