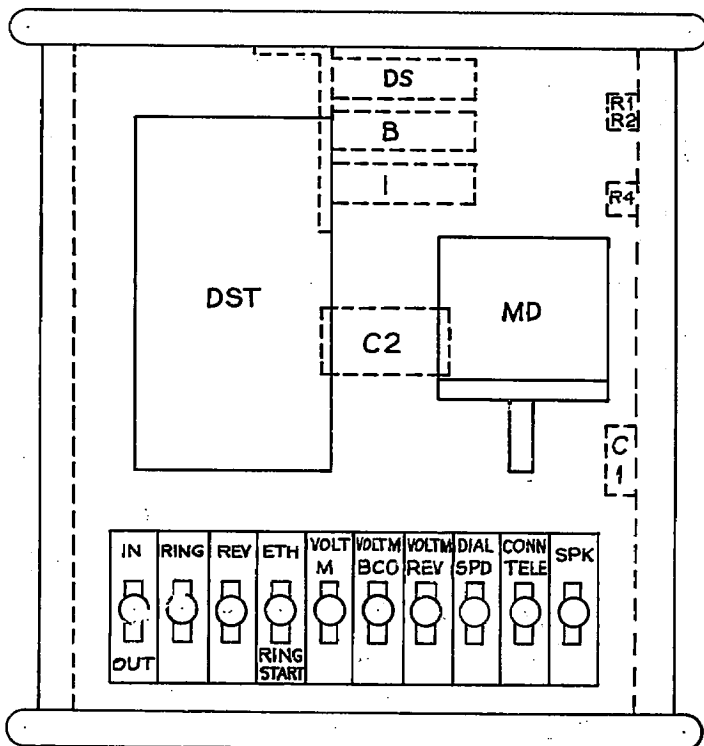


RELAY CODES & COMPONENTS LIST, **GBW 13710 MODA**
 MULTI-PARTY LINE UNIT. LINE TESTING CIRCUIT
 FOR USE AT REMOTE 'M' UNITS

RELAY	B.C.C. CODE	DIAG FIG.	NOTES	COMPT. DESIGNATION	B.P.O. CODE	DIAG FIG.	NOTES
B	10953			C1			
				C2			
DS	HSD 504						
I	2022			R1	Nº 12		
				R2	Nº 12		
				R3	Nº 6		
				R4	Nº 12		
				DST	Nº 43		DIAL SPEED TESTER
				MD	Nº 4		DETECTOR
				KE	68		
				KI & KO	236		
				KR	291		
				KRV & KRS	212		
				KM	68		
				KBCO	72		
				KMR	68		
				KDS	68		
				KS	68		
				KCT	68		

NOTES: - A SPECIAL FACTORS OF SAFETY. B SPECIAL ADJUSTMENTS. C CIRCUIT POINTS OR MODIFICATIONS

LAYOUT



NZPO (30510) 21-8-72

PREPARED FROM APD
 GBW 13710
 ISSUE 1 OF
 18-7-56

ISSUE A

ORIGINATED BY
 DATE

0
5 Centimetres
10
15
20
25
30