

RELAY CODES & COMPONENTS LIST **GBW 13250**

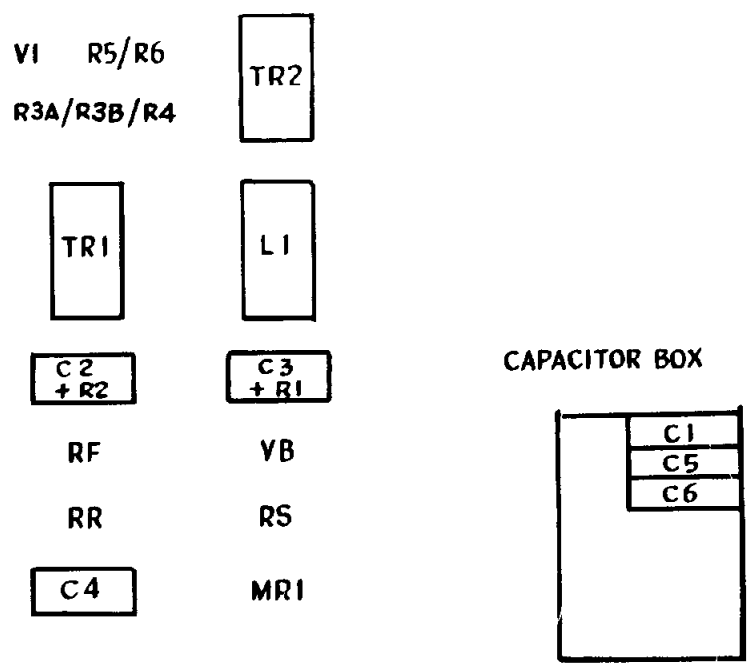
20, 35 & 49 LINE PABX

RINGING & TONES CIRCUIT

| RELAY | BCC CODE | DIAG FIG | NOTES | COMPT DESIGN | BPO CODE | NOTES          |
|-------|----------|----------|-------|--------------|----------|----------------|
| RF    | 5246     |          |       | TR1          | 3/199 A  |                |
|       |          |          |       | TR2          | -        | ET CODE N22199 |
| RR    | 4267     |          |       | L1           | 3/111A   |                |
| RS    | 4420P    |          |       | R1,R2        | 6        |                |
|       |          |          |       | R3A,R3B      | 9        |                |
| VB    | 60115P   |          | CI    | R4           | 9        |                |
|       |          |          |       | R5           | 12       |                |
|       |          |          |       | R6           | 12       |                |
|       |          |          |       | CI           | 103C     |                |
|       |          |          |       | C2,C3,C4     | 102C     |                |
|       |          |          |       | C5           | 100      |                |
|       |          |          |       | C6           | 106      |                |
|       |          |          |       | MRI          | 4/6AZ    |                |
|       |          |          |       | TJ           | 1A       |                |
|       |          |          |       | VI           | -        | CV1959 *       |

NOTES A SPECIAL FACTORS OF SAFETY B SPECIAL ADJUSTMENTS C CCT POINTS OR MODIFICATIONS  
 CI SPG 23 UNWIRED LAYOUT

\* COMMERCIAL EQUIVALENT AVAILABLE FROM - PINNACLE ELECTRONICS LTD, ACHILLES STREET, LONDON SE 14 AS THEIR P602



NZPO  
 (16025) 21770  
 ISSUE 18 3 70

|  |                      |         |
|--|----------------------|---------|
|  | ORIGINATED BY        | ET      |
|  | DATE                 | 18-3-70 |
|  | SIGNED FOR COMMITTEE |         |