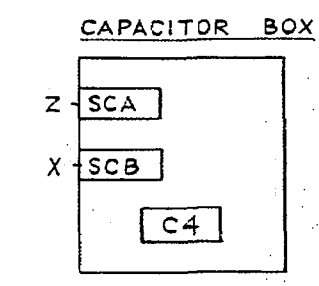
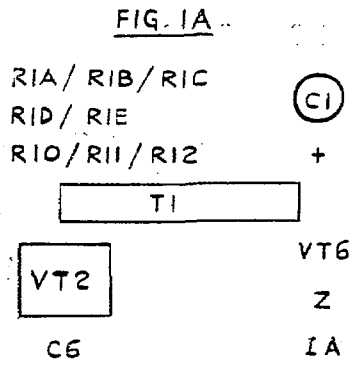


RELAY CODES & COMPONENTS LIST GBW 10822
GRADUATED HOWLER

RELAY	B.C.C. CODE	DIAG. FIG.	NOTES	COMPT. DESIGN	B.P.O. CODE	NOTES
Z	40484P	1A		RIAR1B, RIC,R1D RIE	P.O. N° 9	
IA	40485	1A		R2,R3,R4, R5,R6,R7 R8,R9	P.O. N° 16FD	
X	6001	3A,3B		R10,R11,R12	P.O. N° 9	
Y	2097	3A,3B		C1		HUNTS TYPE KA 108CT.
LR	40174	3A,3B		C2	P.O. 8017B 0.1μF	
				C3	P.O. 8017B 0.22μF	
				C4		PLESSEY 'HYPERLYTIC' CE 22090
				C5	P.O. 8017B 0.01μF	
				C6		PLESSEY 'HYPERLYTIC' CE 22129/12
				VT1	ACY 17	
				VT2	OC28	WITH HEAT SINK 30 SQ. INS. SURFACE AREA IN 10S.W.G ALUMINIUM.
				VT3,VT4 VT5	ACY 20	
				VT6	OC35	
				TI		ET. CODE N23841 AI.
				R1,R2	P.O. N° 9	FIGS. 3A & 3B
				C1,C2	N° 102C	
				KRT	N° 68	FIG 1B
				MR1		DA000 OR EQUIV.

NOTES - A SPECIAL FACTORS OF SAFETY. B SPECIAL ADJUSTMENTS. C CCT POINTS OR MODIFICATIONS



LAYOUT

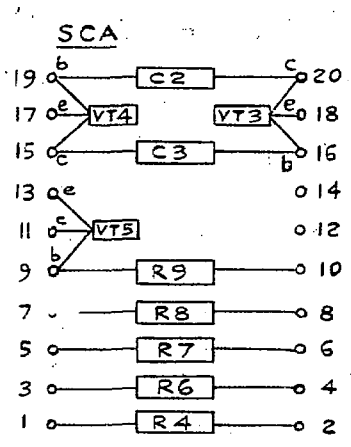
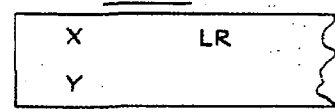


FIG. 3



N.Z.P.O. (82678) 26.G.64. A.6

ISSUE 23-4-64	ORIGINATED BY	ET
FIG 1B 3A & 3B COMPONENTS ADD. (89725)	DATE	23-4-64
2. 29-6-64	SIGNED FOR COMMITTEE	
CODE OF C1 CHANGED.		
3. 26-3-65		
MR1 ADDED (90/59472)		
4. 11-1-66		

