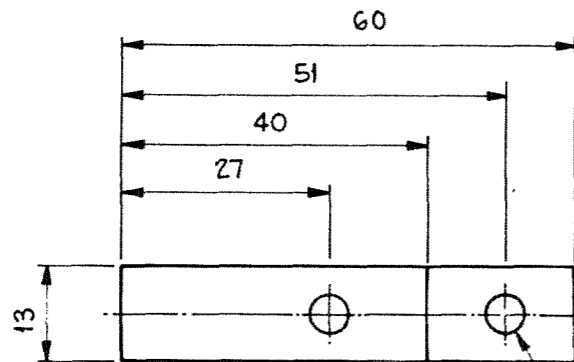


FUSE MOUNTING BLOCK

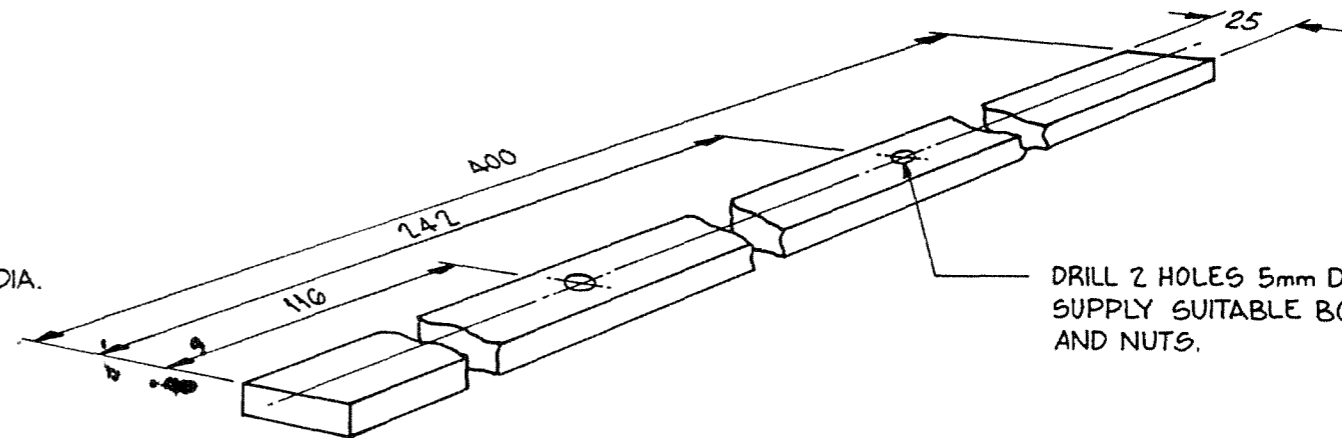
PICTORIAL  
NOT TO SCALE

QUANTITY : 1 OFF PER A-UNIT

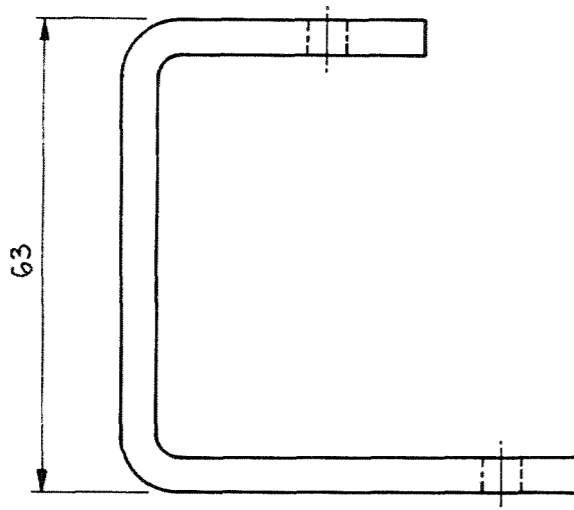
DEL	CKD	APD	ORDER	DATE	ISS	CHANGE	NZPO ENGINEER-IN-CHIEF, WELLINGTON
RPT	GRH	NTE	68031	29-9-75	A		FUSE MOUNTING AND CABLE FORMS FOR U.A.X A-UNITS U.A.X NZ 13/NEC LOCAL REGISTER SYSTEM ASSEMBLY
							1 OF 3
							A4
						ORIGIN: TEL-EQPT DWN: RPT TCD: RPT	40031



DRILL 2 HOLES 5mm DIA.

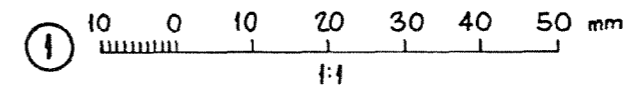


DRILL 2 HOLES 5mm DIA.  
SUPPLY SUITABLE BOLTS  
AND NUTS.



①  
**MATERIAL** : 5mm STEEL BAR BENT TO SHAPE.  
**FINISH** : NO ROUGH EDGES. PAINT LIGHT STRAW.  
**QUANTITY** : 2 OFF

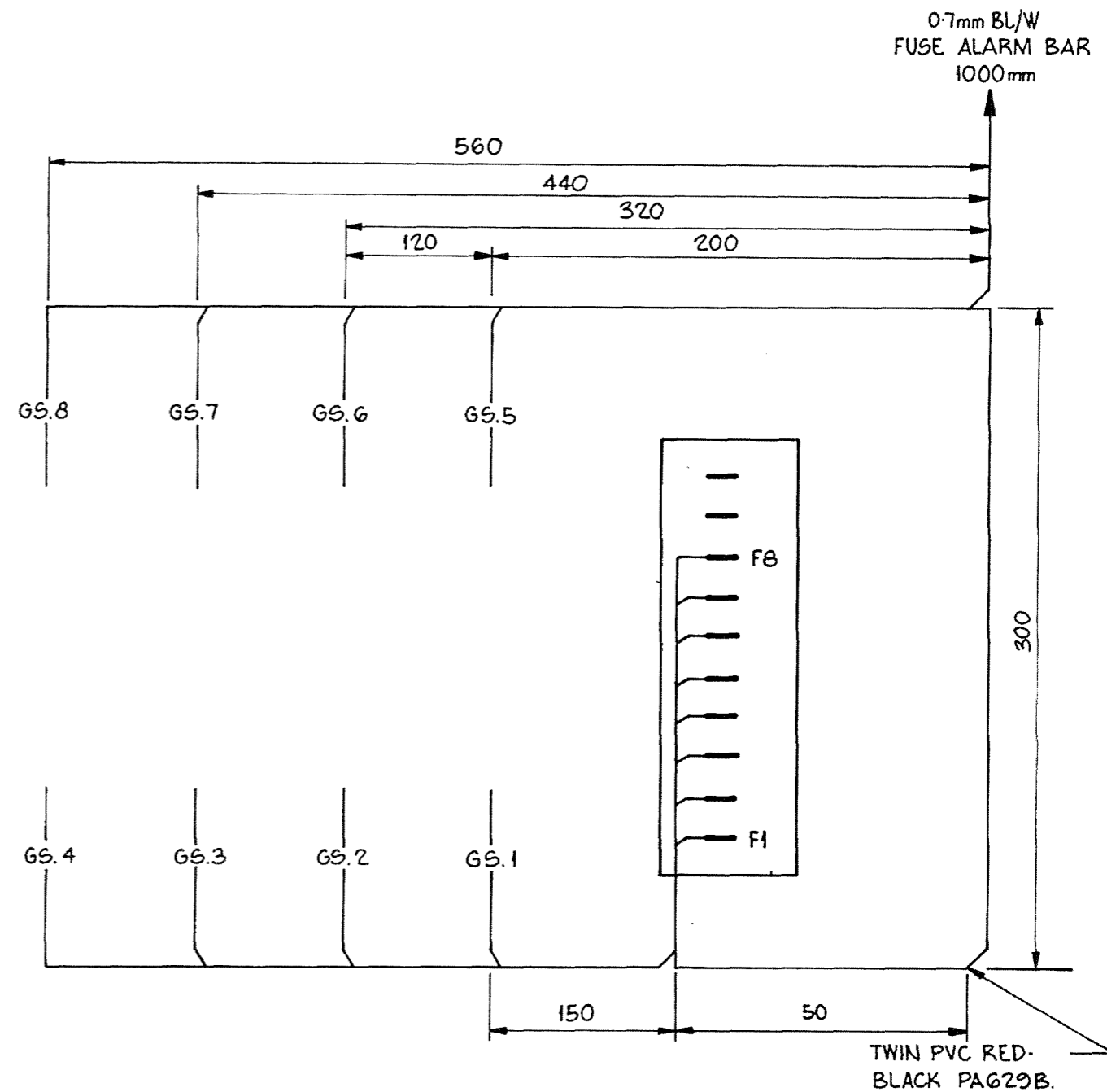
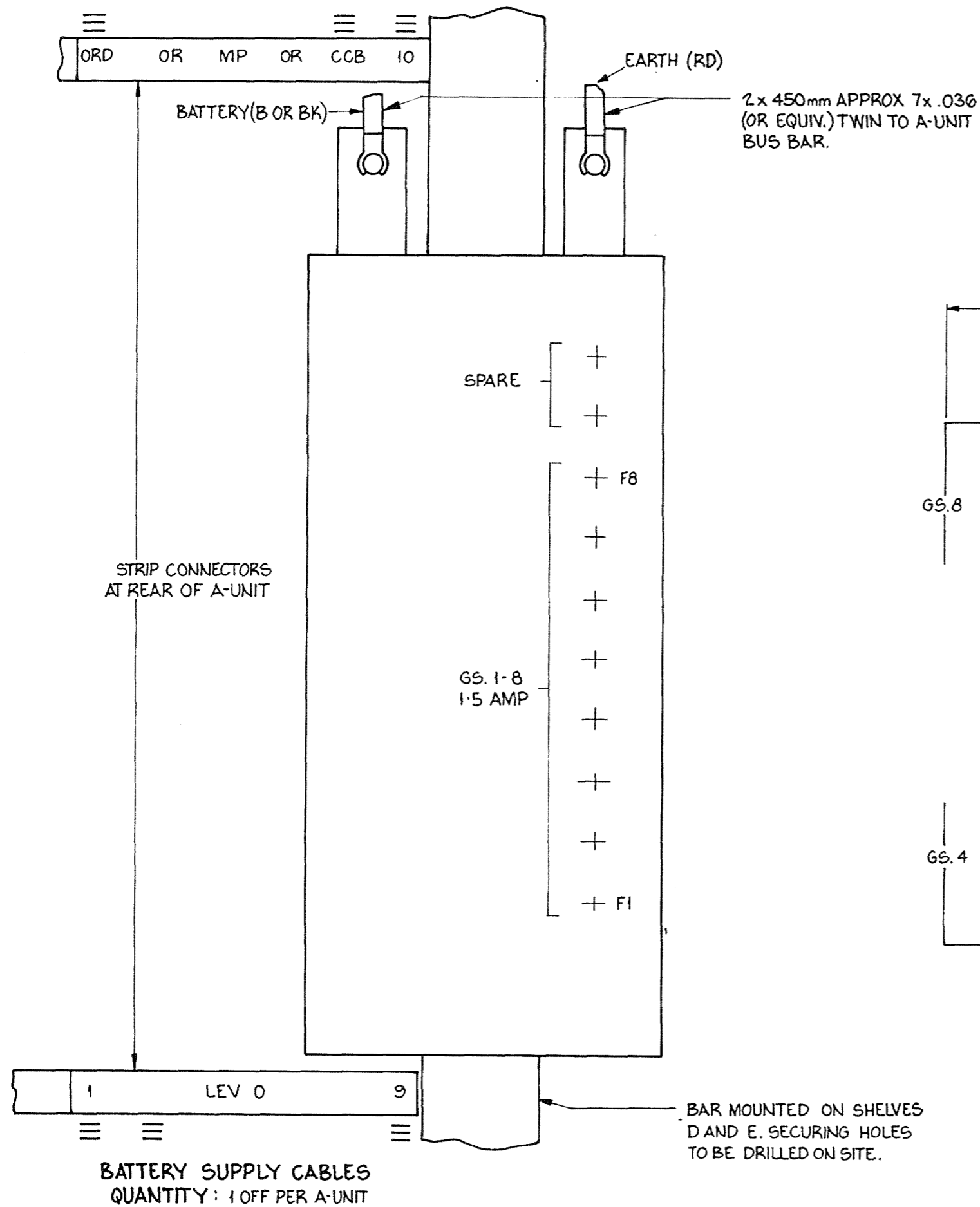
②  
**MATERIAL** : 6mm STEEL BAR.  
**FINISH** : NO ROUGH EDGES.  
 PAINT LIGHT STRAW  
**QUANTITY** : 1 OFF  
**SCALE** : NOT TO SCALE  
**NOTE** : 2 HOLES, (1 EACH END OF BAR),  
 NOT SHOWN TO BE DRILLED ON  
 SITE



FUSE MOUNTING AND CABLE FORMS FOR  
 U.A.X A-UNITS U.A.X NZ 13/NEC  
 LOCAL REGISTER SYSTEM  
 MANUFACTURING DETAILS

DEL	CKD	APD	ORDER	DATE	ISS	CHANGE
RPT	GRH	NTE	08031	25-9-75	A	

NZPO ENGINEER-IN-CHIEF, WELLINGTON	
ORIGIN: T-EQPT	
2 OF 3	DRAWN: RPT
A3	40031



MAKE-UP FORM FOR FUSES 1-8 ON  
GROUP SELECTORS  
DIAGRAMMATIC ONLY  
NOT TO SCALE  
CABLE FORM FOR GROUP SELECTOR  
FUSING  
QUANTITY: 1 OFF PER A-UNIT

FUSE MOUNTING AND CABLE FORMS FOR U.A.X A-UNITS U.A.X NZ 13/NEC LOCAL REGISTER SYSTEM CABLE FORMS						DEL	CKD	APD	ORDER	DATE	ISS	CHANGE		NZPO ENGINEER-IN-CHIEF, WELLINGTON	
						RPT	GRH	NTE	68031	29-9-75	A				
											3 OF 3	DRAWN: RPT	TRACED: RPT		
											A3	40031			