

- NOTES:**
- 1.1 FUSING 1.5A PER CIRCUIT.
  - 1.2 U LINK POSITION FOR BUSYING RELAY SET TO BUSY O/G CALLS ONLY, SHIFT U LINK FROM TJ11 & 12 TO TJ1 & 2 TO BUSY O/G CALLS & I/C CALLS, SHIFT U LINK FROM TJ11 & 12 TO TJ7 & 8 TO BUSY O/G CALLS FROM UAX ONLY, BUSY TO BE APPLIED AT DISTANT END.
  - 1.3 TO BAR, ACCESS FROM GROUP SELECTOR, INSERT U LINK IN TJ1 & 2.
  - 1.4 FL RELAY NORMALLY OPERATED
  - 1.5 WHEN SIMPLEX SIGNALLING OVER 4 WIRE CIRCUIT IS REQUIRED, STRAP E TO U Pt. 24 & M TO U Pt. 19, OMIT WIRING E TO U Pt. 20 & M TO U Pt. 21.
  - 1.6 ALL WIRING TO BE 25SWG UNLESS OTHERWISE SPECIFIED.
  - 1.7 Ø FOR WIRING SEE GBW 10640 OR EQUIV.
  - 1.8 WHEN ADDITIONAL COMPROMISE CAPACITANCE IS SPECIFIED CONNECT AS SHOWN
  - 1.9 U-POINTS 9 & 11, 14 & 16, 21 & 23 TO MAKE CONTACT WHEN RELAY SET IS REMOVED.
  - 1.10 CAPACITORS C2 & C3, C4 & C5 TO BE MATCHED PAIR.
  - 1.11 PADS UE1 & Z PROVIDED WHEN SPECIFIED

BATT: BK 225WG FUSE 5B2 U12-V-R3Ab-R3Bb-R4Ab-R4Bb-Be CDc-CLc-De-FLc-SCA36-MM2-R5e-RTe-SSe-SWAe-ARe-R5Ab-R5Bb-R10b.  
 ETH: R 225WG ETH 5A2 U14-R-T1/T2E-B21-BB2-CL22-D4-FL22-RR21-R522-RT2-5d-5521-5528-556-AR28-AR1-TJ2-TJ8-R2b  
 U23 (NOTE 1.9)

**50V**

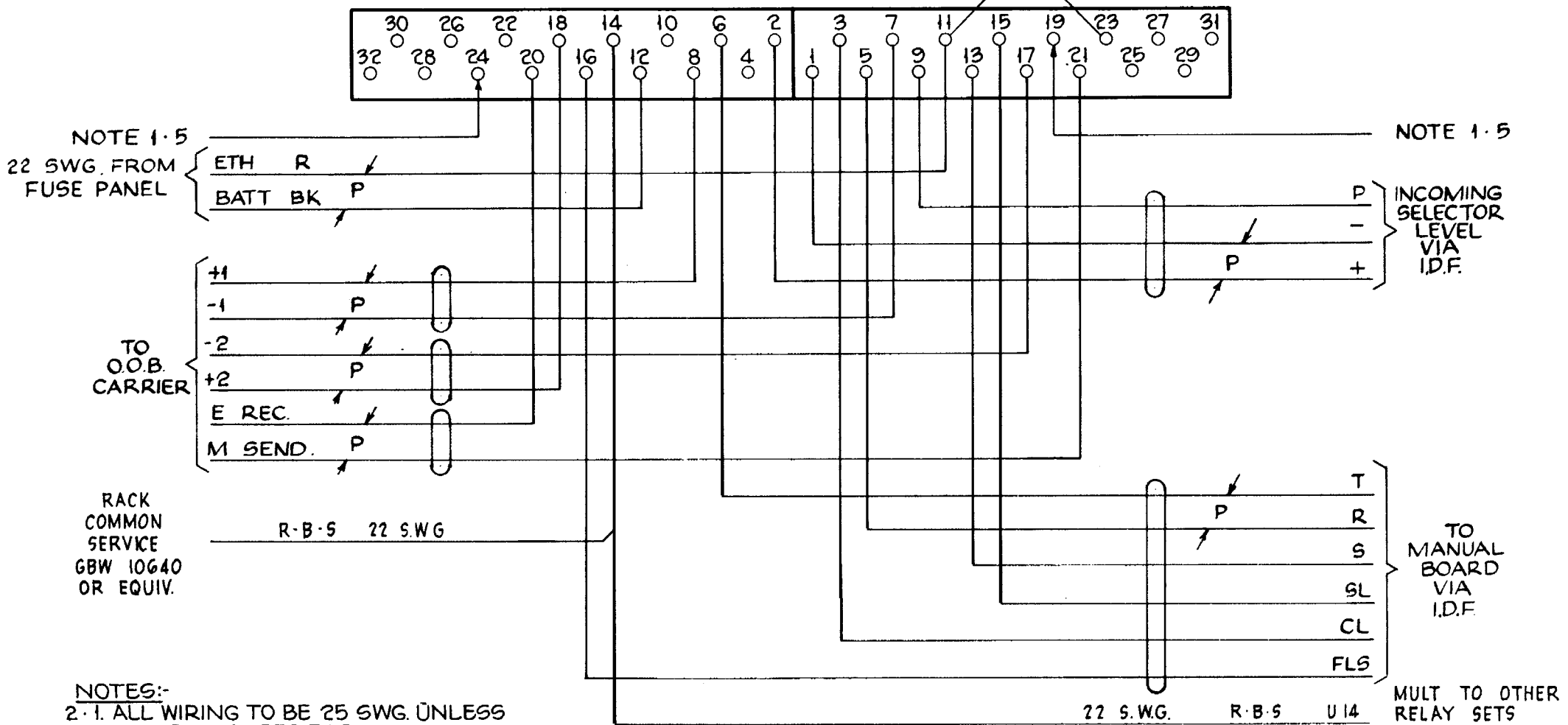
**BOTHWAY JUNCTION RELAY SET  
WITH SELECTOR LEVEL ACCESS  
O.O.B, WESCS PARENT EXCHANGE  
TO UAX NZ 13.**

DEL	CHK	APP	ORDER	DATE	ISS	CHANGE

NZPO  
ENGINEER-IN-CHIEF - WELLINGTON  
ORIGIN: TEOPT  
DRAWN: TEOPT TRACED: B44

OF 4  
A1 37773

AS SEEN FROM THE REAR



NOTES:-

- 2-1 ALL WIRING TO BE 25 SWG. UNLESS OTHERWISE SPECIFIED.
- 2-2 U POINTS 9 & 11, 14 & 16, 21 & 23 TO MAKE CONTACT WHEN RELAY SET REMOVED.

**BOTHWAY JUNCTION RELAY SET  
WITH SELECTOR LEVEL ACCESS  
O-O-B, WESCS PARENT EXCHANGE,  
TO UAX NZ 13**

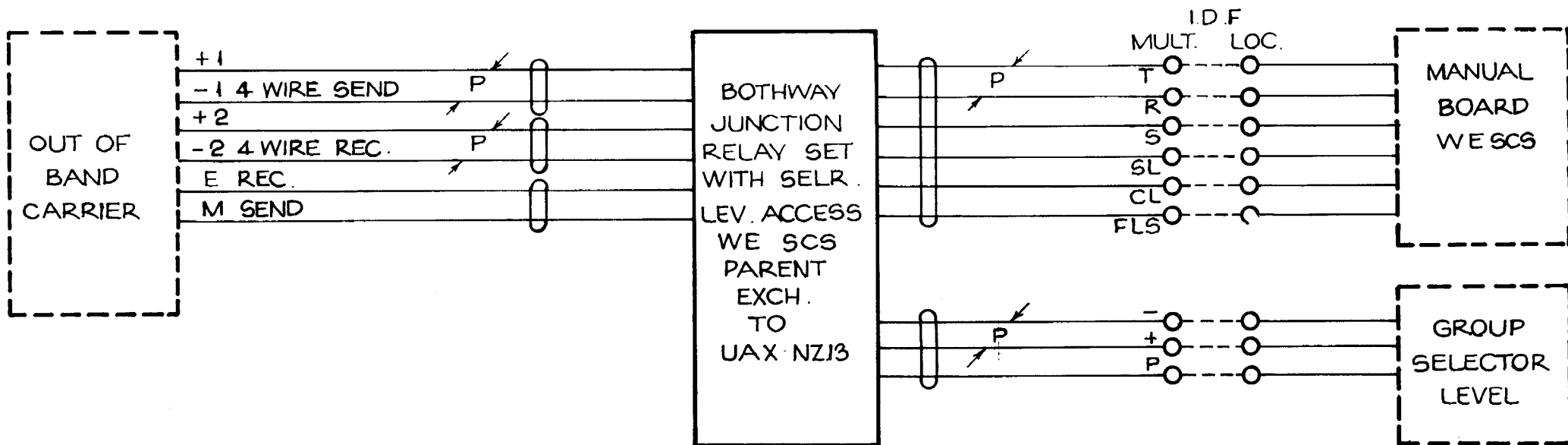
DEL	CKD	APD	ORDER	DATE	ISS	CHANGE
PLC	K.G.	CJW	18323	27-1-72	A	

N.Z.P.O.  
ENGINEER-IN-CHIEF, WELLINGTON

COY. No: \_\_\_\_\_ ORIGIN: T.EQPT.

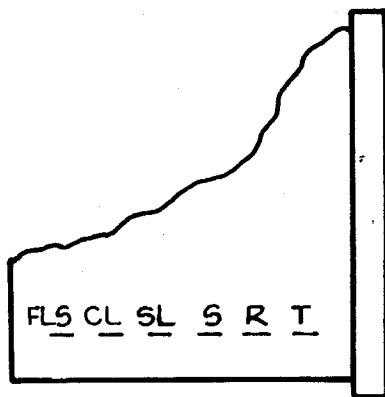
**2** OF 4 DRAWN: T.EQPT. TRACED: *PLC*

**A4** 37773

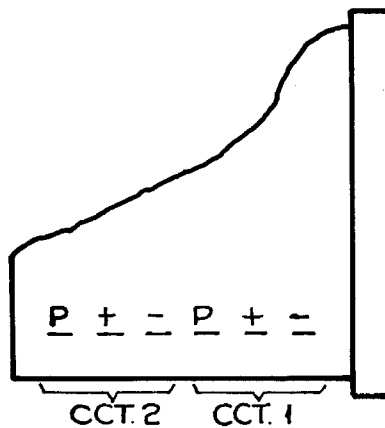


MARKING ON I.D.F.

20  
37773  
B/W  
JUNG  
WE  
SCS  
1



37773  
1/C  
CCT5  
FROM  
SELR.  
LEVS.



**BOTHWAY JUNCTION RELAY SET  
WITH SELECTOR LEVEL ACCESS  
O.O.B., WE SCS PARENT EXCHANGE  
TO UAX N.Z. 13 .**

DEL	CKD	APP	ORDER	DATE	ISS
266	K.G.	C.J.W.	18323	27-1-72	A

CHANGE

N Z P O	
ENGINEER-IN-CHIEF, WELLINGTON	
COY No:	ORIGIN: T-EQPT.
<b>3 OF 4</b>	DRAWN: T-EQPT. TRACED: <i>g.l.w.</i>
<b>A4</b>	<b>37773</b>

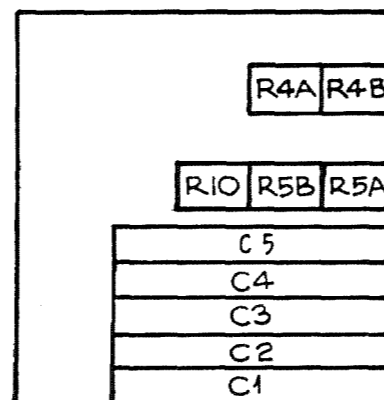
# RELAY CODES AND COMPONENTS LIST

RELAY NAME	B.C.C. CODE	N.Z.P.O. CODE	B.P.O. CODE	COY CODE	NOTES	STOCK LIST NO	COMPONENT DESIGNATION	B.P.O. CODE	COY CODE	NOTES	STOCK LIST NO	MISC. COMPONENTS	NOTES	STOCK LIST NO
A	H5D710				B	LD90B	R1		RADIO TYPE	100 <sup>n</sup> 1/4W 1%	ER852B	MTG. PLATE	R52/3000/22 NOTE 4.3	LH690
AA	H5501				B	WS	R2	12		150 <sup>n</sup>	KB141	PLUG	32 Pt 3201 NOTE 4.3	LH679
B	B15131					WS	R3A & 3B	9		300 <sup>n</sup>	KB 226	TEST JACK	2IG 12Pt	LC148
BB	B5684					WS	R4A, R4B	9			KB 226	STRIP CONN.	176A (SCA)	LH664
CD		5054OPD5				WS	R5A, R5B	9			KB 226			
CL	B2007					WS	R6	9		800 <sup>n</sup>	KB327			
D	B5945					WS	R7		RADIO TYPE	910 <sup>n</sup> 1/2W	ER525	RESIS. POST	3.5, 2.5	KB9B, 9A
FL	B13620					LI44c	R8	12		3K	KB388	LINK	TYPE N	LC215 & 6
MM		50528AB				LI08	R9		RA 10 TYPE	47K 1/2W 5%	ER354	GUARD	1/8GU/54 (SPRING)	LE794
RP	H5D509				B	WS	C1	103C		4 <sup>n</sup> F	KC389			
RR	B5605					WS	C2-3	102C		2 <sup>n</sup> F MATCHED PAIR	KC311			
RS		50418PD5				L275	D1-10		IN 4003	DIODE NOTE 4.1	K905			
RT		50418PD5				L275	RX1	2		RESISTOR, NON LINEAR	K996			
S		54202AD3				LI64F	T1/T2		(5P 149)	ITI TERM. UNIT HYBRID	CA15			
SS	B75542P					WS	C4-5	101		1 <sup>n</sup> F MATCHED PAIR	KC251			
SWA	B7027					LI25	UE1 & 2			0-3.5 & 0-5.5dB PADS NZPO 37762 FIGS. 5 & 7 (OR EQUIV.) WHEN SPECIFIED				
AR	B2556					WS								

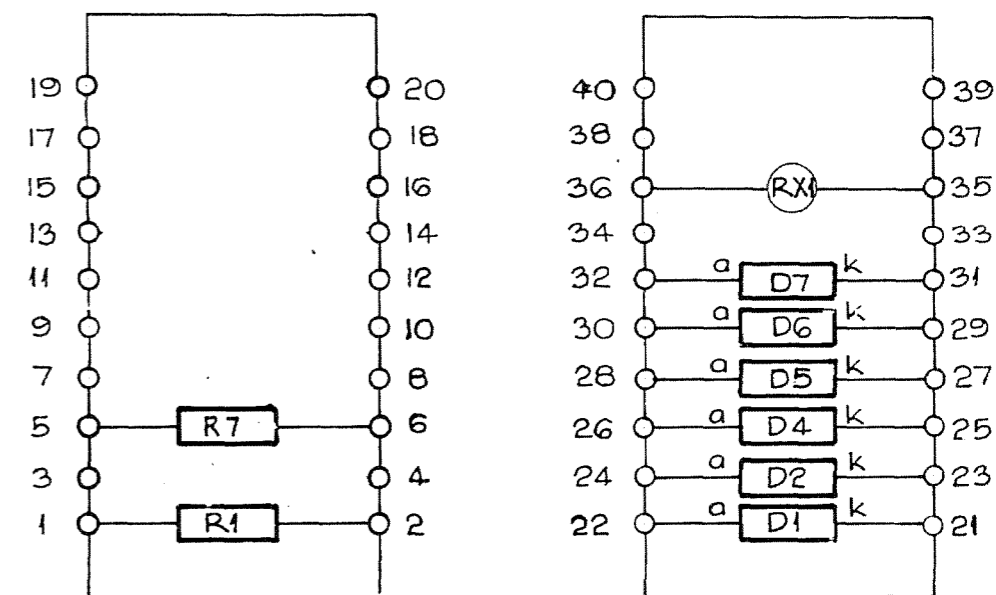
### NOTES

A - SPECIAL FACTORS OF SAFETY B - SPECIAL ADJUST. C - CCT. POINTS OR MODS.

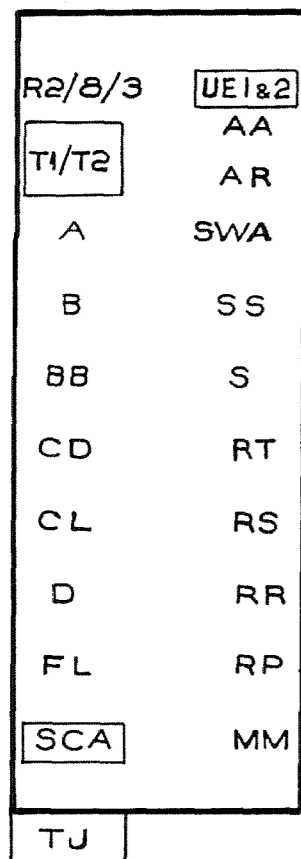
### CAP BOX



### SCA



### FRONT VIEW



### NOTES.

- 4.1 DIODES D3, D8, D9 & D10 MTD. ON COIL TAGS OF RELAYS RR, B, CD & CL RESPECTIVELY.
- 4.2 \* SPRING GUARD TO BE FITTED.
- 4.3 U-POINTS 7 & 8, 17 & 18 NICKEL SILVER SPRINGS & BLADES TO BE REPLACED WITH CORRESPONDING SILVER SPRINGS & BLADES WHEN THESE BECOME AVAILABLE.

**BOTHWAY JUNCTION RELAY SET  
WITH SELECTOR LEVEL ACCESS  
O.O.B, WESCS PARENT EXCHANGE,  
TO UAX NZ 13**

DEL	CKD	APD	ORDER	DATE	ISS	CHANGE	N Z P O	
2/4/	KG.	CJW	18323	27-1-72	A		ENGINEER-IN-CHIEF WELLINGTON	
							COY. NO.:	ORIGIN: T-EQPT.
							4 OF 4	DRAWN: T-EQPT. TRACED: <i>BB</i>
							A3	37773