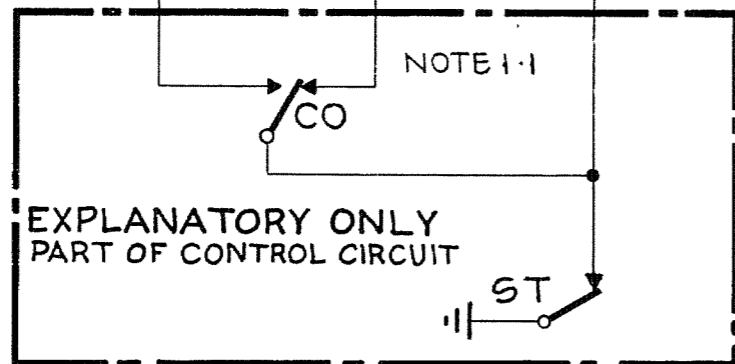
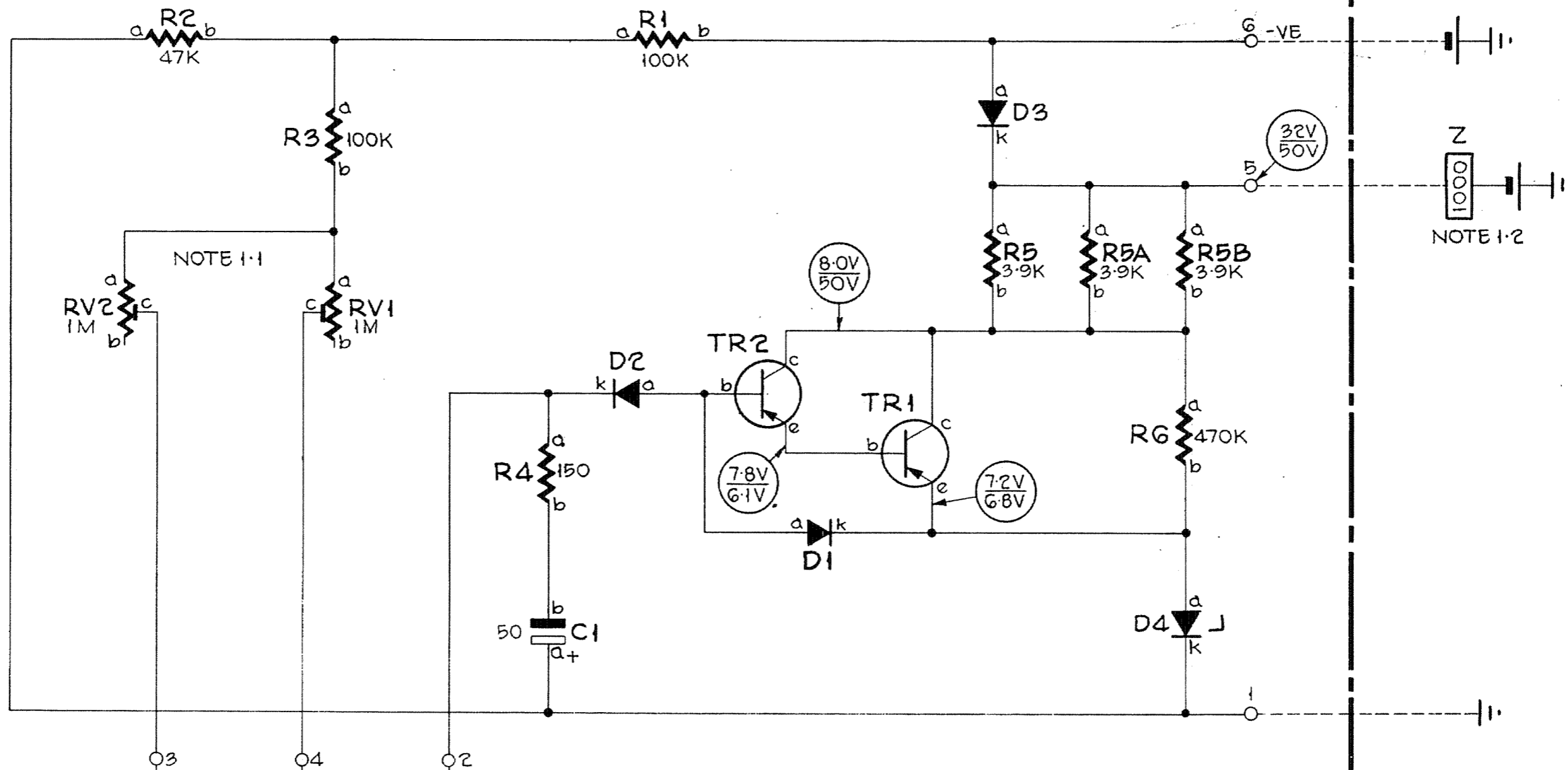


FIG. 1

EXPLANATORY ONLY



NOTES:-

- 1:1. USING DESIGN VALUES CO SPRINGSET PROVIDES 2 DELAY PERIODS FROM 10 TO 25 SECONDS, ADJUST RV1 AND RV2 FOR DELAY REQUIRED
- 1:2. RELAY Z OPERATES AFTER TIMED INTERVAL. RELAY COIL RESISTANCE SHOULD BE 1000 OHMS.
- 1:3. TYPICAL VOLTAGE FIGURES SHOWN ARE NEGATIVE IN RESPECT TO EARTH MEASURED ON MODEL B AVO. VOLTAGE UNDERLINED IS WITH TRANSISTOR ON

50V

C	19 5 80	T G	R L	L K T	C J S	17088	RETRACED FROM ISS B NEW SHT BORDER
A	16 10 70	W J W	-	K G	G F E	21737	
ISS	DATE	DEL	DC	CKD	APP	ORDER	CHANGE

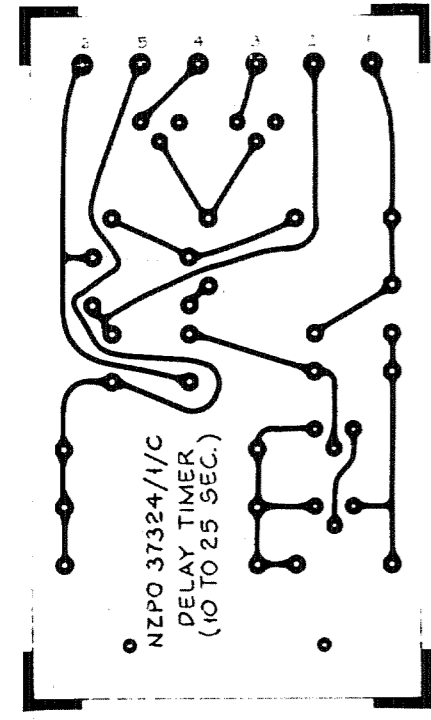
DELAY TIMER
(10 TO 25 SECONDS)

DRN: T. EQPT	CKD: KG	ORIGIN: T. EQPT
TCD: W. J. W.	APPD: G. F. E.	
NZPO ENGINEER-IN-CHIEF, WELLINGTON		

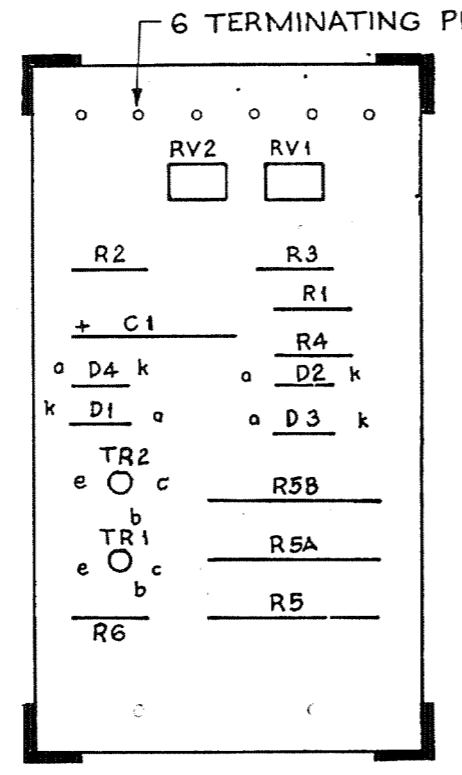


SHT 1 OF 2
SIZE A3

37324



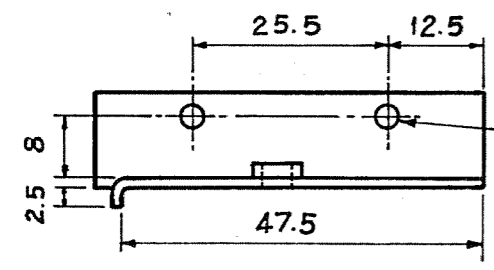
COPPER SIDE



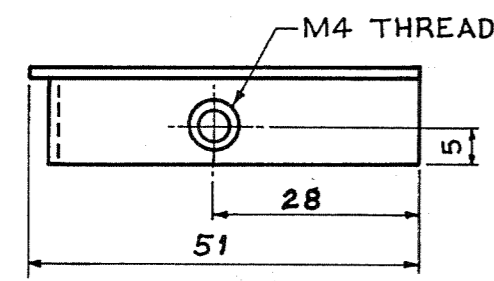
COMPONENT LAYOUT

FIG.3 PRINTED CIRCUIT BOARD
 MATERIAL: 1.6mm SYNTHETIC PHENOLIC RESIN BONDED PAPER TO BS1137 TYPE I

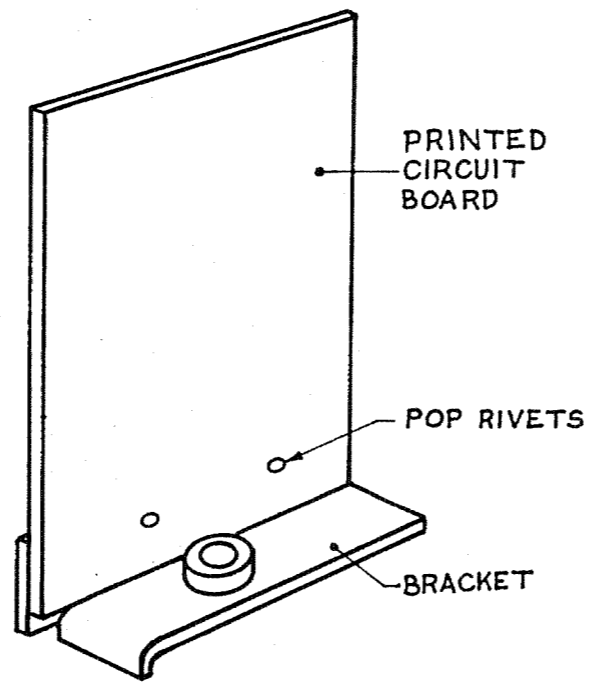
NOTE:
 2.1. HOLES FOR TERMINATING PINS TO BE A PUSH FIT.
 COMPONENT MOUNTING HOLES TO BE 1mm



TWO HOLES TO CLEAR POP RIVETS.



M4 THREADED BUSH

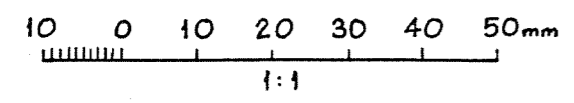


ASSEMBLY

COMPONENT DESIGNATION	PHILIPS CODE	COY. CODE	NOTES	STOCK LIST
TIMER			COMPLETE UNIT	K974
SCREW			6.35mm M4	SG83
C1	2222.001.17509		50µF MIN. 40V. ELECTROLYTIC	LP
TR1-TR2		2N4356	TRANSISTOR	CC763
D4	BZY88.C6.V2		ZENER DIODE	LP
D1-D3		1N4003	DIODE	K905
RV1-RV2	2322.A10.05014		1 MEG. PRESET TRIMMER POT	LP
R6	2322.101.43474		470k ¼ W	ER 257
R5-5A-5B	2322.101.63392		3.9k 1W	ER 432
R4	2322.101.43151		150Ω ¼ W	ER 215
R2	2322.101.43473		47k ¼ W	ER 245
R1&R3	2322.101.43104		100k ¼ W	ER 249

FIG.2 MOUNTING BRACKET

MATERIAL: 12.7 x 12.7 x 1.5 ALUMINIUM ANGLE



C	19.5.80	TG	RIL	LRT	CJS	1708 B	PCB. AMD TO REMOVE STRAPS RETRACED FROM ISSB 12.11.73
A	16.10.70	WJW	-	KG	GFE	21737	
ISS	DATE	DEL	DC	CKD	APD	ORDER	CHANGE

DELAY TIMER
 (10 TO 25 SECONDS)

DRN: WJW	CKD: KG	ORIGIN: T. EQPT
TCD: TG	APPD: GFE	STANDARD
NZPO ENGINEER-IN-CHIEF, WELLINGTON		
	SHT 2 OF 2	37324
	SIZE A3	

UD 235