

SHEET No	SIZE	SUB TITLE	ISSUE			
1	L	FIGS 1-4	A			
2	L	FIGS 5-8	A			
3	L	FIGS 9-12	A	B		
4	L	FIGS 13-18	A	B		
5	L	FIGS 19&20	A	B		
6						
7						
8						
9						
10						
11						
12						
13						
14						
15						
16						
17						
18						
19						
20						

ENGR'S RECORD

ISS.	DATE	CHKD.	APPD.	DEL.	ORDER	CHANGE
A	30.11.68	KG	CJW	PN	60519	DERIVED FROM GBW 13700 ISS. 1B
B	19.11.69	KG	CJW	GA	20527	SHTS. 3 & 5 AMENDED.
C	28.11.75	KG	CJW	J.V.	55563	SHT. 4 AMD.

NEW ZEALAND POST OFFICE, ENGINEER-IN-CHIEF, WELLINGTON.

RACK COMMON SERVICES
REMOTE M UNIT
U. A. X. N.Z. 13
(INDEX SHEET)

ORIGIN	TEL. EQPT. SECT.	SIZE	SHEET
REF.	GBW. 13700	F	IND
DRAWN	TEL. SECT.	TRACED	PN.

33739

FIG. 9A CONTINUOUS RINGING & LINE TESTER JACK.

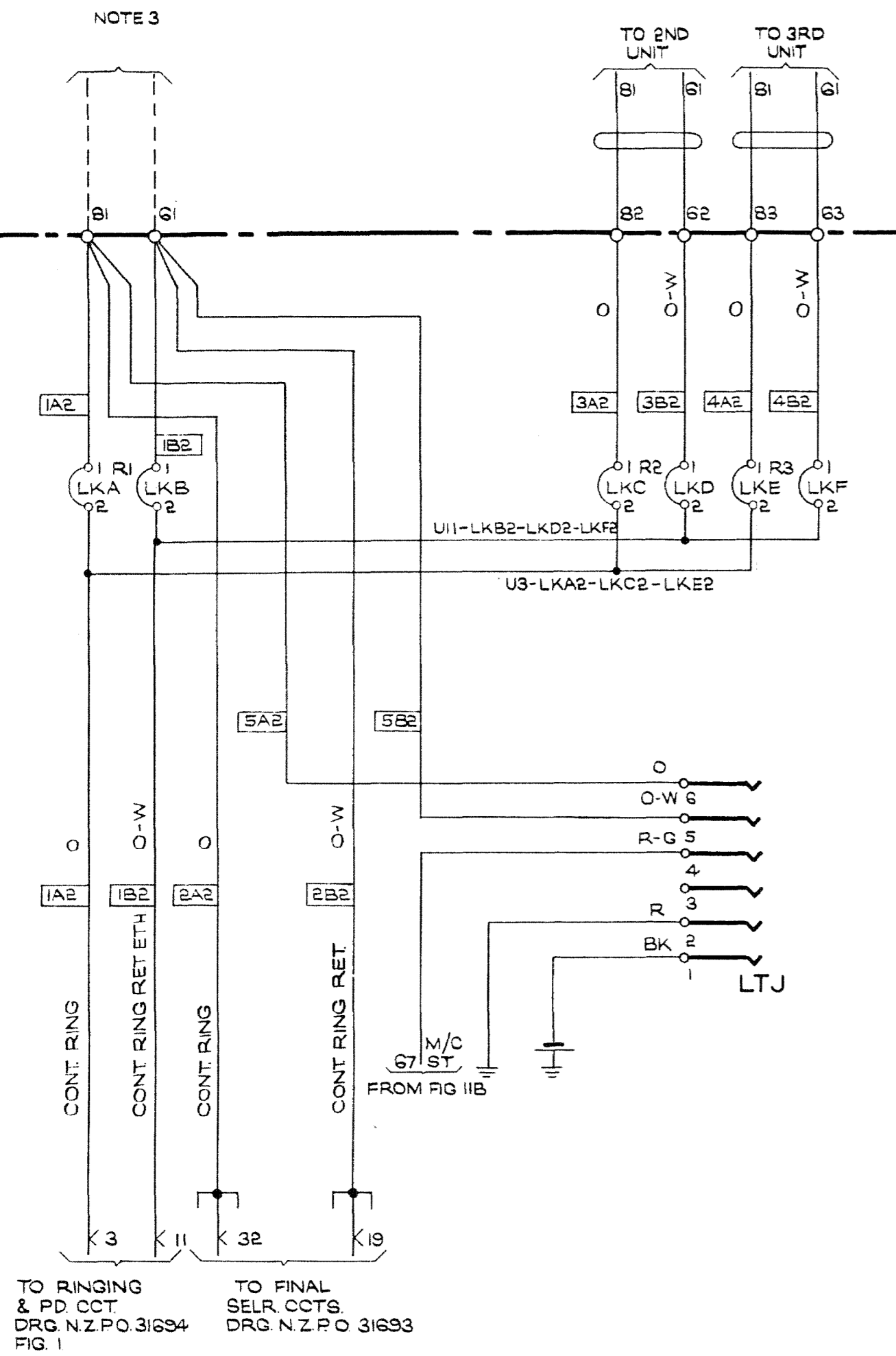


FIG. 9B 1-PER RACK

FIG. 10A TIME PULSE RELEASE.

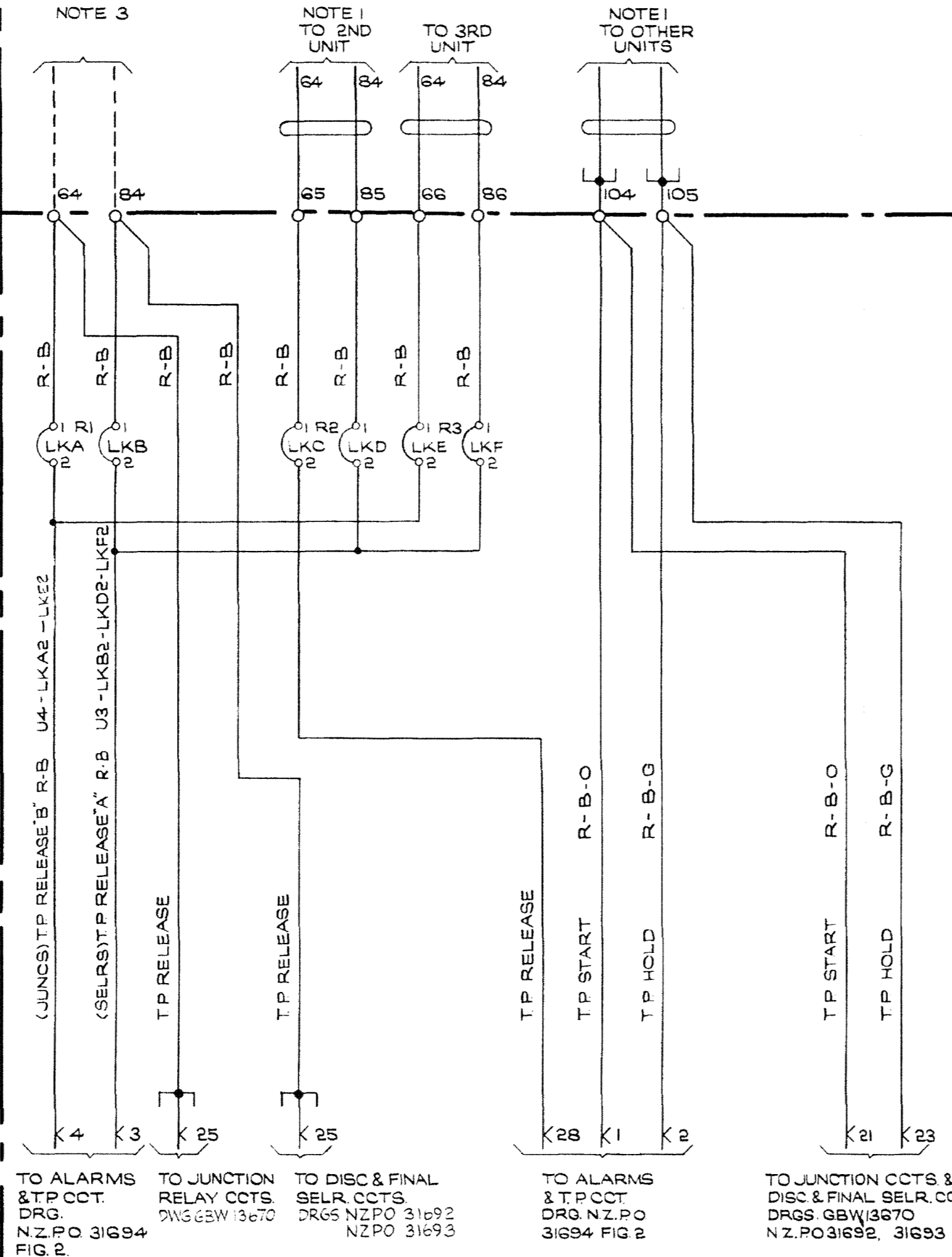


FIG. 10B 1-PER RACK

FIG. 11A MACHINE START.

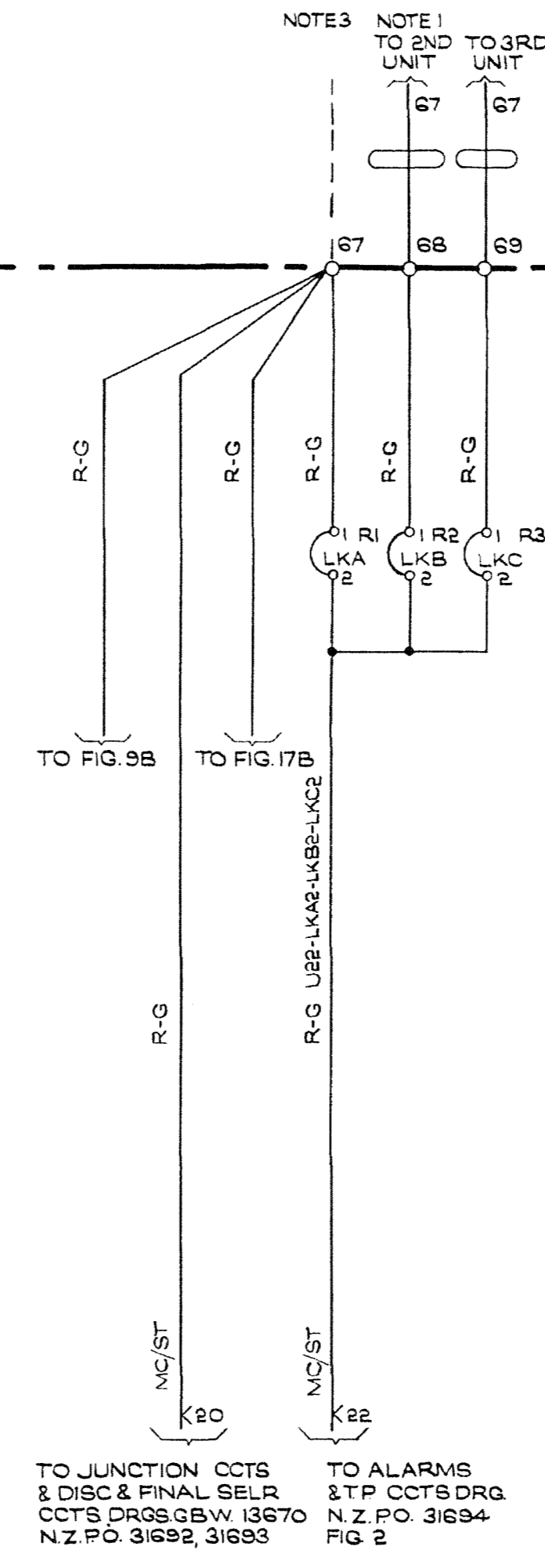


FIG. 11B 1-PER RACK

FIG. 12A OVERFLOW BUSY TONE - 900~

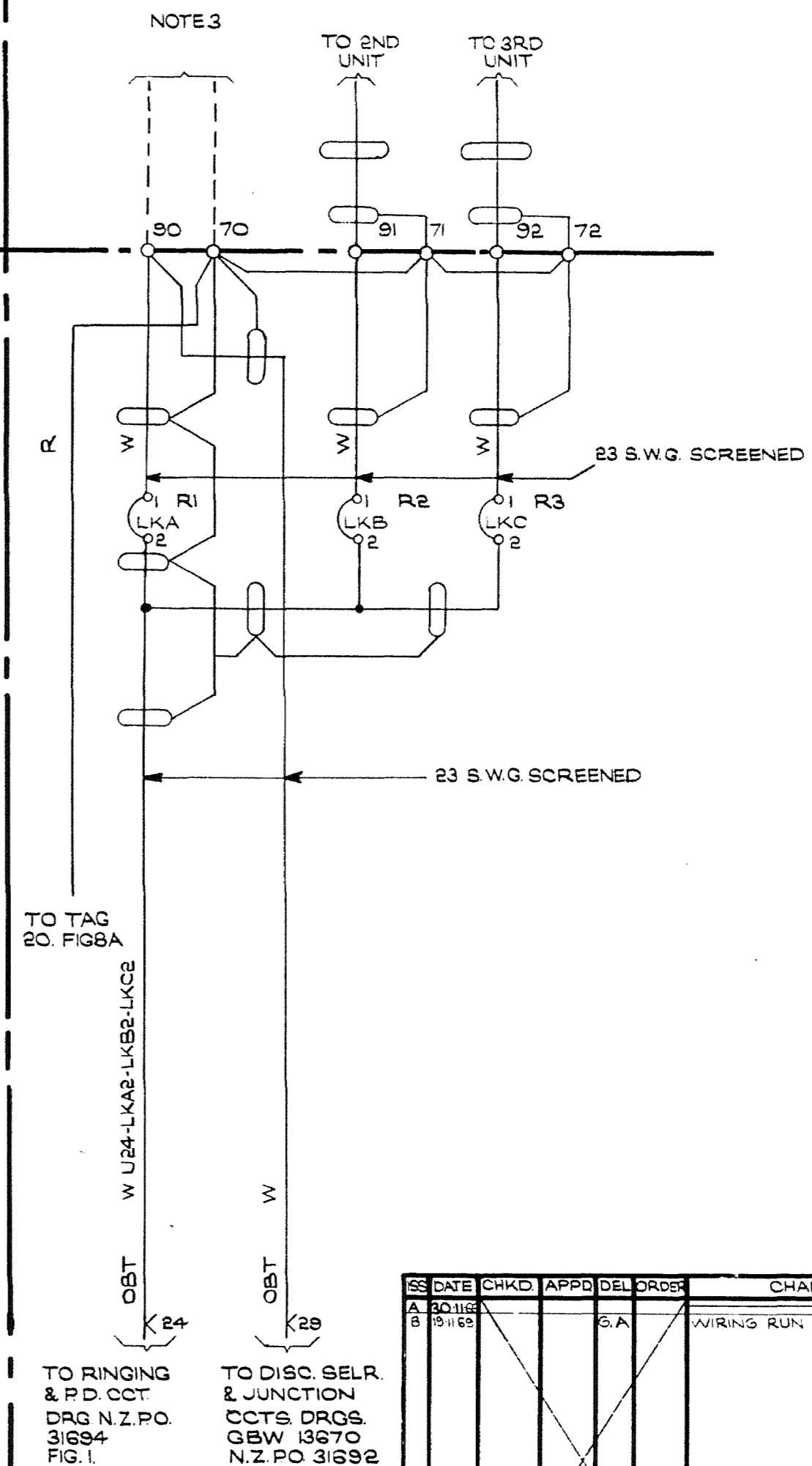


FIG. 12B 1-PER RACK

DATE	CHKD	APPD	DEL	ORDER	CHANGE	NEW ZEALAND POST OFFICE, ENGINEER-IN-CHIEF WELLINGTON.				
A 20/11/68		G.A.			WIRING RUN FIOB AMENDED	RACK COMMON SERVICES				
B 19/11/68						REMOTE M UNIT				
						U. A. X. N.Z. 13				
ORIGIN	TEL-EQPT-SEC	SIZE	SHT	33739 A						
REF	GBW 13700	L	3							
DRAWN	TEL-E-SEC	TRACED	PN	B						

50V

