

NOTE 2

ISS	DATE	CHKD	APPD	DEL	ORDER	CHANGE
A	10/64	N.T.E.	C.Z.	10/64	62381	FIGS 1-8 REVISED, FIGS 1A, 1B, 2, 9 ADDED.
B	4/6/64	N.T.E.	C.Z.	12/2	62876	FIGS 1-8 REVISED, FIGS 1A, 1B, 2, 9 ADDED.
C	27/1/65	J.A.R.	J.Y.G.	BY	62562	FIG 5A ADDED.
D	24/65	MC	62264	FIG 8A SCAS SCB TAG NRS, AND FIG 6 SC TAG NT ADDED. EDITORIAL AMENDMENTS.

NEW ZEALAND POST OFFICE ENGINEER IN CHIEF, WELLINGTON.

RACK COMMON SERVICES
UAX. N.Z. 13M
INSTALLED IN AMX, CAX, MAX,
OR SAX.

ENGR'S RECORD

ORIGIN TEL. EQPT. SECT. SIZE SHEET 31035 A
REFERENCE GBW. 13730 L OF 2
DRAWN TEL. E. SECT. TRACED R. J. 47

FIG.11
FUZE ALARM

FIG 11B
1 PER UNIT B

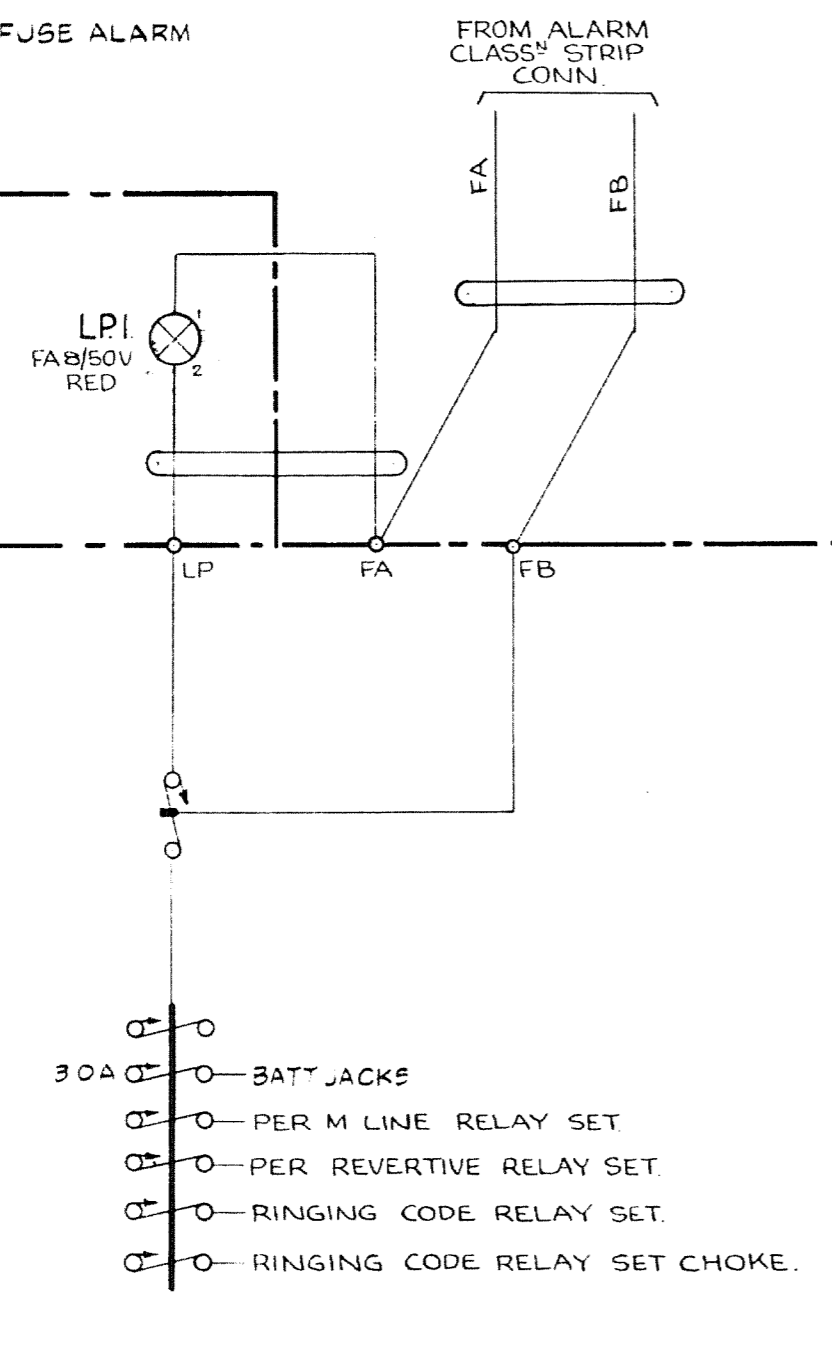


FIG 11. A
1 PER UNIT B.

FIG.12.
NU TONE ETH
1 PER UNIT 'B' NOTE 5

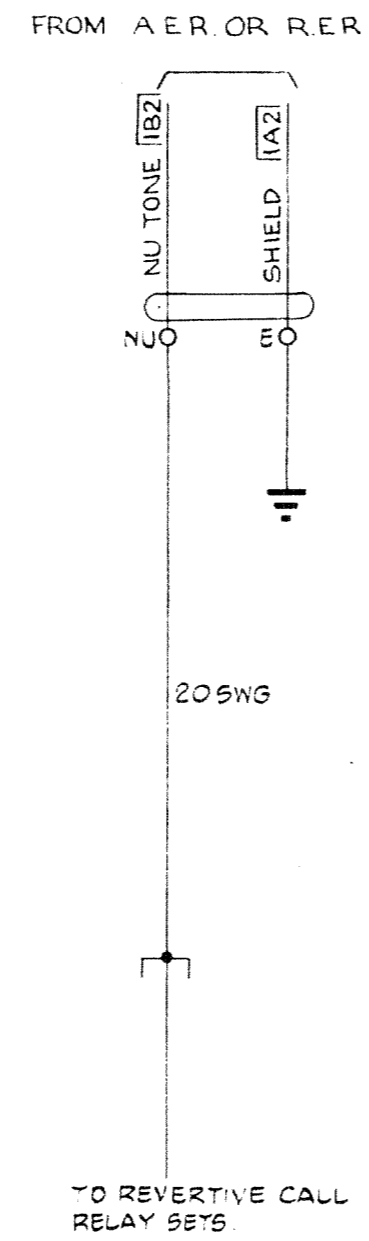


FIG.13.
3MIN DELAY ALARM
RELAY SET
1 PER UNIT 'B' NOTE 5

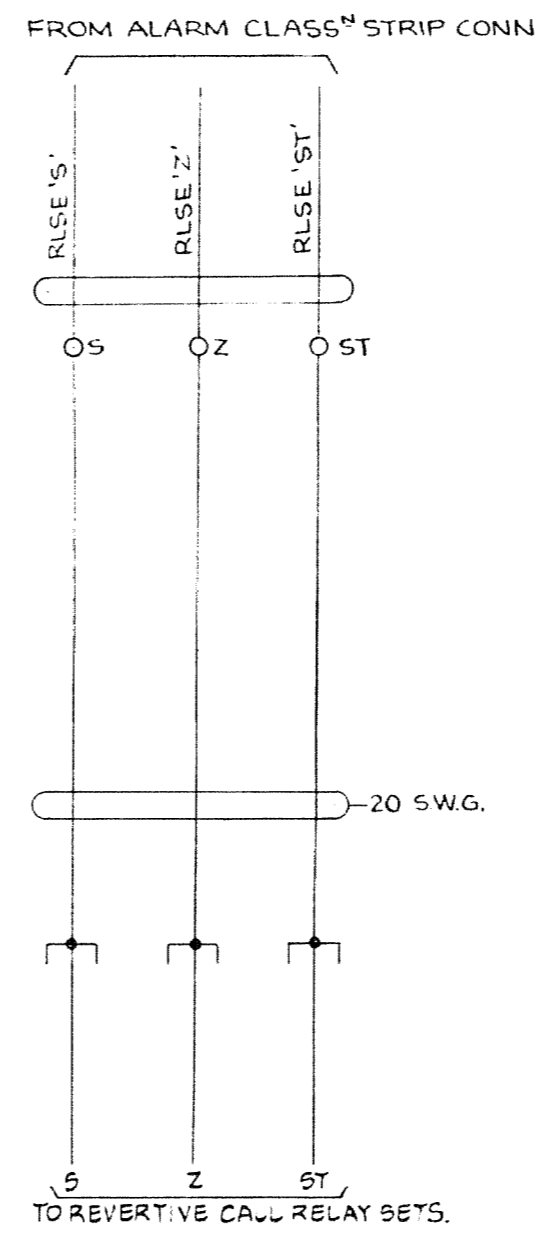


FIG.14.
1 PER UNIT 'B'
RINGING & RINGING CODES (COMMON) FOR 5-PARTY
LINE GROUPS

EXPLANATORY ONLY
TO RINGING CODE EQPT MTD IN 'B' UNIT OR ON M.A.R.
(NZPO 31006)

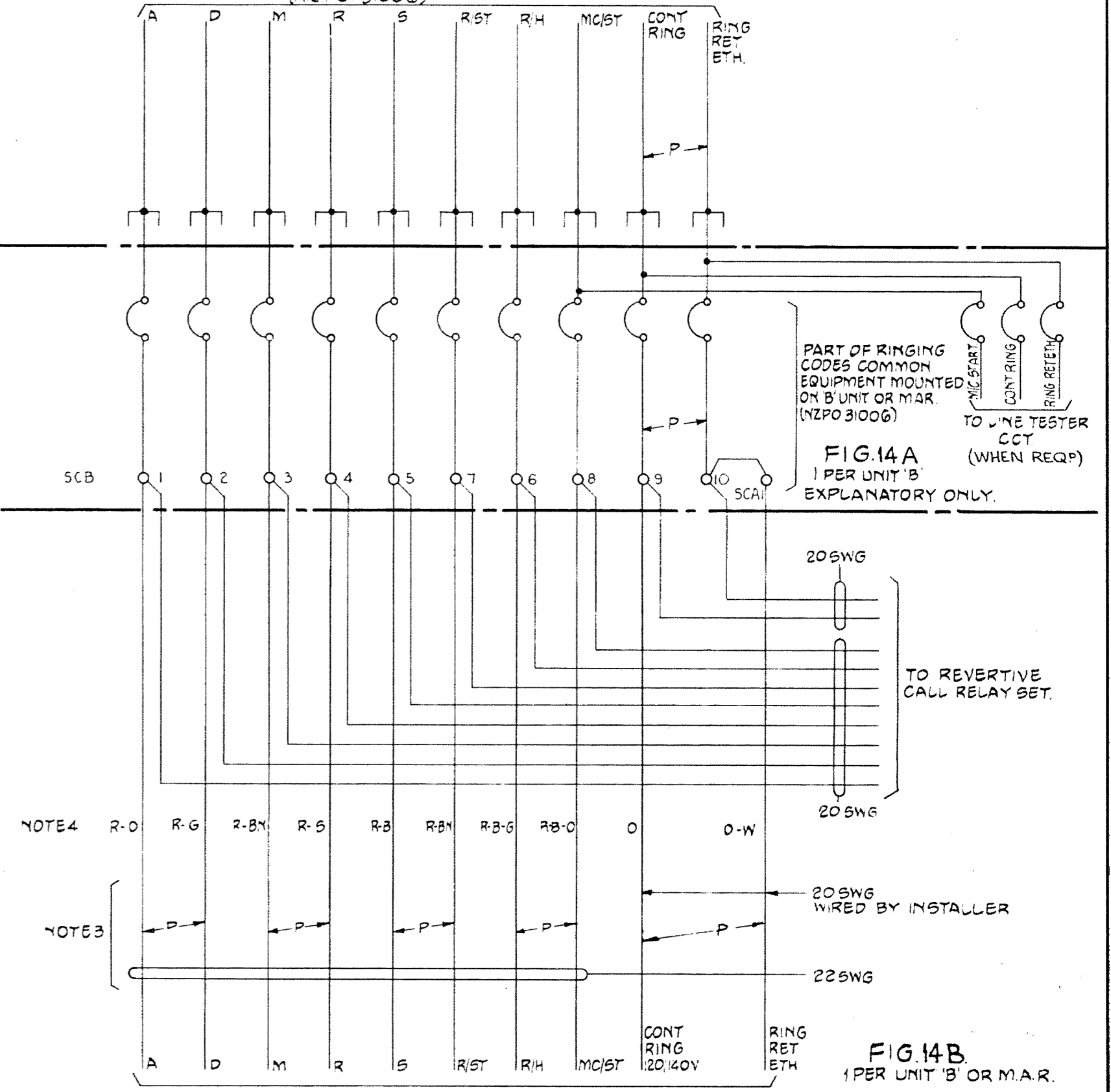


FIG.14A
1 PER UNIT 'B'
EXPLANATORY ONLY.

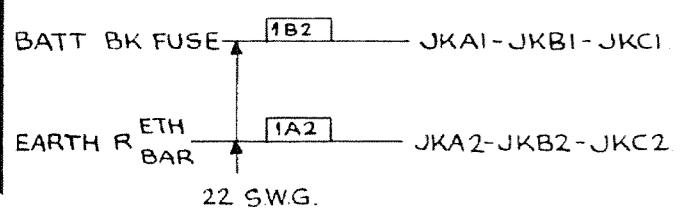
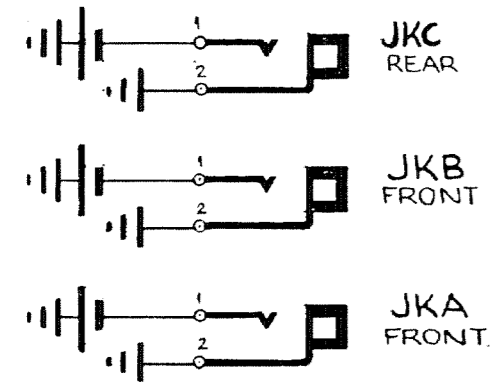
FIG.14B
1 PER UNIT 'B' OR M.A.R.

NOTE 2

NOTES

1. FUSING 1.5A PER CIRCUIT UNLESS OTHERWISE SPECIFIED
2. REFER TO SHEET 1 WHEN EQUIPMENT IS MOUNTED IN AN 'M' UNIT. REFER TO SHEET 2 WHEN EQUIPMENT IS MOUNTED IN A 'B' UNIT OR ON A M.A.R.
3. CABLE AND PAIR SIGNS APPLY ONLY WHEN UNITS ARE WIRED USING SWITCHBOARD CABLE.
4. COLOURS APPLY ONLY WHEN UNITS ARE WIRED USING LOCAL CABLE FORMS.
5. WHERE EQUIPMENT IS M.A.R. MOUNTED USE FIGS 13 & 14 ONLY. FOR REMAINING COMMON SERVICES REQUIRED, REFER TO GBW 10690 OR EQUIVALENT.
6. ALL WIRE TO BE 25SWG UNLESS OTHERWISE SPECIFIED.

FIG 10 1 PER UNIT B



ISS	DATE	CHKD	APPD	DEL	ORDER	CHANGE	NEW ZEALAND POST OFFICE ENGINEER-IN-CHIEF, WELLINGTON.
A	11.10.63	N.T.E.	2/2	PMY	6435		RACK COMMON SERVICES U.A.X. NZ. 13M INSTALLED IN AMX, CAX, MAX, OR SAX
B	14.6.64	N.T.E.	2/2	72	72876	FIG 1-4 REVISED AND MADE 11-14 FIGS 10, 11A AND 11B ADDED	
C	22.11.65	J.C.R.	2/2	R.Y.	68562	NO CHANGE, FIG 5A ADDED TO SHEET 1	
D	8.4.69	R.C.	2/2	A.P.	93264	SCA & SCB TAG NUMBERS IN FIG. 14A ADDED.	

ORIGIN	TEL. EQPT. SECT.	SIZE	SHEET	31035	A
REFERENCE	GBW 13730	M	2 OF 2		
DRAWN	TEL. SEC. TRACED	PMY		B&D	