

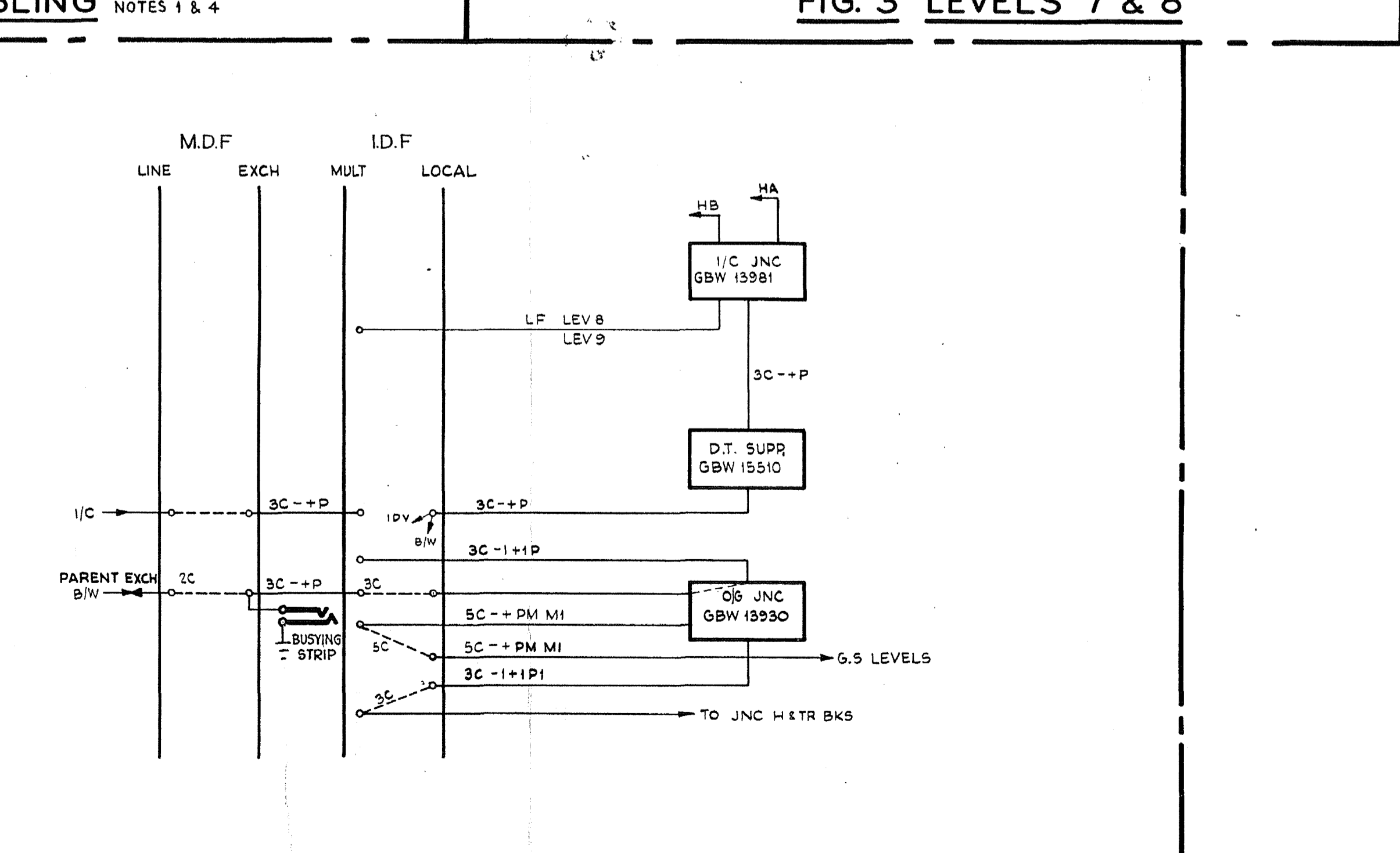
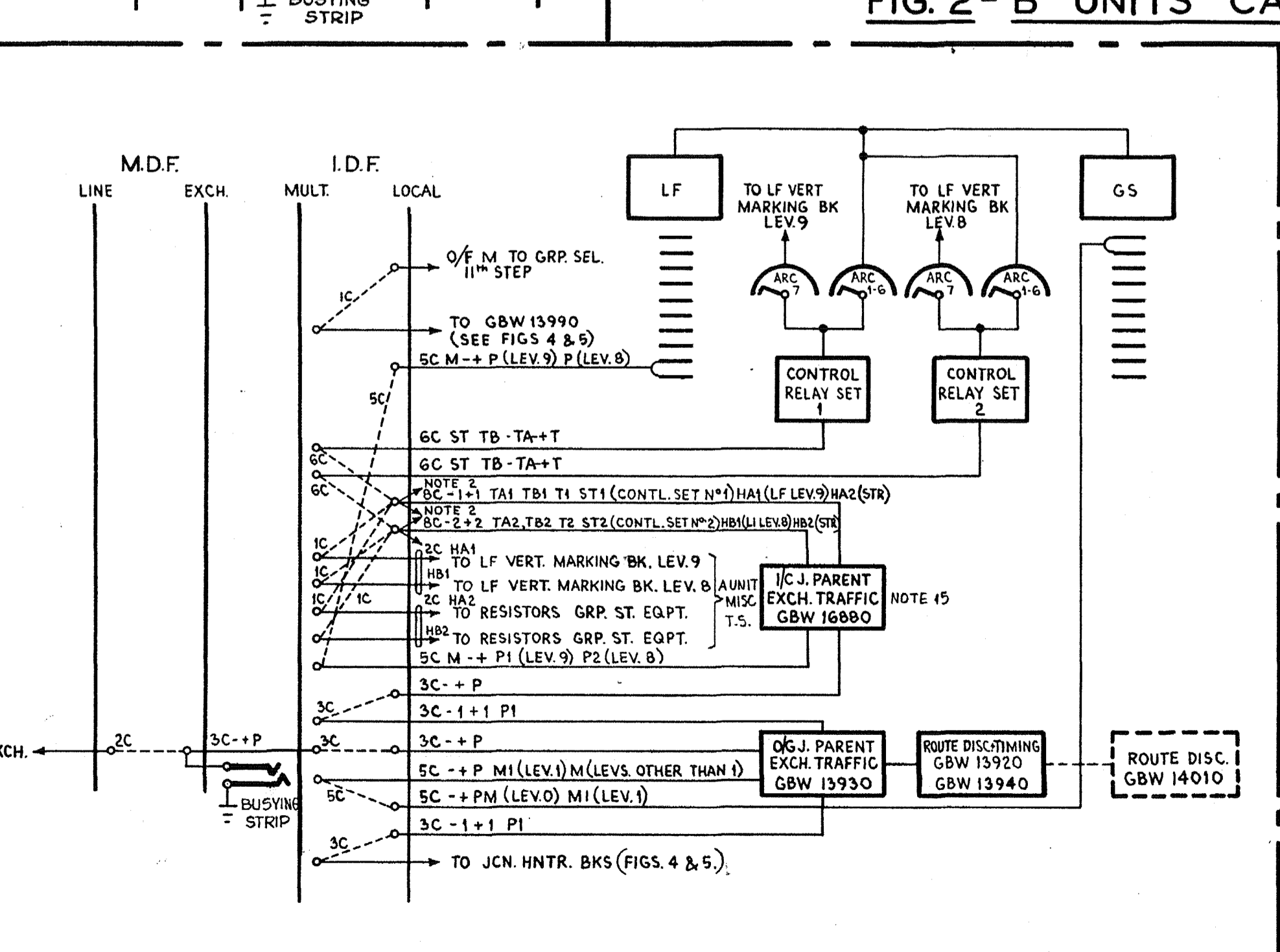
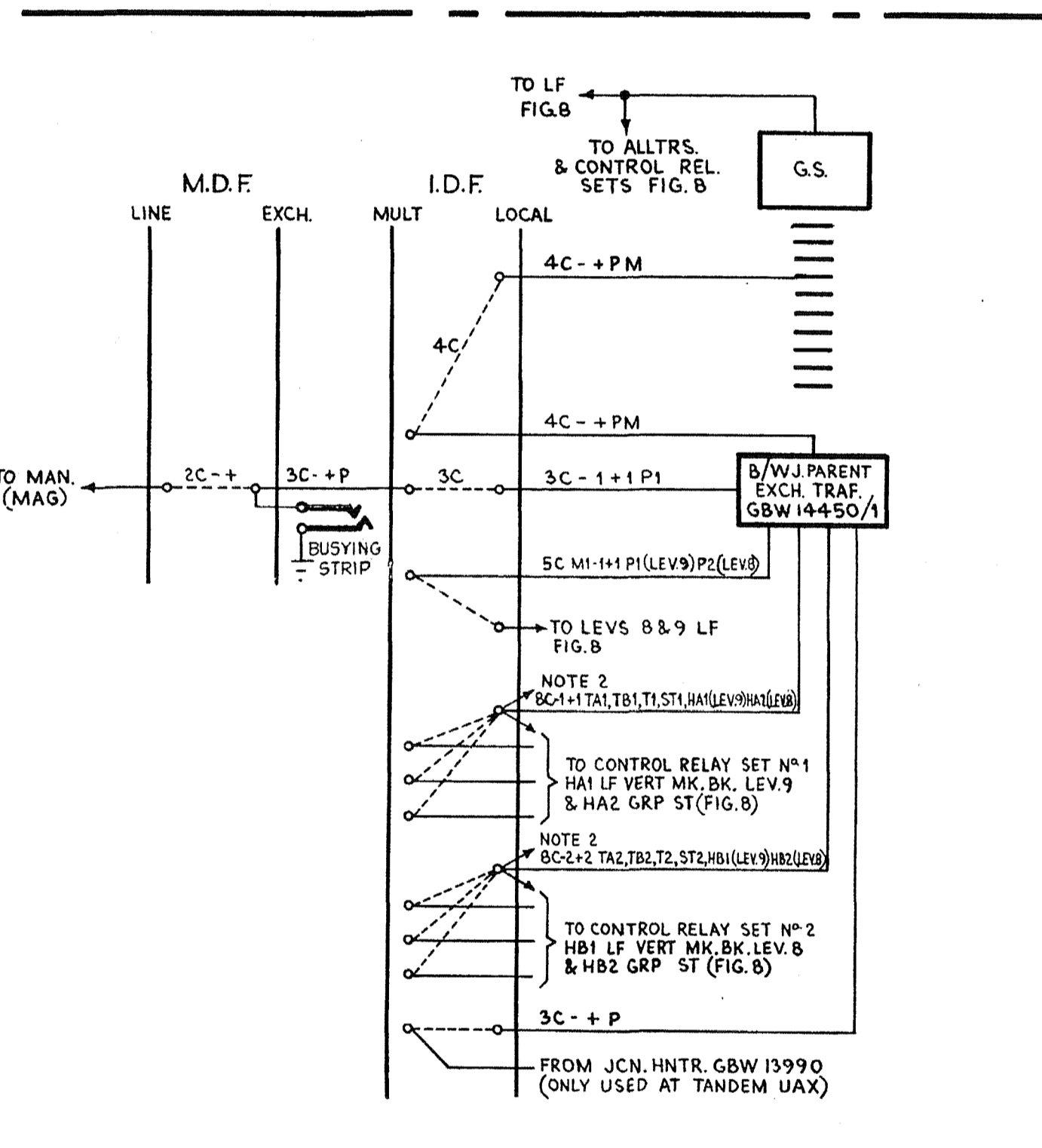
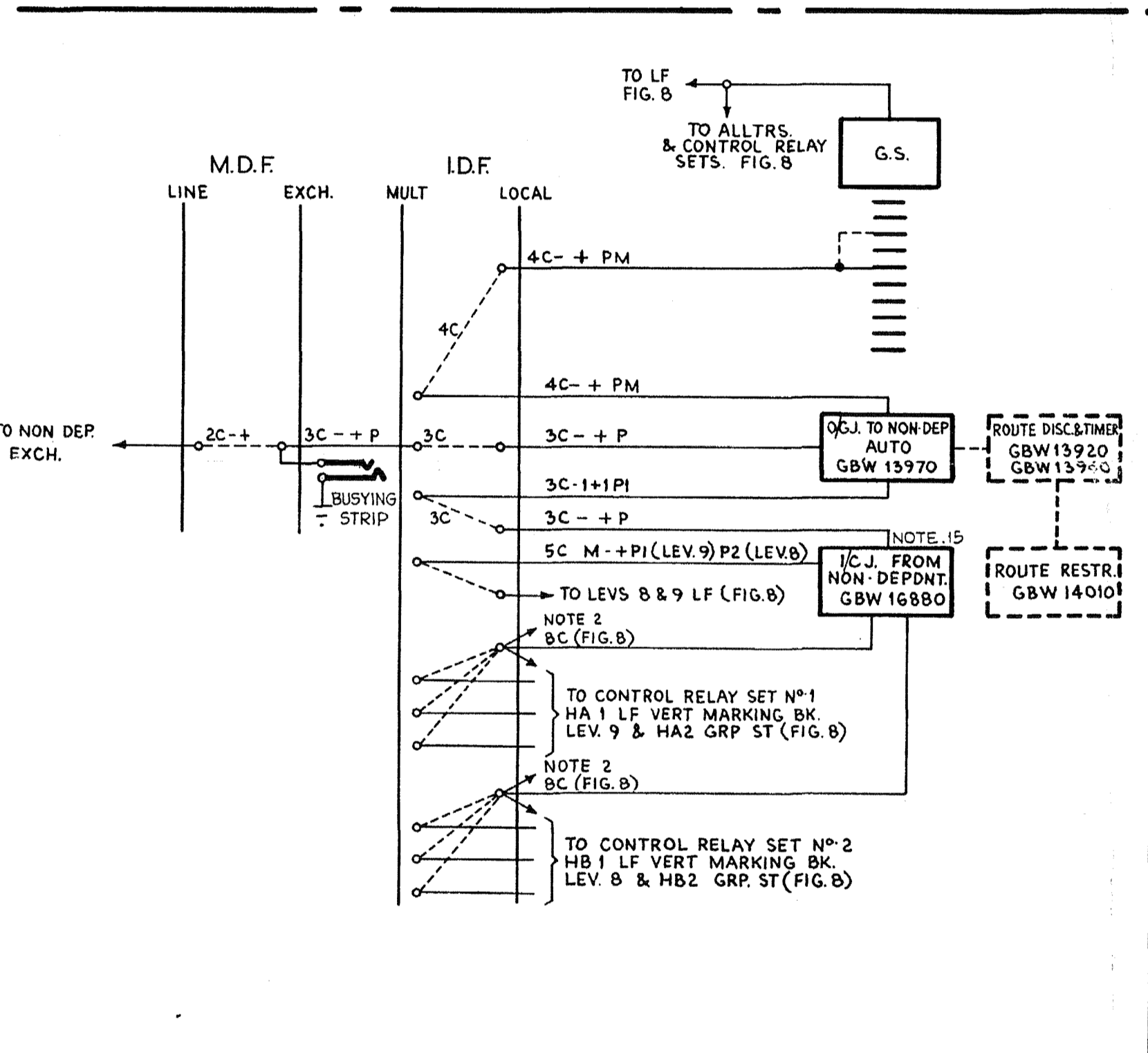
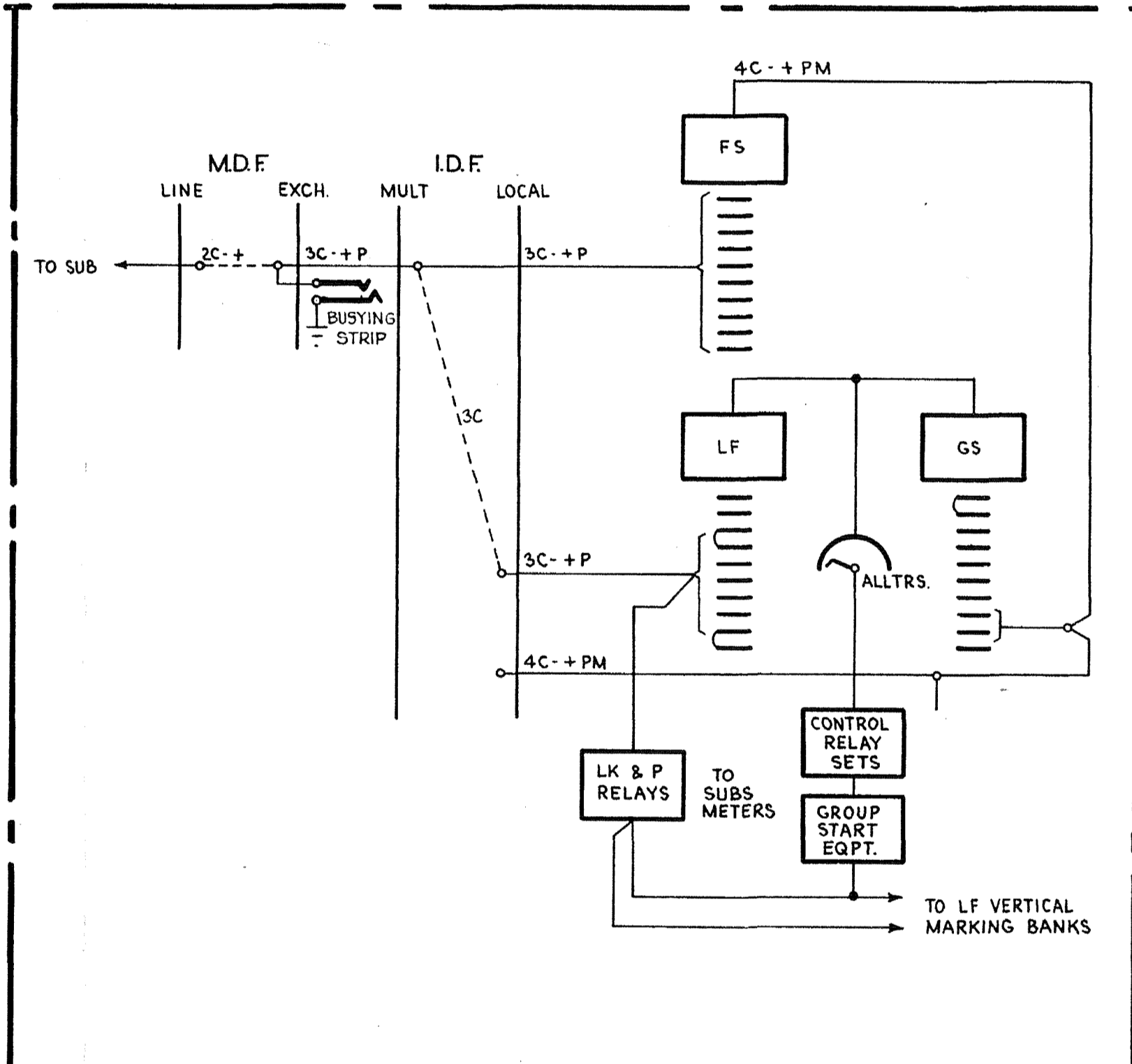
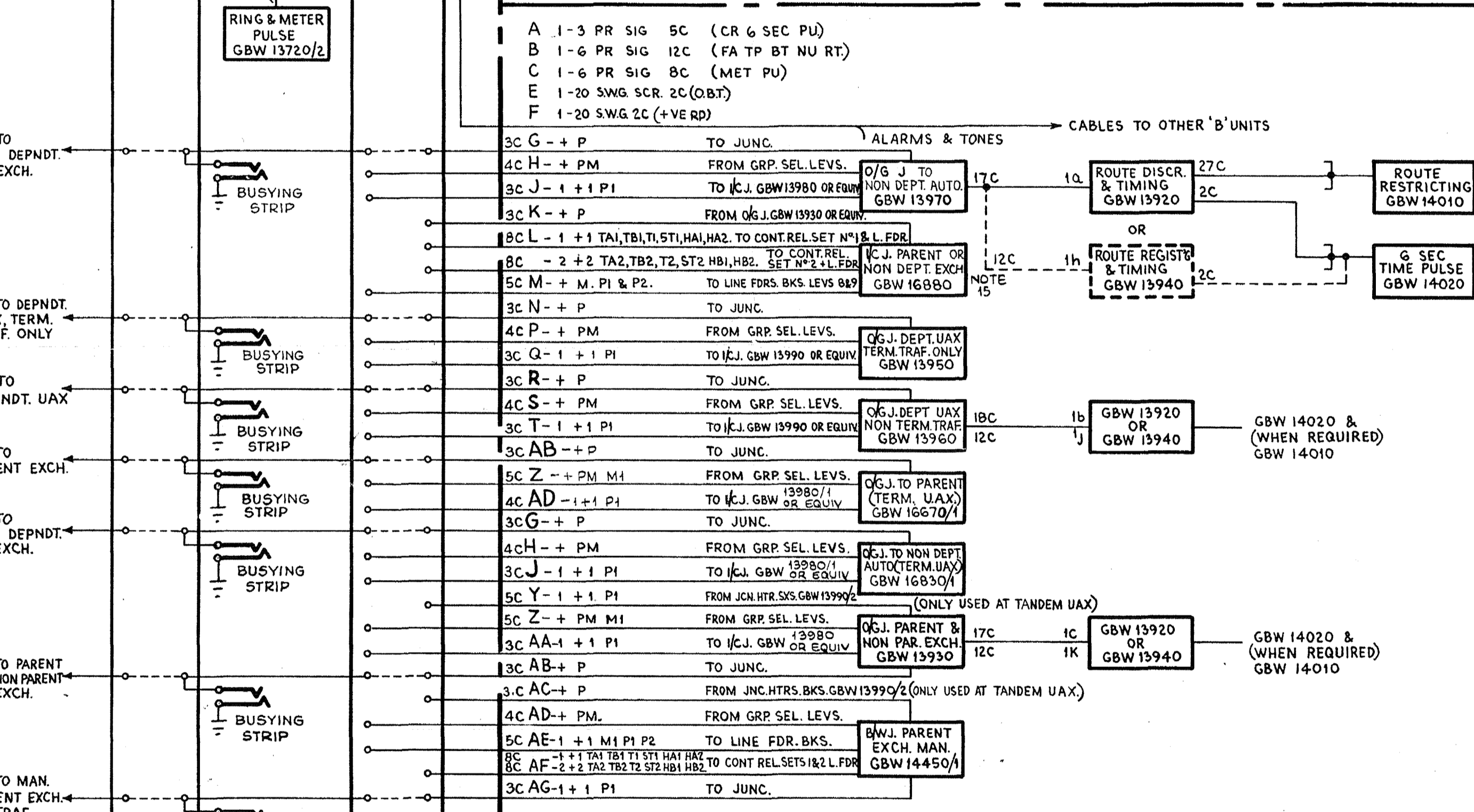
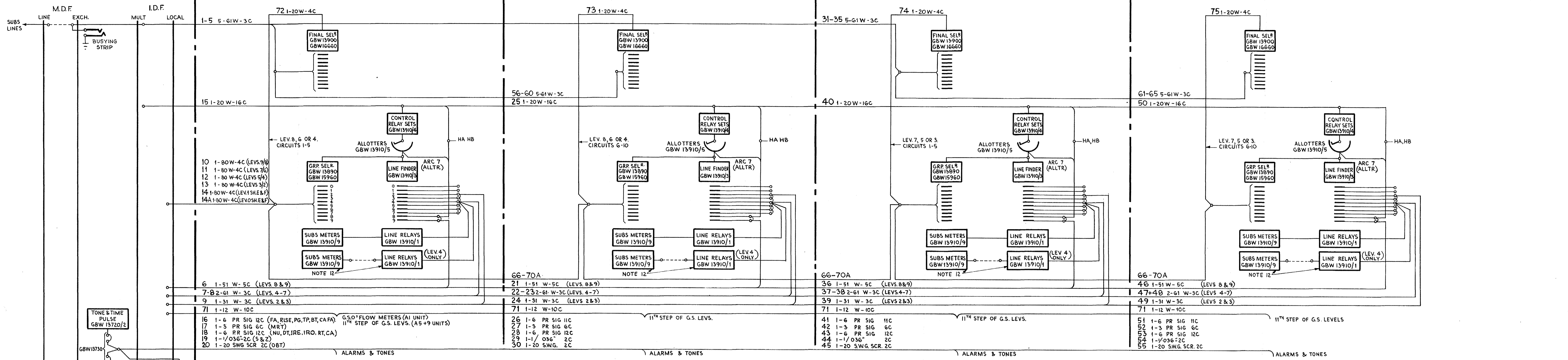
FIE UNIT C1,2 OR 3

FIA UNIT A1, A5 OR A9

FIB UNIT A2 A6 OR A10

FIC UNIT A3 A7 OR A11

FID UNIT A4 A8 OR A12



NOTES:-

- FOR TANDEM UAX CABLING, JUMPERING & TRUNKING ARRANGEMENTS SEE FIGURES 24-28.
- COMMONED TO OTHER STRIP-MOUNTED SETS AS REQUIRED.
- GROUP SELECTOR LEVEL ALLOCATIONS ARE TYPICAL ONLY.
- FOR CABLING & JUMPERING OF UAX NZ 13 R AND M UNITS AND 5 PARTY LINE SM RELAY SETS, SEE SHEET 2.
- NO CONNECTION IS REQUIRED FROM O/G JUNCTION RELAY SET GBW 16671 OR EQUIVALENT TO 1/C JUNCTION RELAY SET GBW 16880 OR EQUIVALENT WHERE NZ SS AC N°3 IS EMPLOYED.
- DELETED.
- THE REVERTIVE CALL RELAY SET GBW 13770, IF USED ONLY FOR 2 PARTY SHARED SERVICE DOES NOT REQUIRE CODE RING GBW 13760/2.
- AS A REMOTE R OR M UNIT AND JUNCTIONS USING AC 3 SIGNALLING HAVE BUILT-IN DIAL TONE SUPPRESSION, GBW 13981 MAY BE USED IF DESIRED.
- FOR NZ SS AC N°3 TRUNKING OF UAX NZ 13, AMX OR UAX NZ 13 IS DEPENDENT SEE SHEET 3.
- NO CONNECTION IS REQUIRED TO AN 1/C JUNCTION CIRCUIT ON UNIDIRECTIONAL O/G JUNCTIONS.
- AT NON-METERING UAX'S USE N.Z.P.O. 26174 AND DELETE CONNECTION SHOWN -X-X-X-, AT METERING UAX'S USE GBW 13780 AND DELETE CONNECTIONS SHOWN -I-I-I-.
- ADDITIONAL LINE RELAYS AND METERS WIRED BY INSTALLER AS REQUIRED.
- WHERE A CIRCUIT N° IS SHOWN THUS, GBW 13910/4 THE N° FOLLOWING THE OBLIQUE STROKE INDICATES THE RELEVANT FIGURE OF THE DRAWING.

NZ NOTES

A: FIG 10A SHOWS THE TRUNKING AND CABLING OF A REMOTE M UNIT. I.E. AN'R UNIT MODIFIED TO GIVE M SERVICE.

ISSUE DATE: 1978
 CHD: []
 APPD: []
 DEL: []
 DRBN: []
 CHANGE: []
 NEW ZEALAND POST OFFICE ENGINEER-IN-CHIEF, WELLINGTON.

TYPICAL CABLING, JUMPERING & TRUNKING ARRANGEMENTS UAX. N.Z. 13

COY. N°: []
 ORIGIN: []
 REFERENCE: GBW 15780
 DRAWN: []
 TRACED: []
 AFG: []

TE 67/20

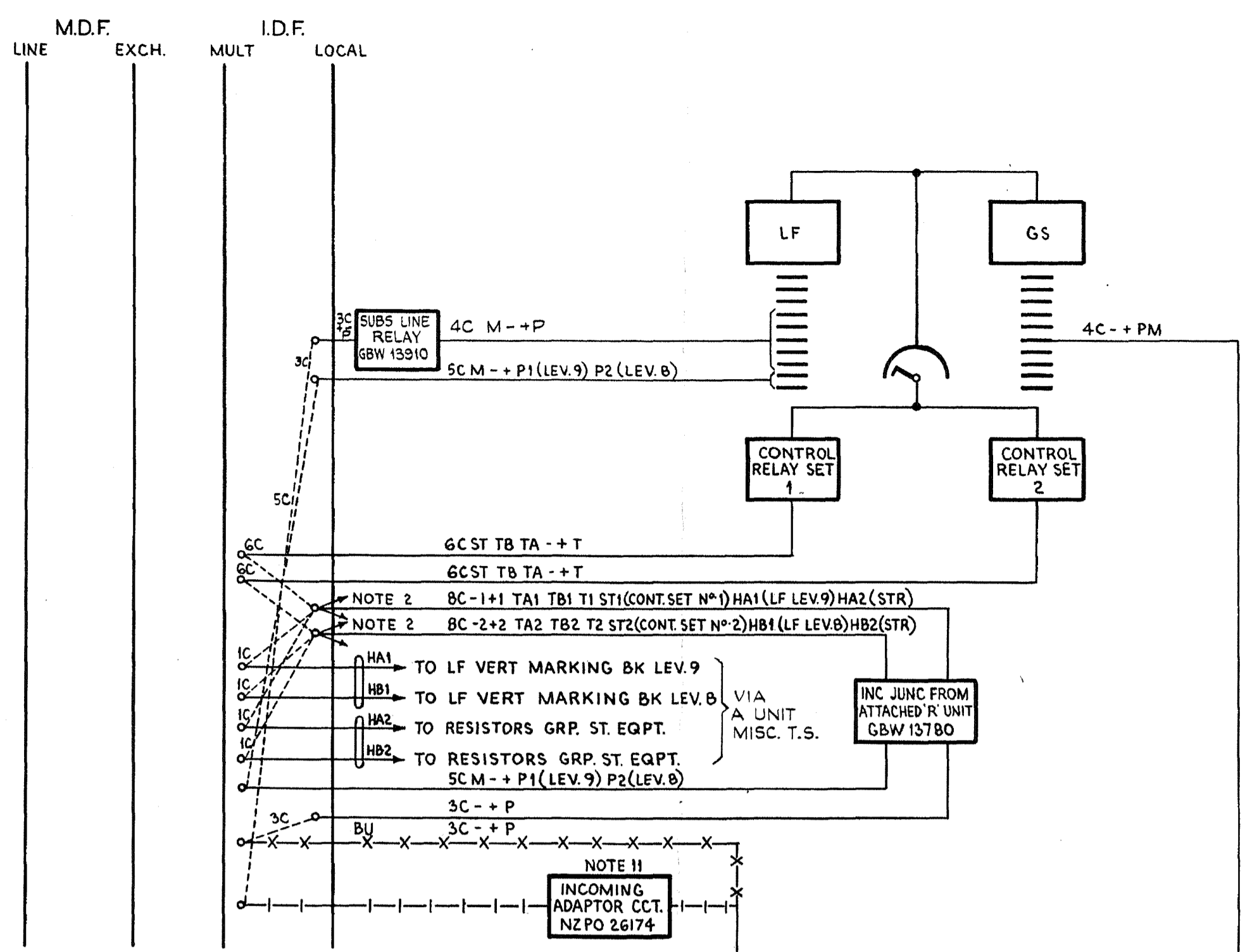


FIG. 7 PART OF 'A', 'B' & 'C' UNITS

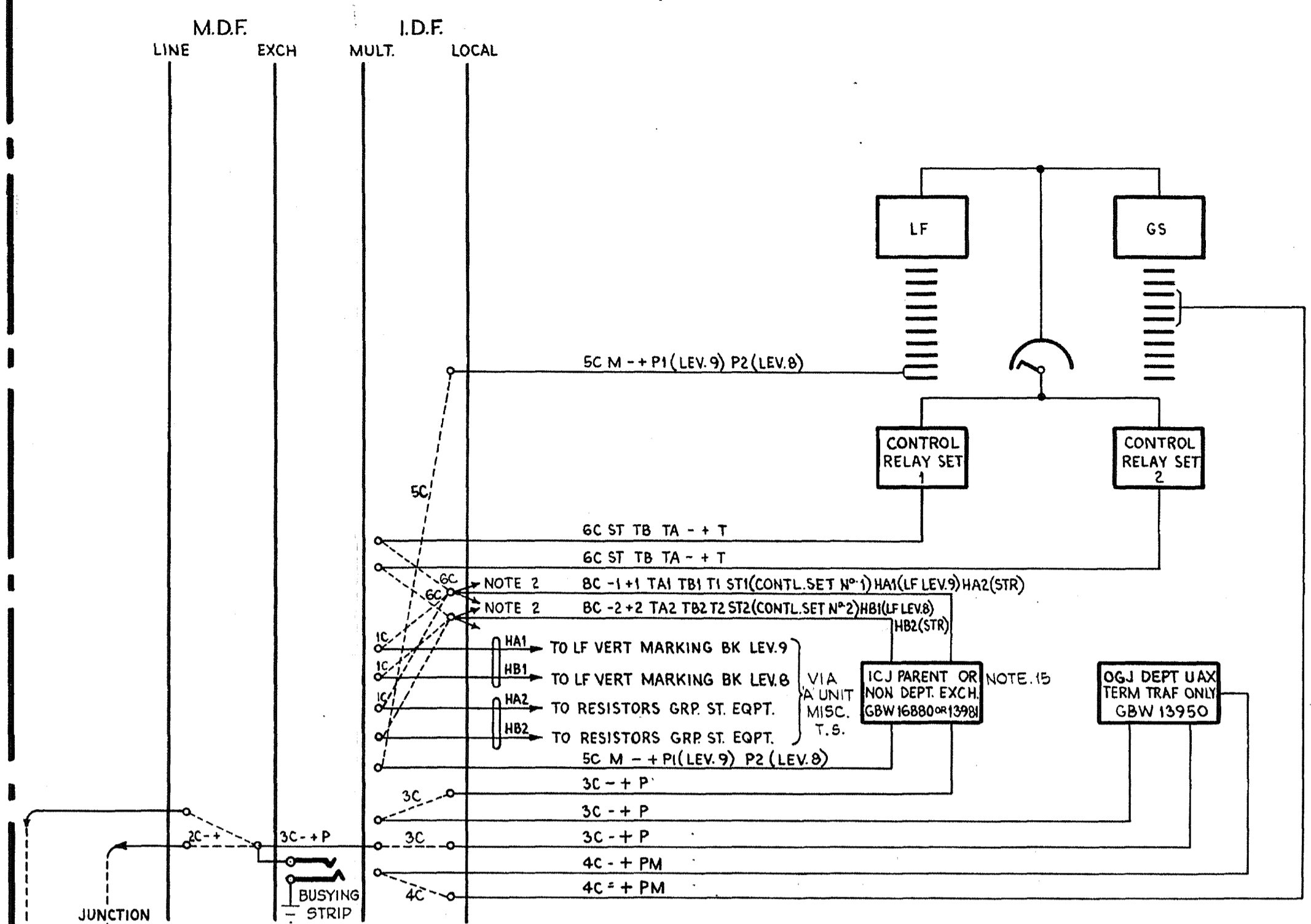


FIG. 9 PART OF 'A', 'B' & 'C' UNITS

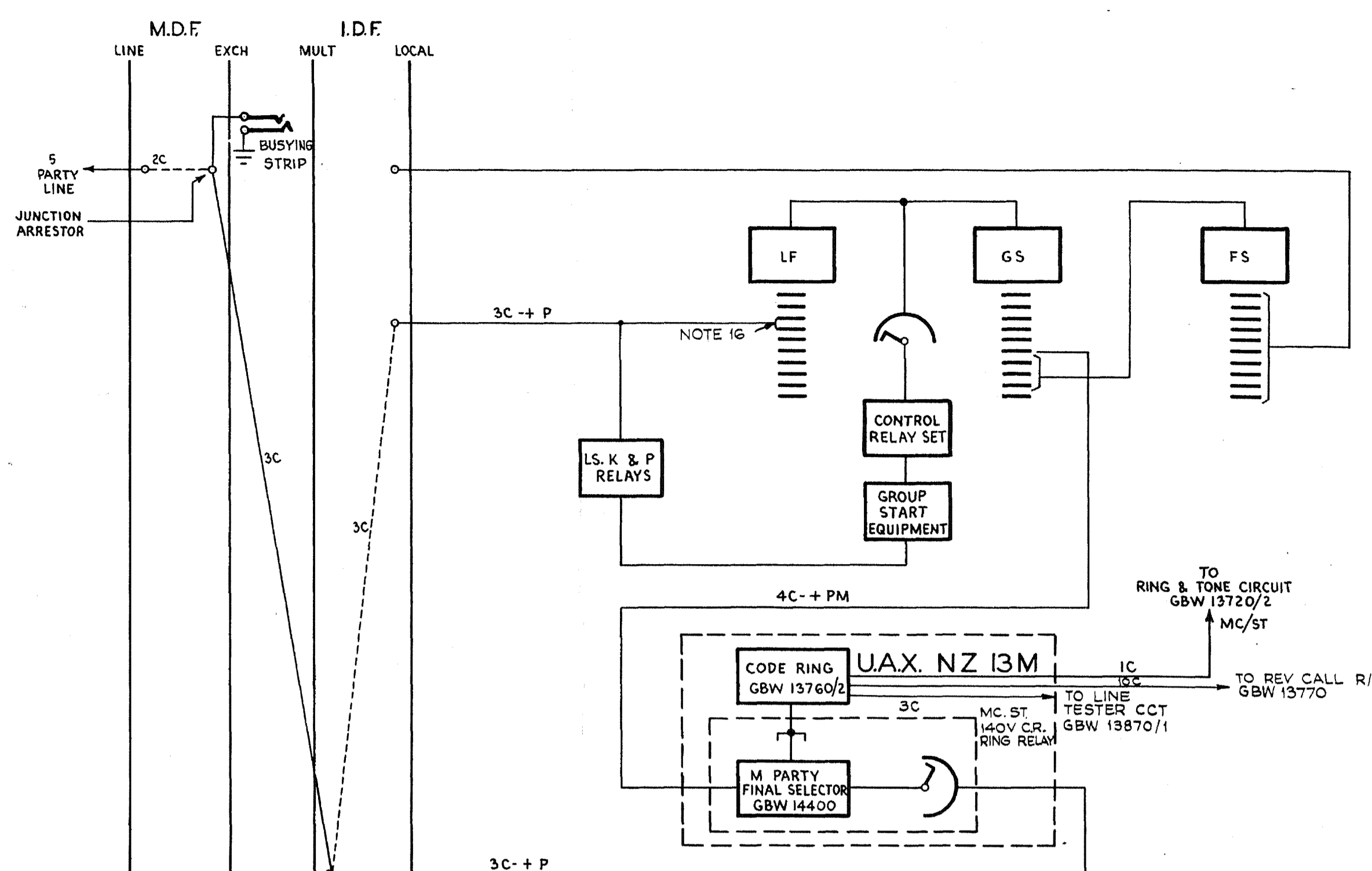


FIG. 11 'M' UNIT (& PART OF 'A', 'B' & 'C' UNITS)

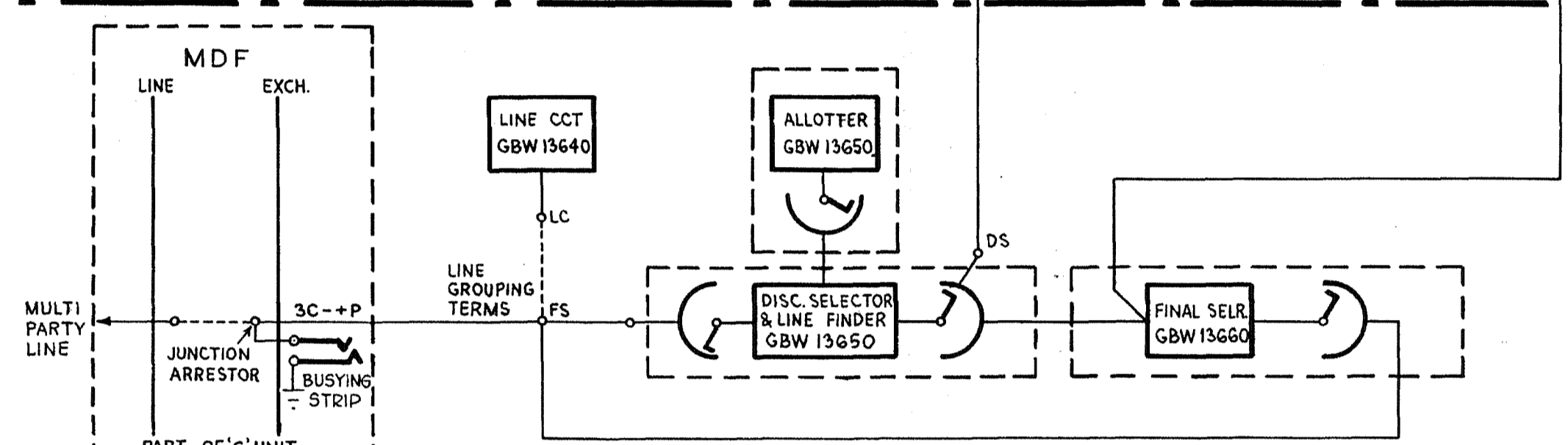


FIG. 8 'R' UNIT (ATTACHED)

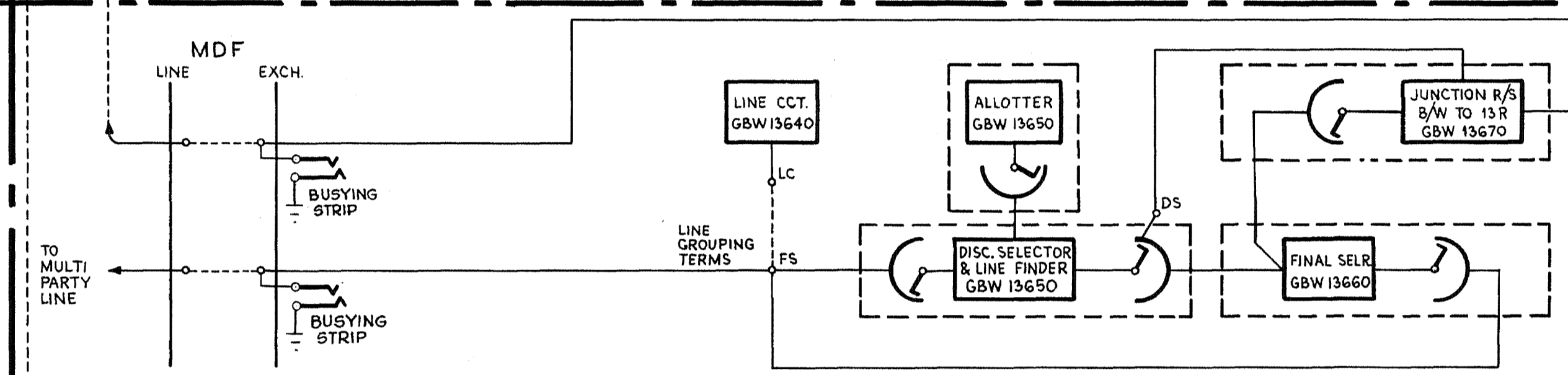


FIG. 10 R UNIT (REMOTE)

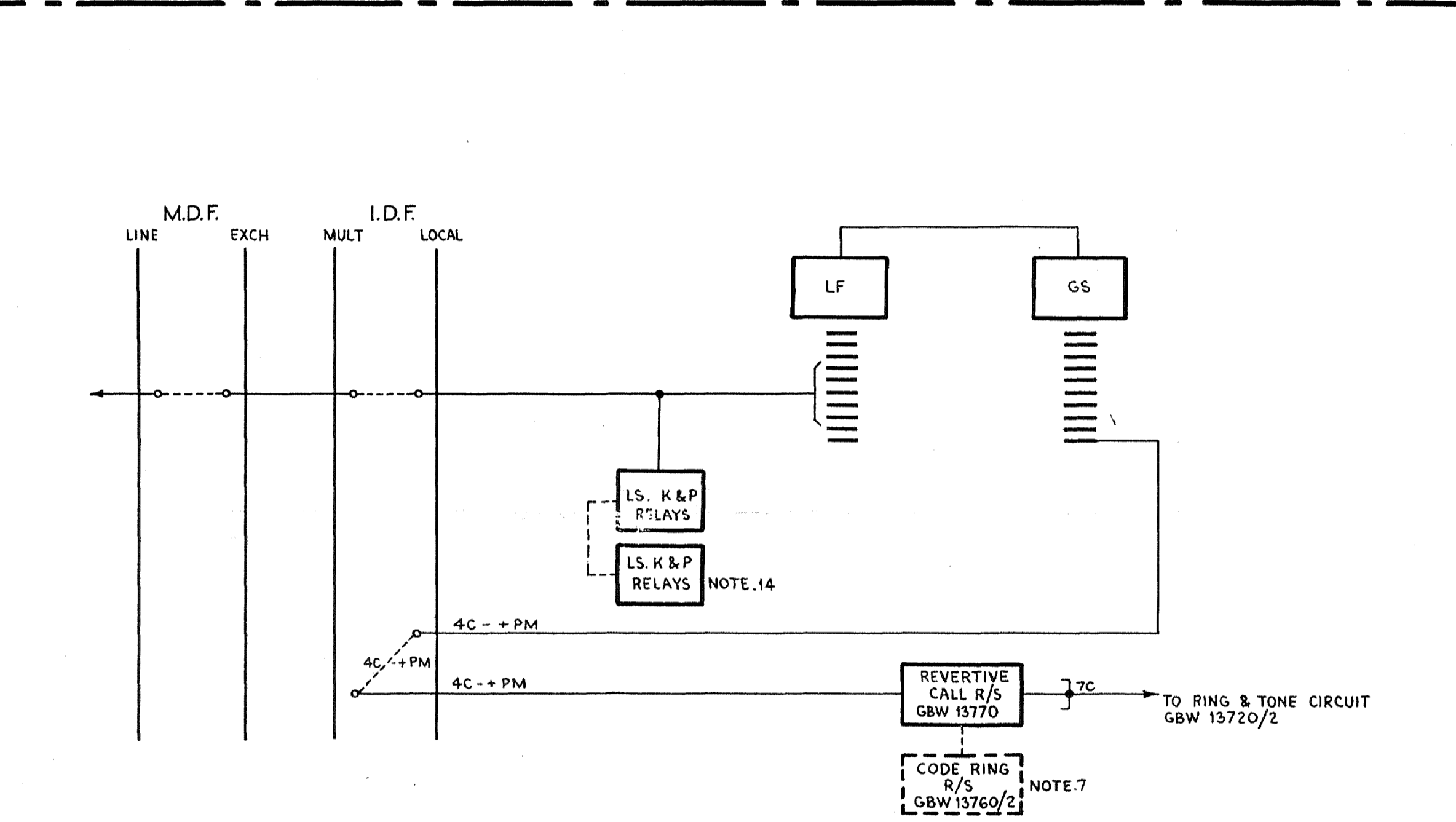


FIG. 14 2-PARTY AND SHARED SERVICE WITH REVERTIVE CALLING EQUIPT.

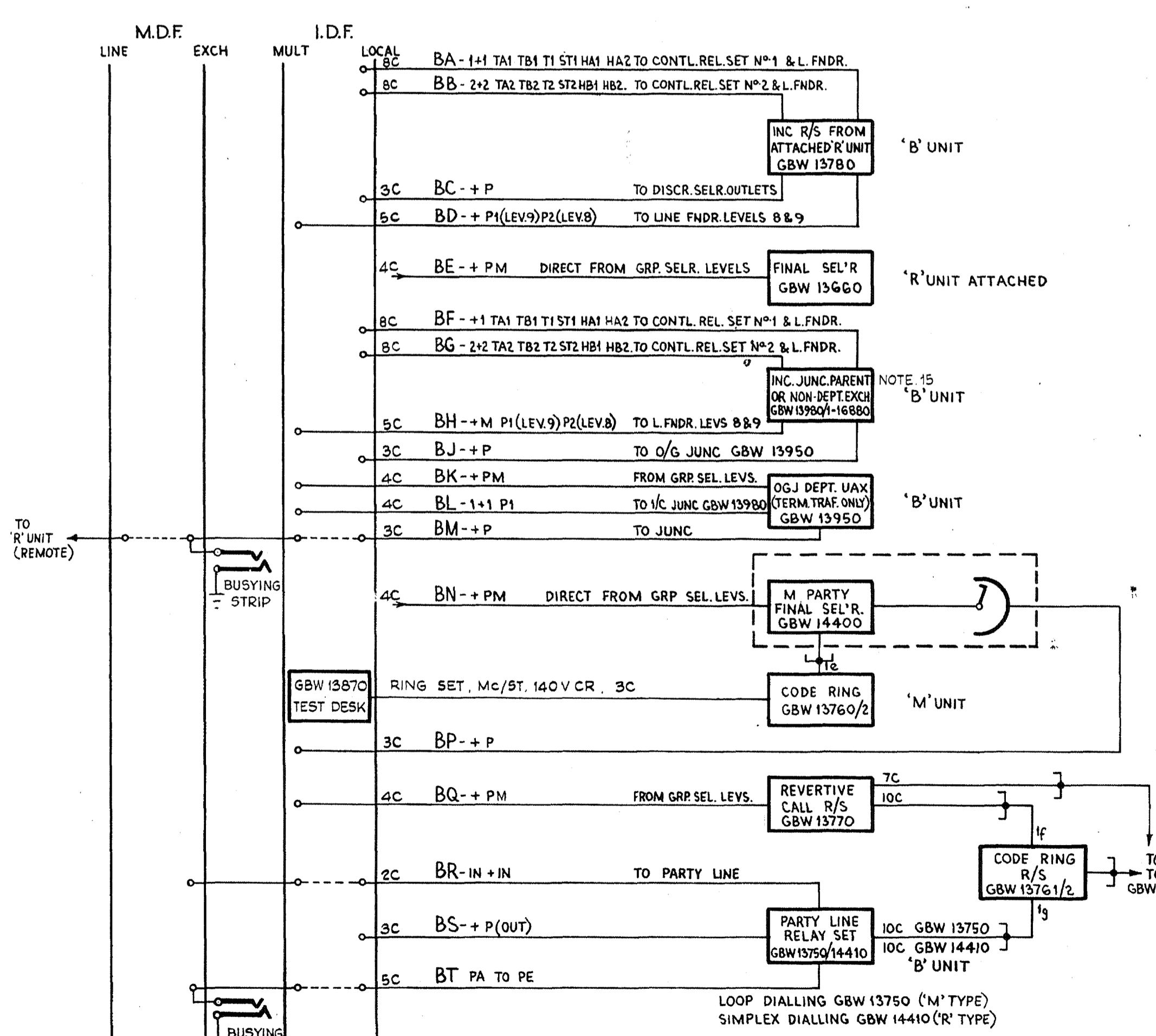


FIG. 12 'B', 'R' & 'M' TO 'C' UNIT CABLING

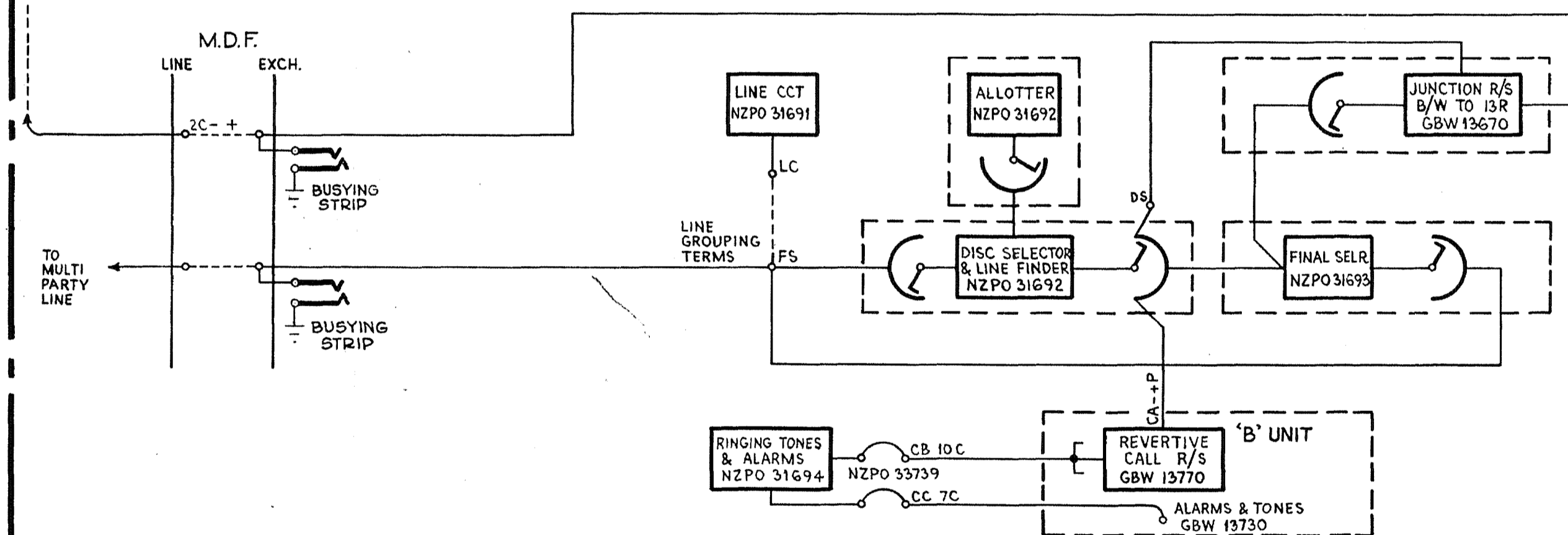


FIG. 10A REMOTE 'M' UNIT (NZ NOTE A)

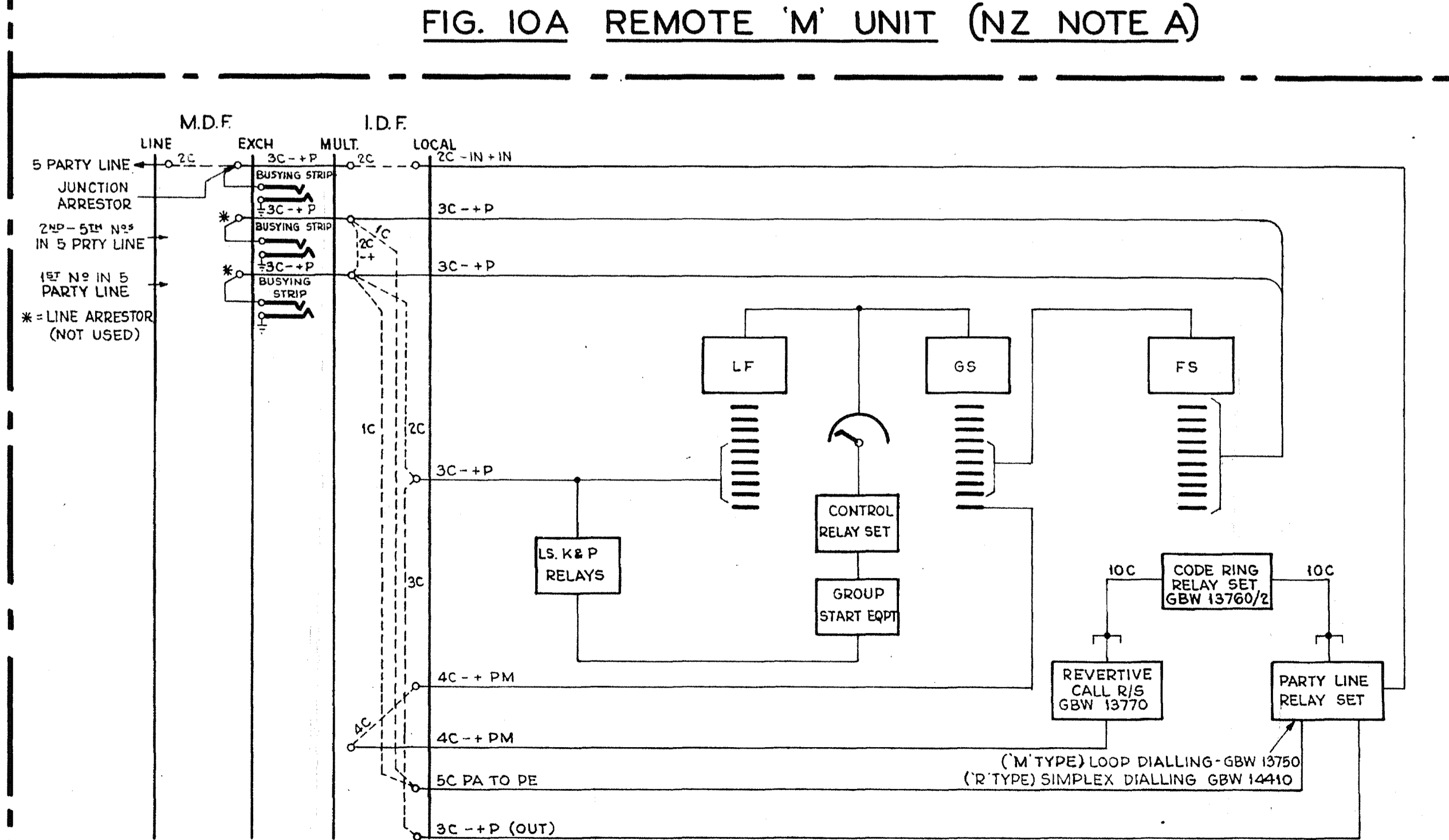


FIG. 13 5 PARTY LINES WITH LOOP & SIMPLEX DIALLING & REVERTIVE CALLING EQUIPMENT

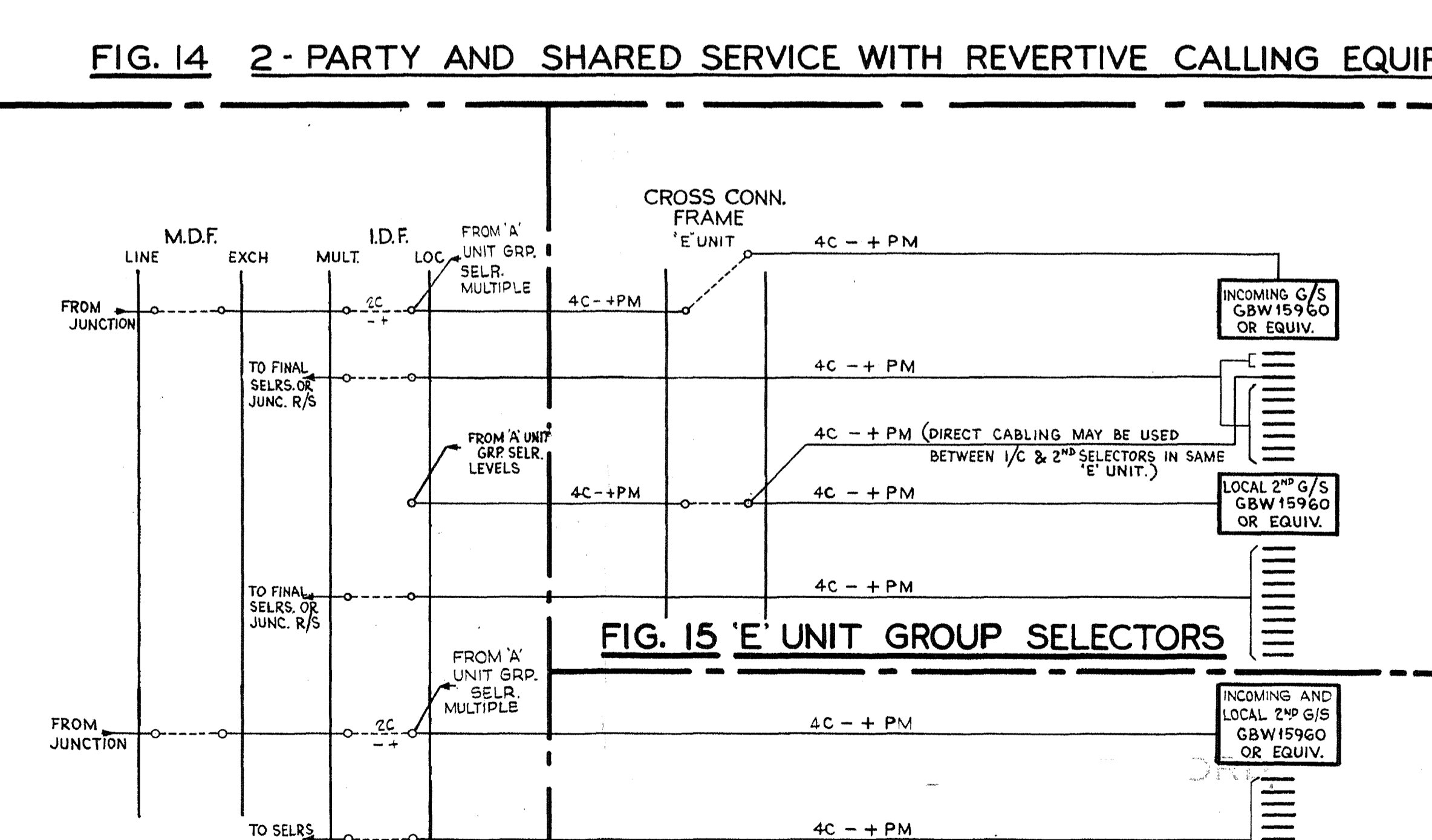


FIG. 15 'E' UNIT GROUP SELECTORS

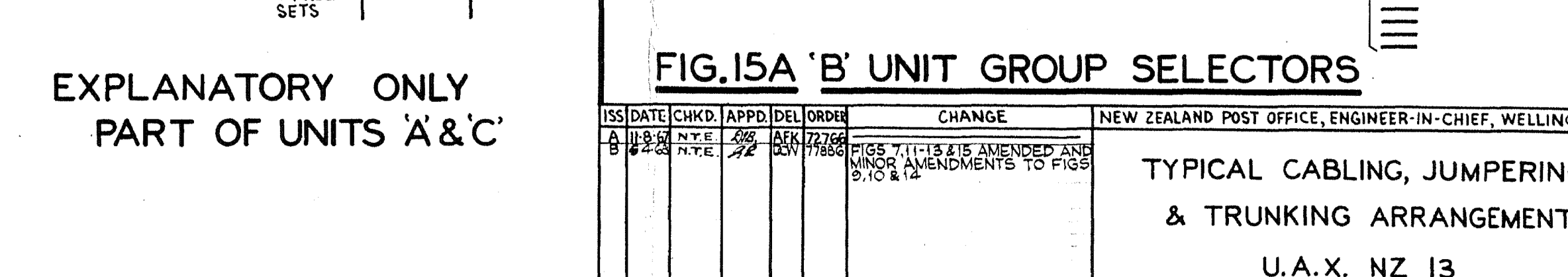


FIG. 15A 'B' UNIT GROUP SELECTORS

EXPLANATORY ONLY
PART OF UNITS 'A' & 'C'

ISS DATE	CHKD	APPD	DEL	ORDR	CHANGE	NEW ZEALAND POST OFFICE, ENGINEER-IN-CHIEF, WELLINGTON.
1958	1/12	2/12	2/12	2/12	FIGS 7-11 & 13-15 AMENDED AND MINOR AMENDMENTS TO FIGS 2, 10 & 14	TYPICAL CABLING, JUMPING & TRUNKING ARRANGEMENTS U.A.X. NZ 13
COY. N°	ORIGIN	REFERENCE	DRAWN	TRACED	AFG.	

TE 67/20/A
L 2 OF 4

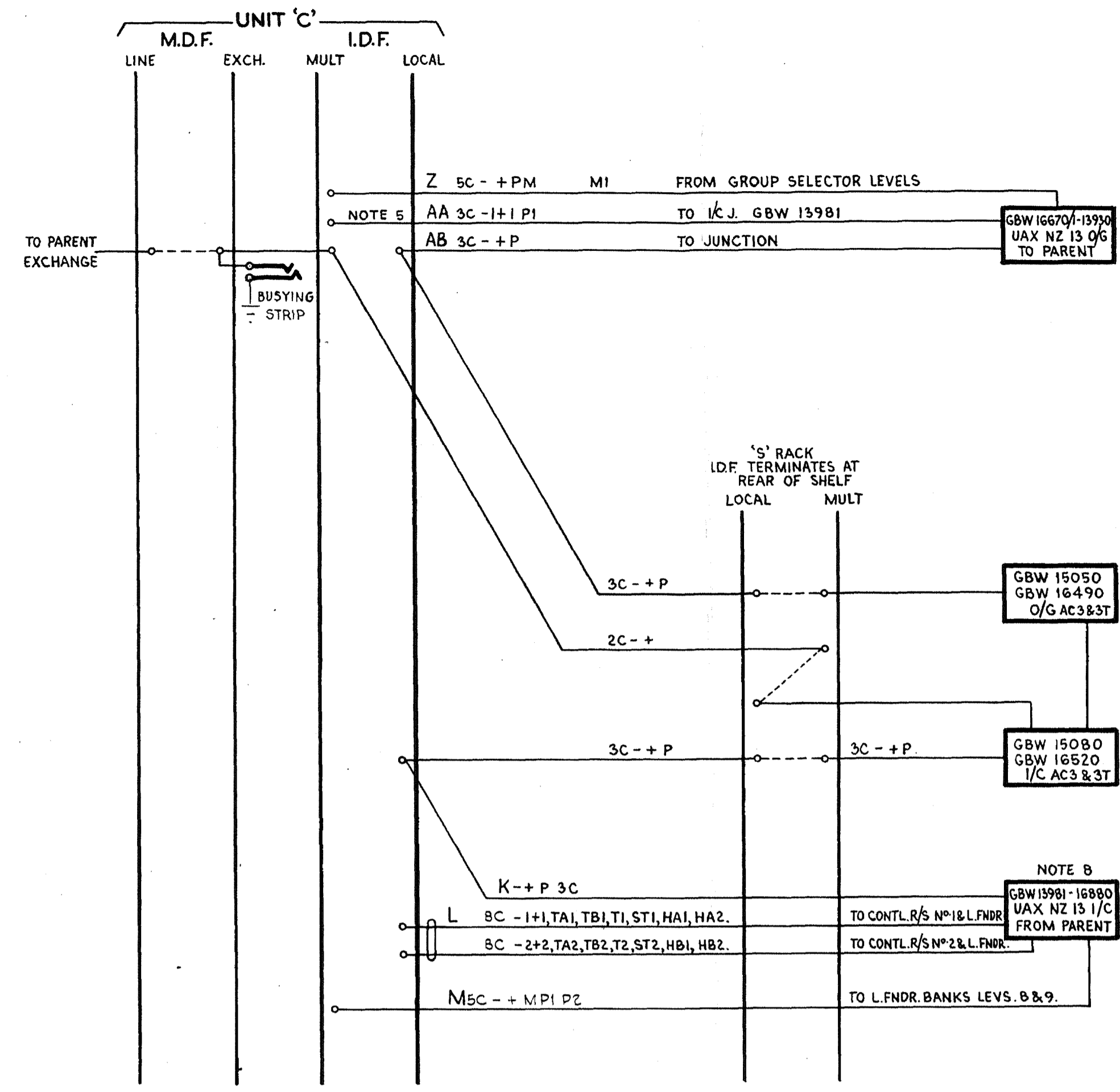


FIG. 16 TERMINAL U.A.X. NZ 13
B/W JUNCS. EQUIPT. WITH NZ SS AC N°3 & 3T
CABLING OF B. & S. UNITS

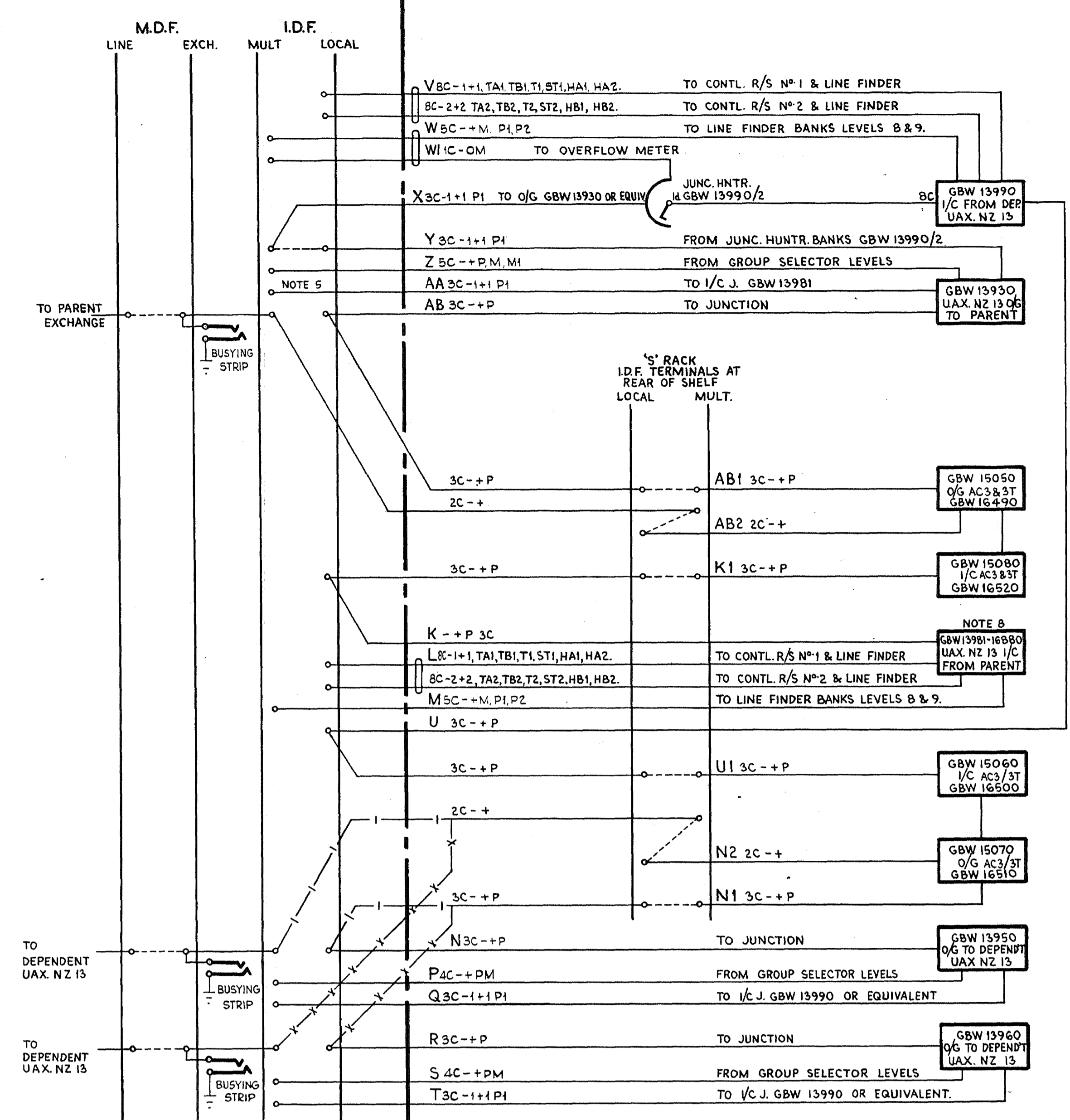


FIG. 19 TANDEM U.A.X. NZ 13
B/W JUNCS. EQUIPT. WITH NZ SS AC N°3 & 3T
CABLING OF B. & S. UNITS.

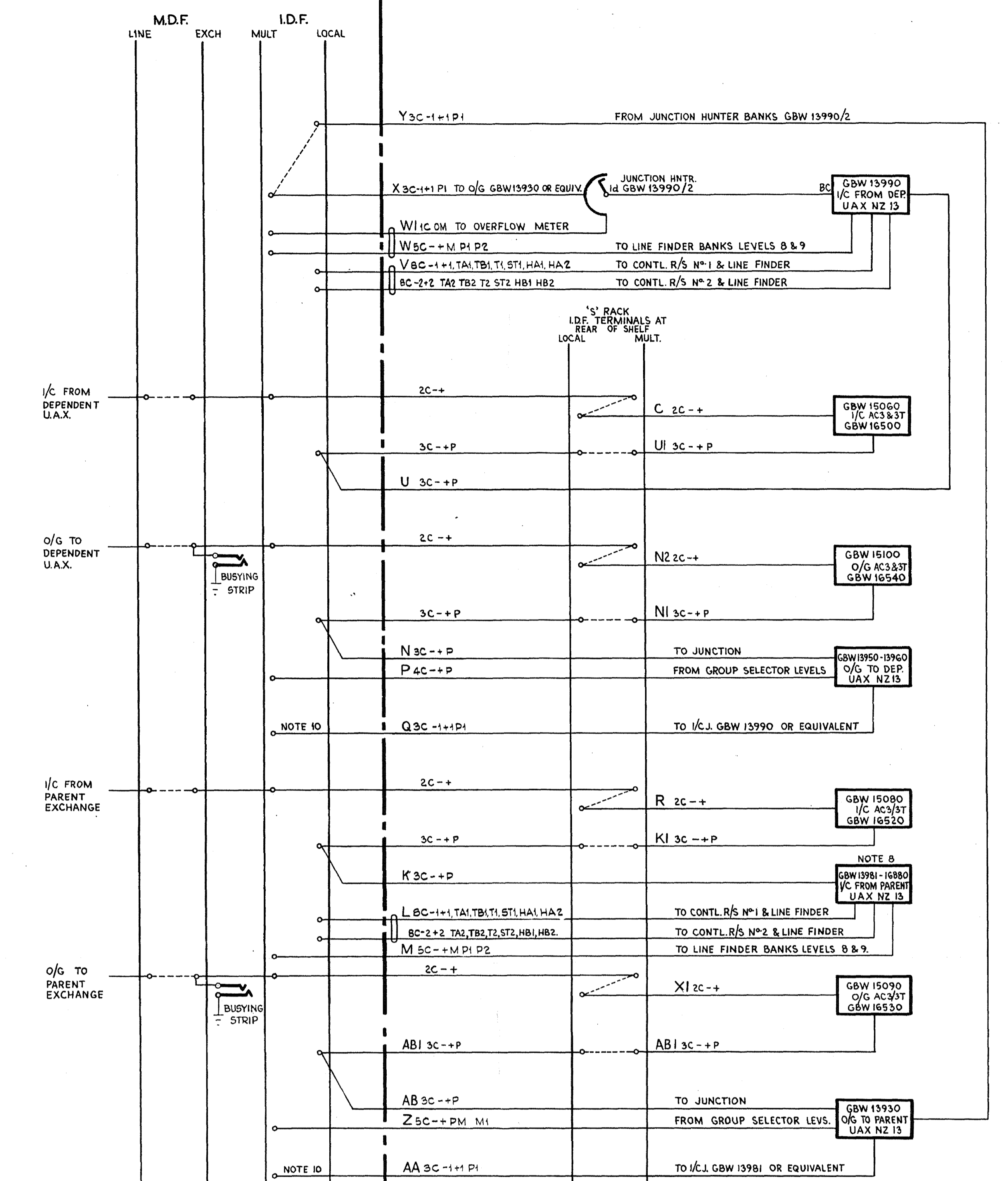


FIG. 22 TANDEM U.A.X. NZ 13
U/D JUNCS. EQUIPT. WITH NZ SS AC N°3 & 3T
CABLING OF B. & S. UNITS

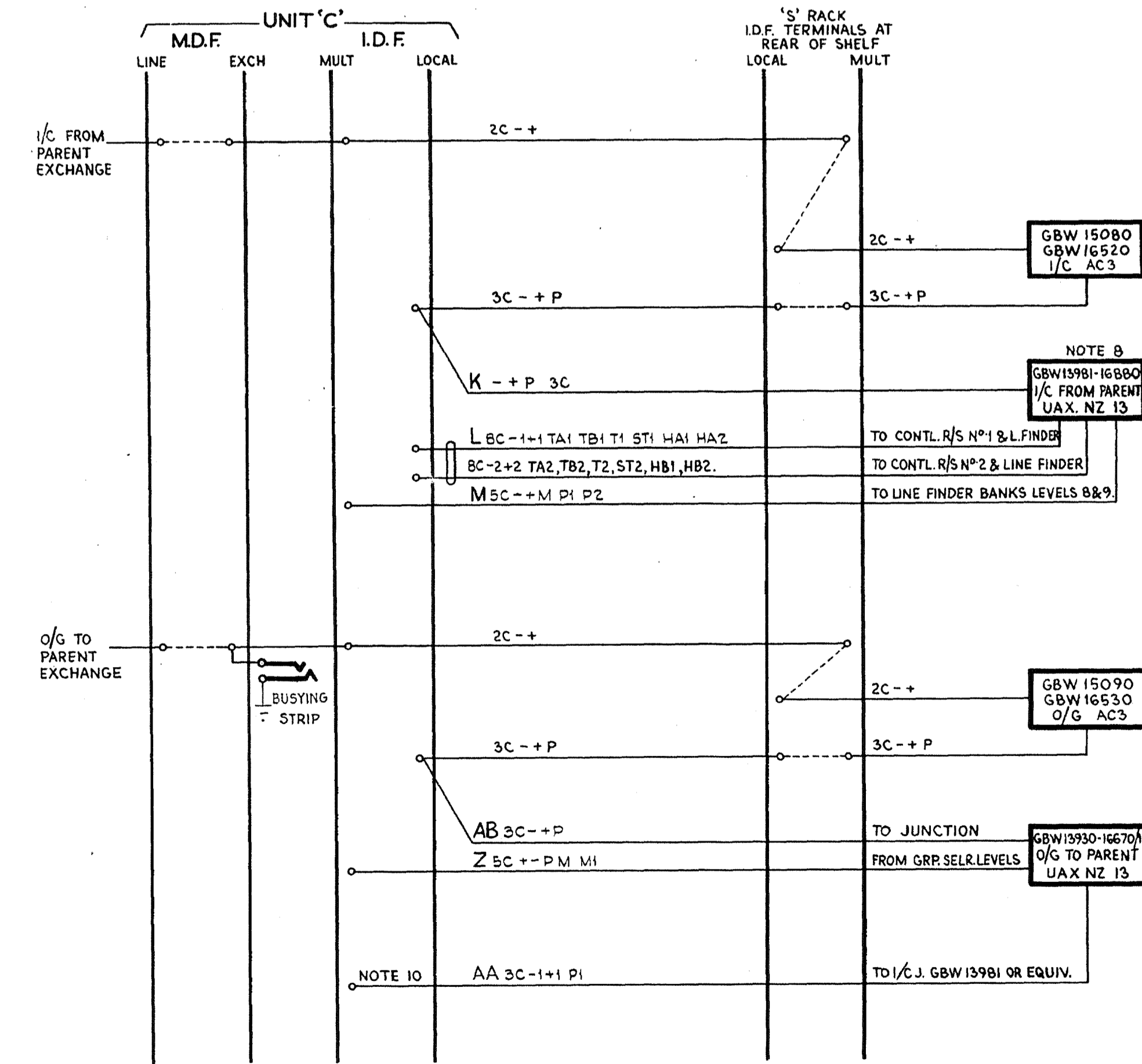


FIG. 17 TERMINAL U.A.X. NZ 13
U/D JUNCS. EQUIPT. WITH NZ SS AC N°3 & 3T
CABLING OF B. & S. UNITS

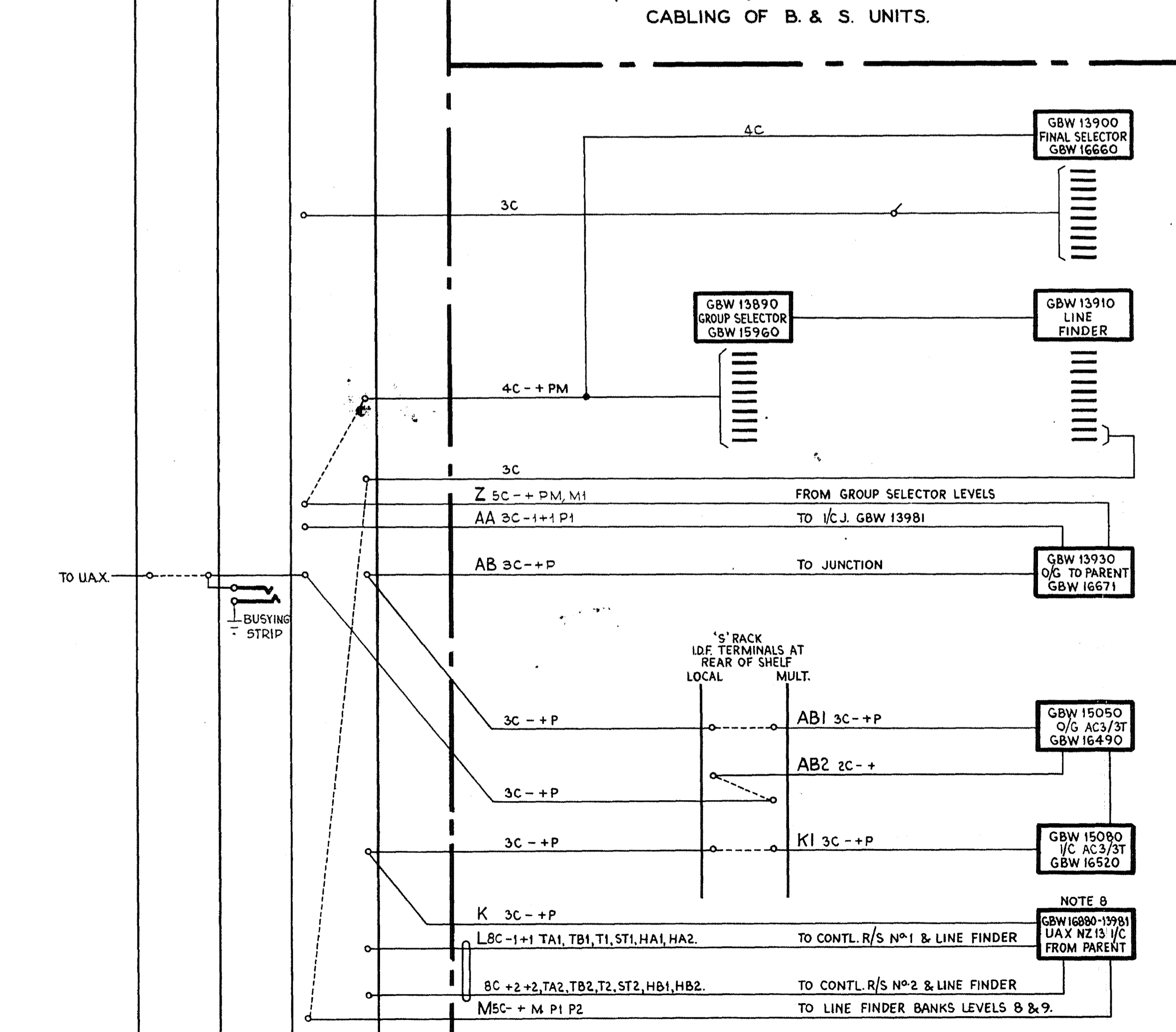


FIG. 20 DEPENDENT U.A.X. NZ 13
B/W JUNCS. EQUIPT. WITH NZ SS AC N°3 & 3T
CABLING OF B. & S. UNITS

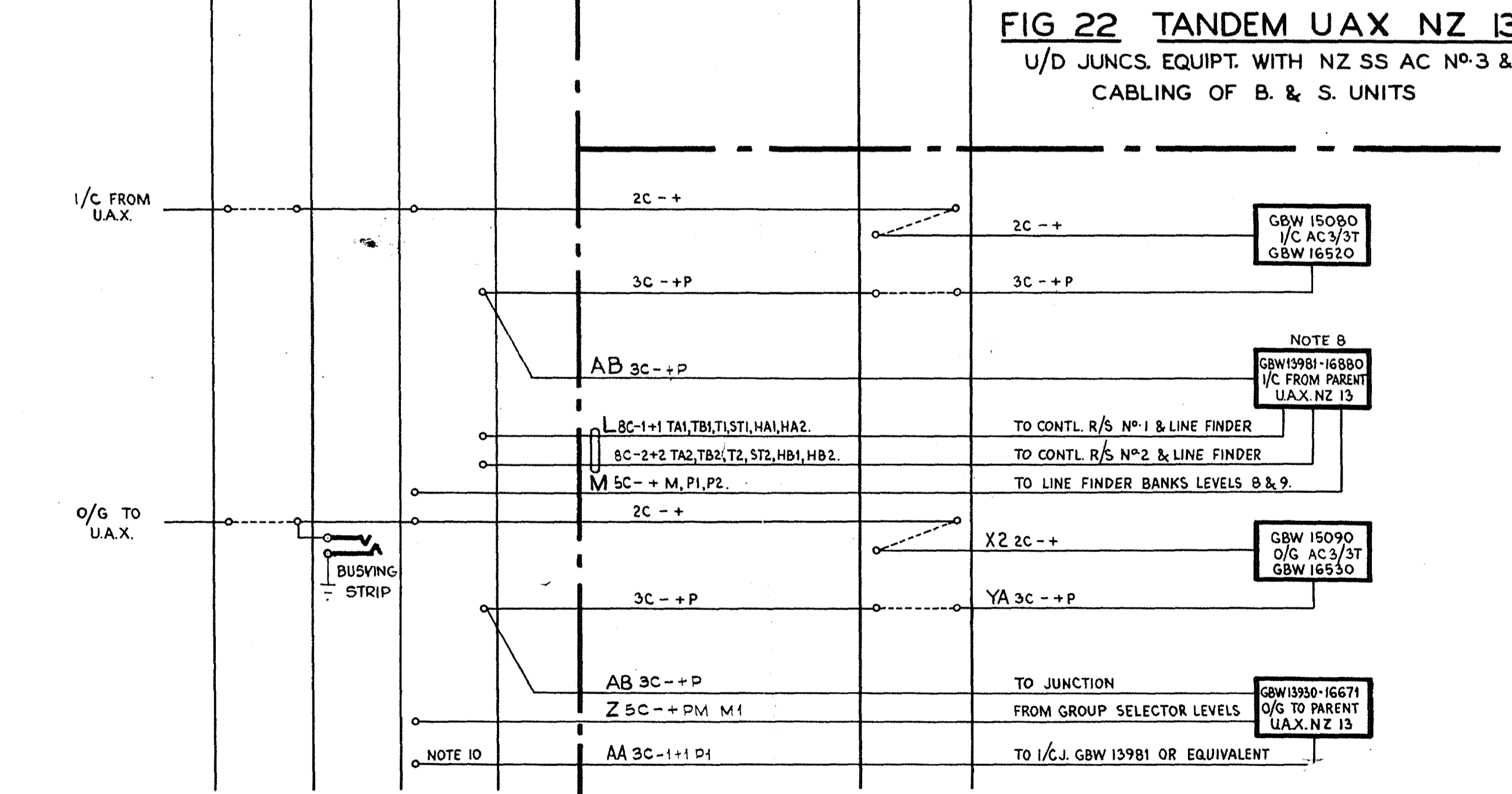


FIG. 23 DEPENDENT U.A.X. NZ 13
U/D JUNCS. EQUIPT. WITH NZ SS AC N°3 & 3T, CABLING OF B. & S. UNITS.

FIG. 21
UNIT 'C'

ISS DATE	CHANGED	APPROVED	DEL ORDER	CHANGE	NEW ZEALAND POST OFFICE ENGINEER IN CHIEF, WELLINGTON.
1967	1967	1967	1967	1967	1967

TYPICAL CABLING, JUMPERING & TRUNKING ARRANGEMENTS U.A.X. NZ 13

COV. N°	SIZE	SHEET
ORIGIN	L	3
REFERENCE	GBW 15780	OF
DRAWN	[TRACED] AFK	4

TE-67/20A

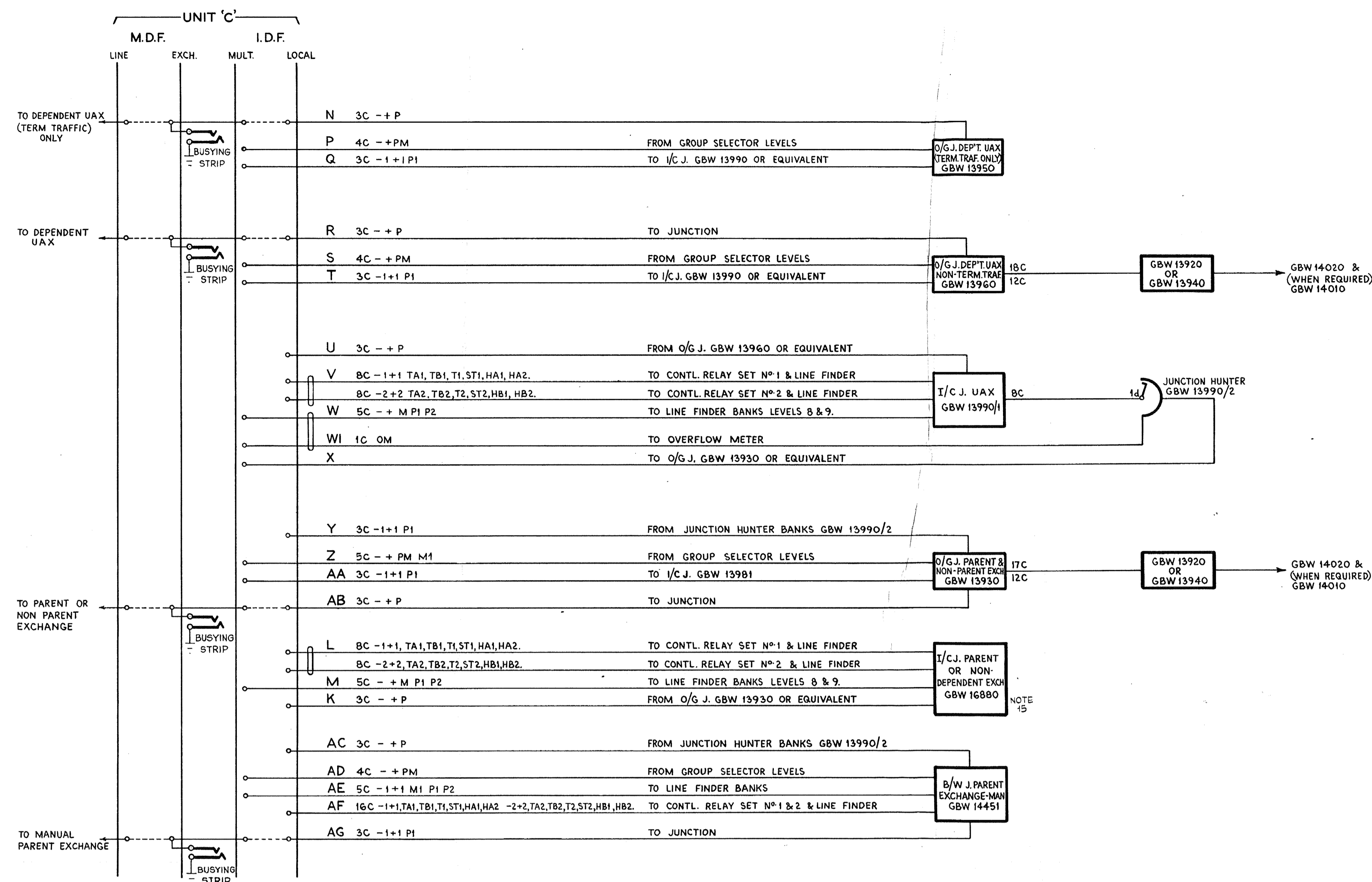


FIG. 24 B UNIT CABLING
TANDEM U.A.X. NZ 13

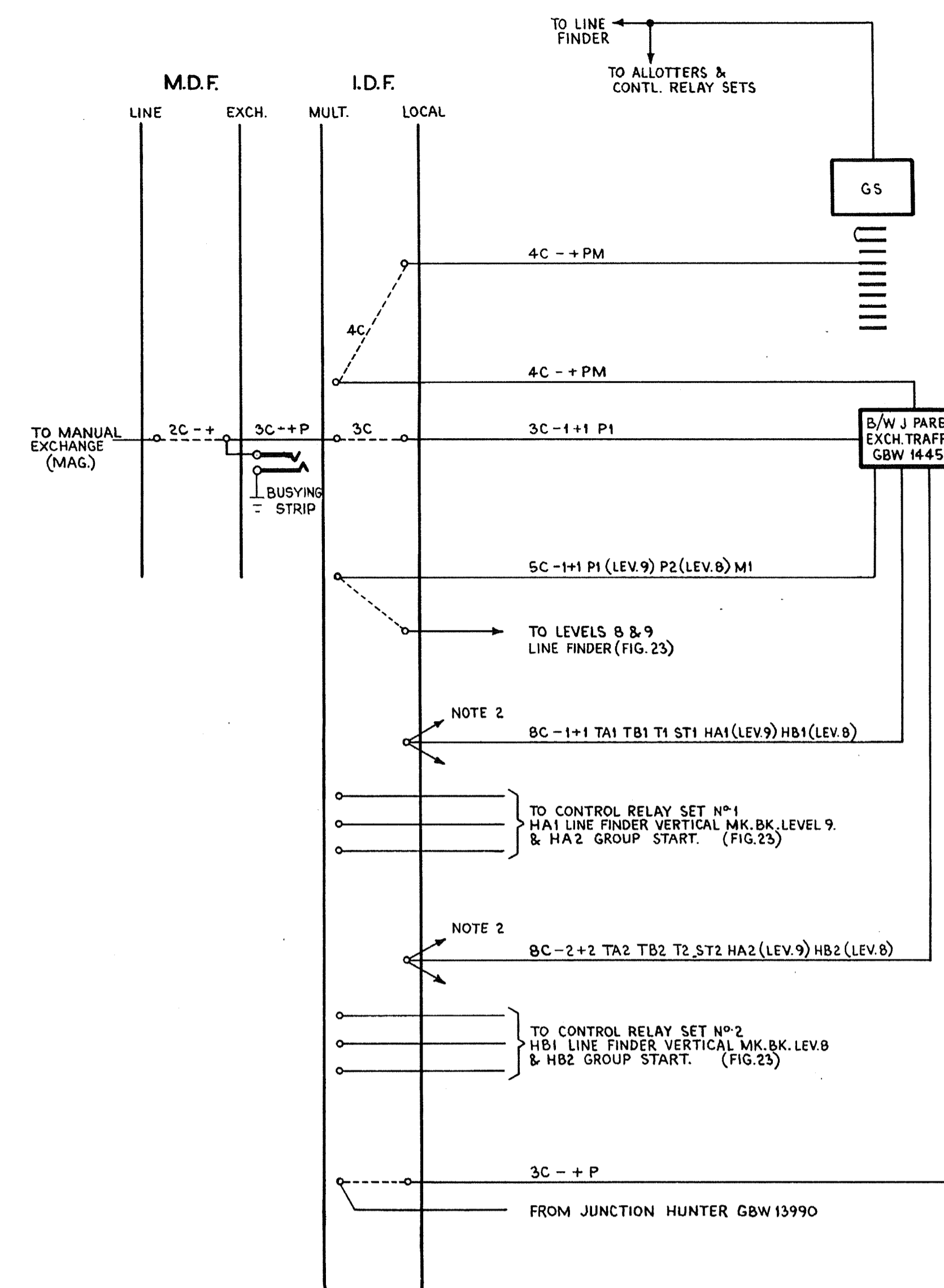


FIG. 25 LEVEL 3
TANDEM U.A.X. NZ 13
(NOTE 3)

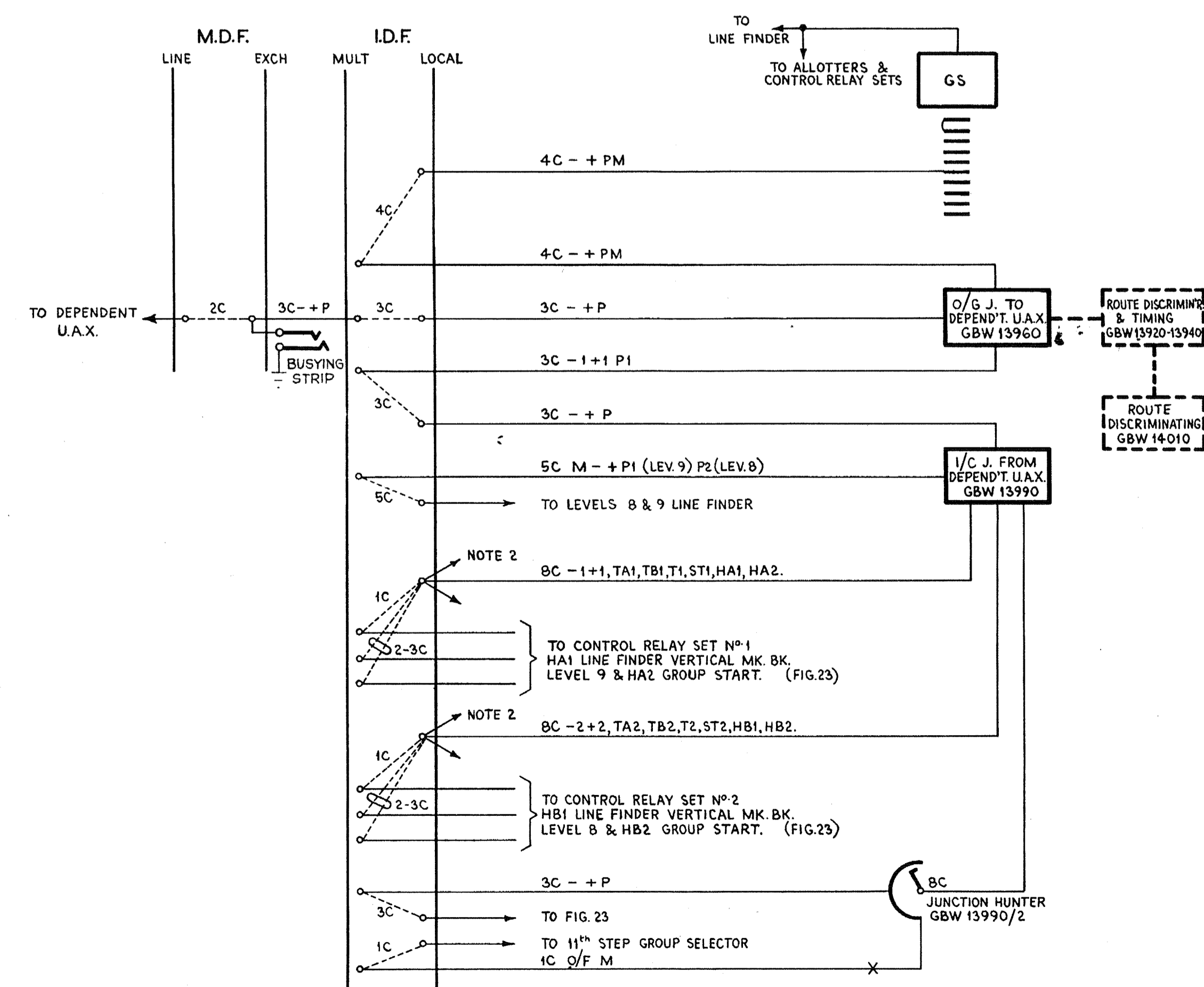


FIG. 26 LEVEL 5
TANDEM U.A.X. NZ 13
(NOTE 3)

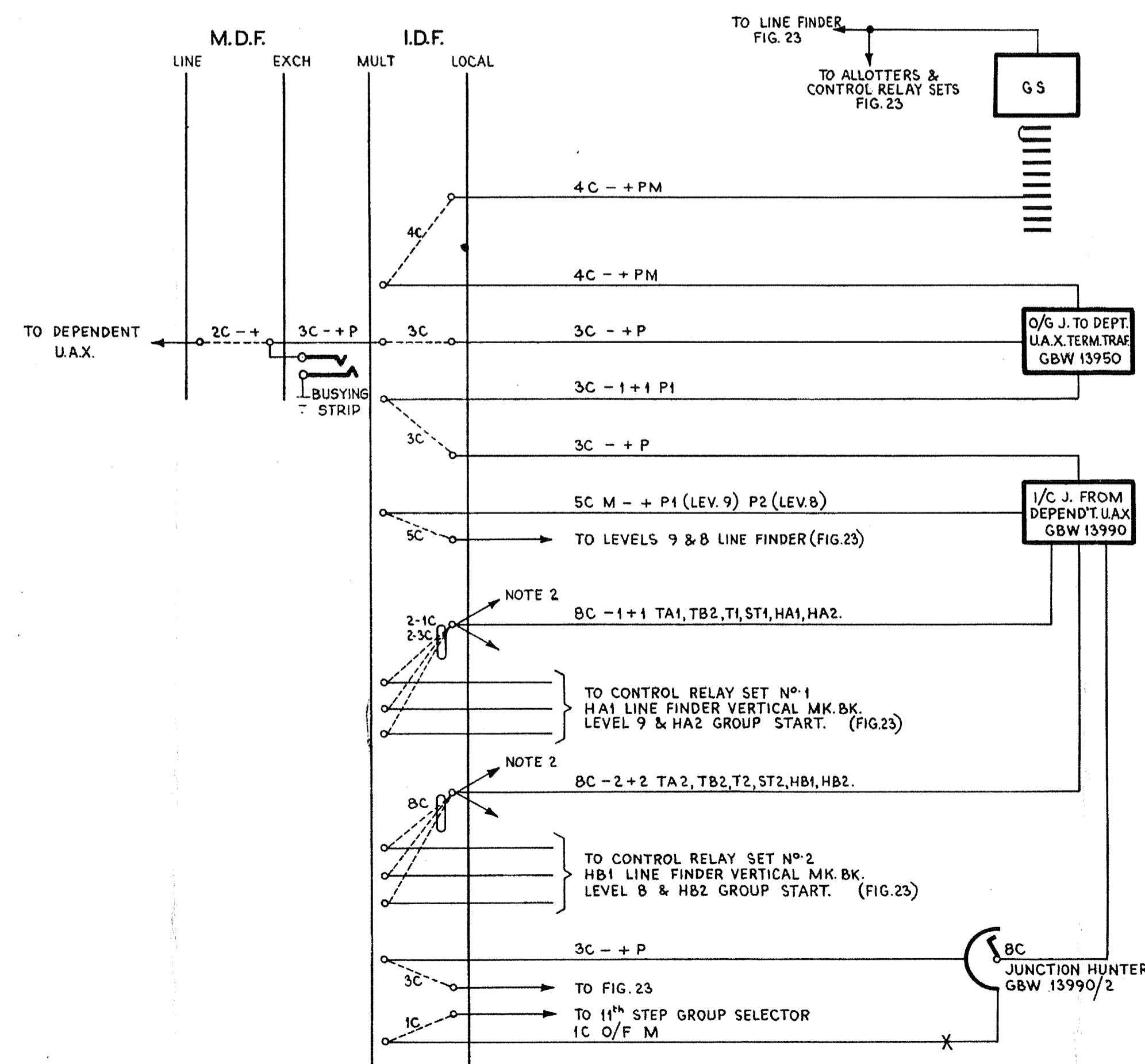


FIG. 27 LEVEL 6
TANDEM U.A.X. NZ 13
(NOTE 3)

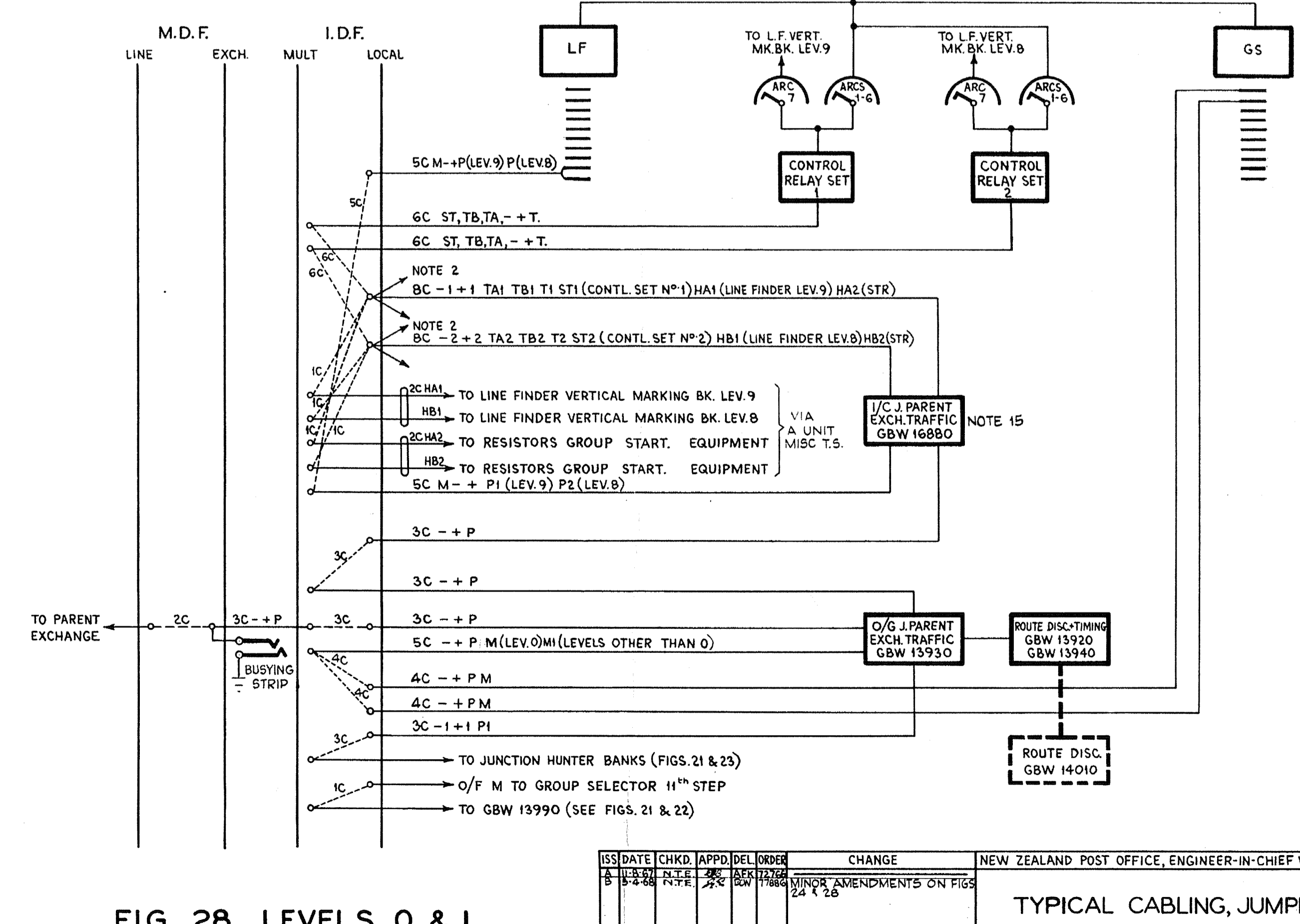


FIG. 28 LEVELS 0 & 1
TANDEM U.A.X. NZ 13
(NOTE 3)

ISS	DATE	CHKD	APPD	DEL	ORDER	CHANGE	NEW ZEALAND POST OFFICE, ENGINEER-IN-CHIEF WELLINGTON.
A	13.12.58	Z.L.F.	288	AFK	15780	AMENDMENTS ON FIGS 24 & 28	
B	15.04.59	P.H.F.	294	AFK	15780		

TYPICAL CABLING, JUMPERING & TRUNKING ARRANGEMENTS U.A.X. NZ 13

COY. N°	ORIGIN	REFERENCE	DRAWN	TRACED	AFK
	GBW 15780				

SIZE SHEET 4 OF 4
TE 67/20 A