

← Z-AXIS

↑ Y-AXIS

NOTES :-  
SEE SHEET 2 FOR FRONT PANEL AND TR7 FIXING AND WIRING

DIRECTIVE G8 VIEW A

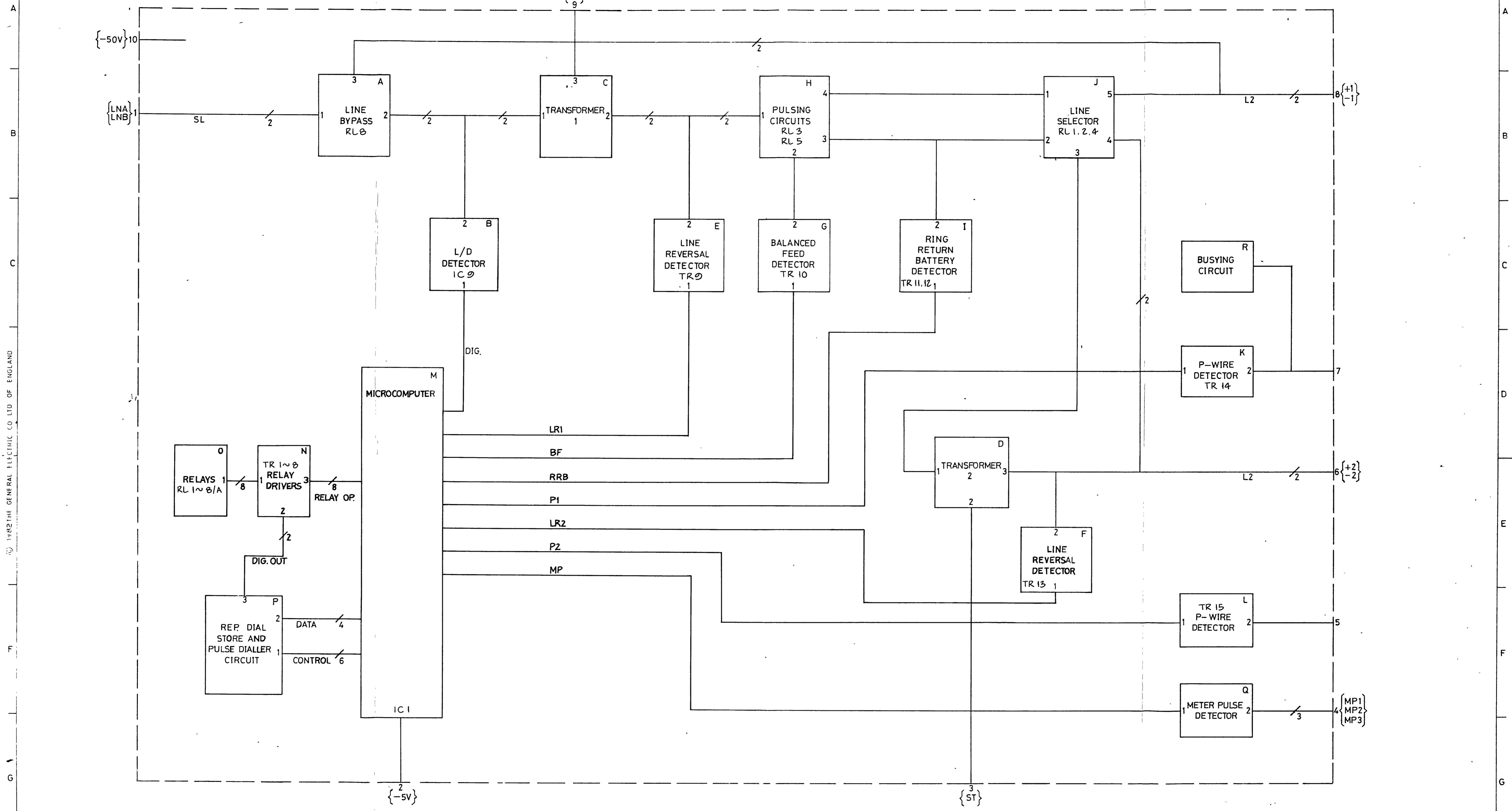
THIS DOCUMENT IS THE SUBJECT OF COPYRIGHT AND MUST NOT BE REPRODUCED IN WHOLE OR PART WITHOUT PRIOR WRITTEN PERMISSION OF THE GENERAL ELECTRIC CO. LTD. AND THE INFORMATION CONTAINED IN IT MUST NOT BE USED OR DISCLOSED WITHOUT SPECIFIC AUTHORISATION OF THE GENERAL ELECTRIC CO. LTD.

DRN	CAD	ENG	KD
TR		APPROVED	
CHK			
ENG	RE	DEPT	E880

TITLE	AMP. INCORP 90/54-671	16-12-86	FB
ISS	003	04/02/82	KD
AMENDMENT	ISS	DATE	APP

GEC CALL DIVERTER UNIT  
15 AMP 5V POWER SUPPLY UNIT  
LAYOUT DIAGRAM

REF: 5057BA TKEU  
DIG LDC LINE  
1HAK 01249 AAT-BMC, O!  
'KEYT. #1462.BJC'  
DIST CODE 3402  
EC 45991 1 of 4



This document is the subject of copyright and must not be reproduced in whole or part without prior written permission of the General Electric Co. Ltd., and the information contained in it must not be used or disclosed without specific authorisation of The General Electric Co. Ltd.

A1	DRN	M.H.	ENG
	TR		
A2	CHK		
	ENG	W J C	DEPT
			EM 825

TITLE AMENDED INCORP 90/54671	ISS	DATE	APP
001			
CHANGE NOTE NO	ISS	DATE	APP

**GEC CALL DIVERTER UNIT**

REF - DP 50578A

DIST CODE: 3404

EC 45991 2 of 4

G E C TELECOMMUNICATIONS LIMITED  
COVENTRY ENGLAND

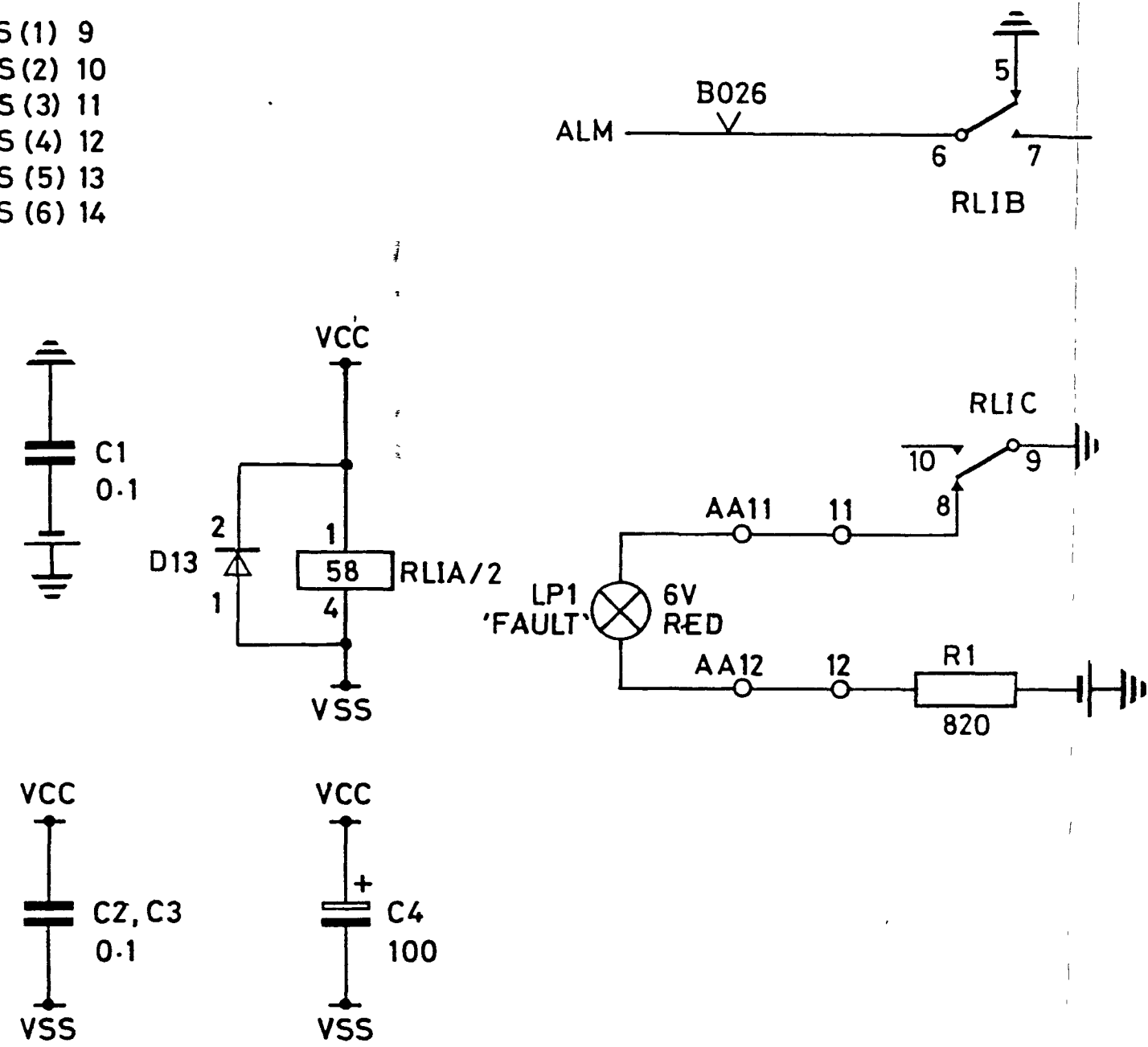
1HAK 00887 ABL-CB

0001

ETH  
25  
-50V  
20

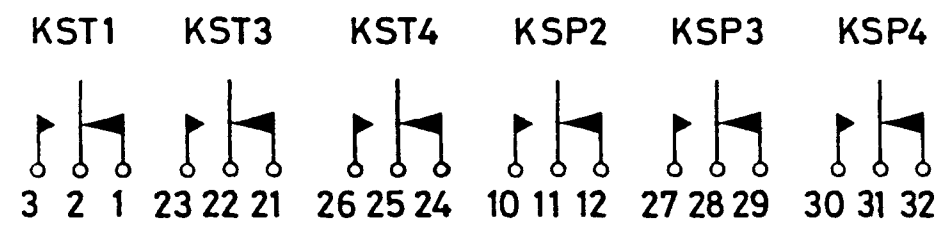
VCC (1) 2  
VCC (2) 3  
VCC (3) 4  
VCC (4) 5  
VCC (5) 6  
VCC (6) 7

VSS (1) 9  
VSS (2) 10  
VSS (3) 11  
VSS (4) 12  
VSS (5) 13  
VSS (6) 14

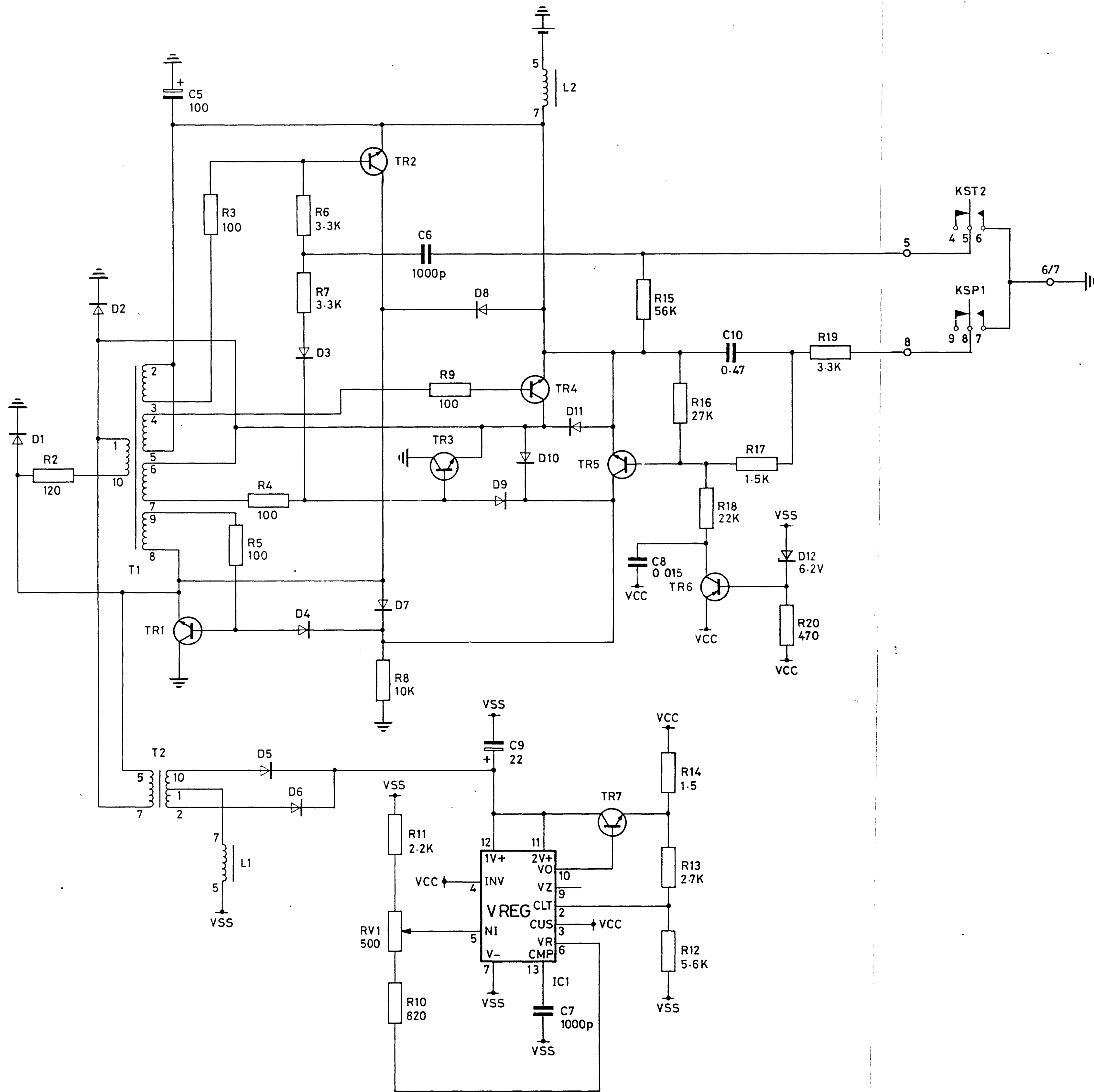
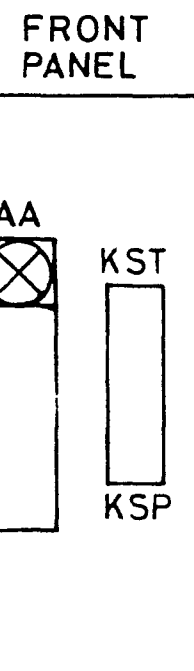


NOTES:-

- FOR +5V SUPPLY, STRAP VSS (1) TO ETH (N).
- FOR -5V SUPPLY, STRAP VCC (1) TO ETH (N).



POSN	ASS'Y REF	TYPE
IC1		123-0099-001



THIS DOCUMENT IS THE SUBJECT OF COPYRIGHT AND MUST NOT BE REPRODUCED IN WHOLE OR PART WITHOUT PRIOR WRITTEN PERMISSION OF THE GENERAL ELECTRIC CO. LTD., AND THE INFORMATION CONTAINED IN IT MUST NOT BE USED OR DISCLOSED WITHOUT SPECIFIC AUTHORISATION OF THE GENERAL ELECTRIC CO. LTD.

DO NOT SCALE DP 50578 A

A1	DRN	GW	ENG
	TR		
A2	CHK		APPROVED
	ENG	K.S.D.	DEPT E825

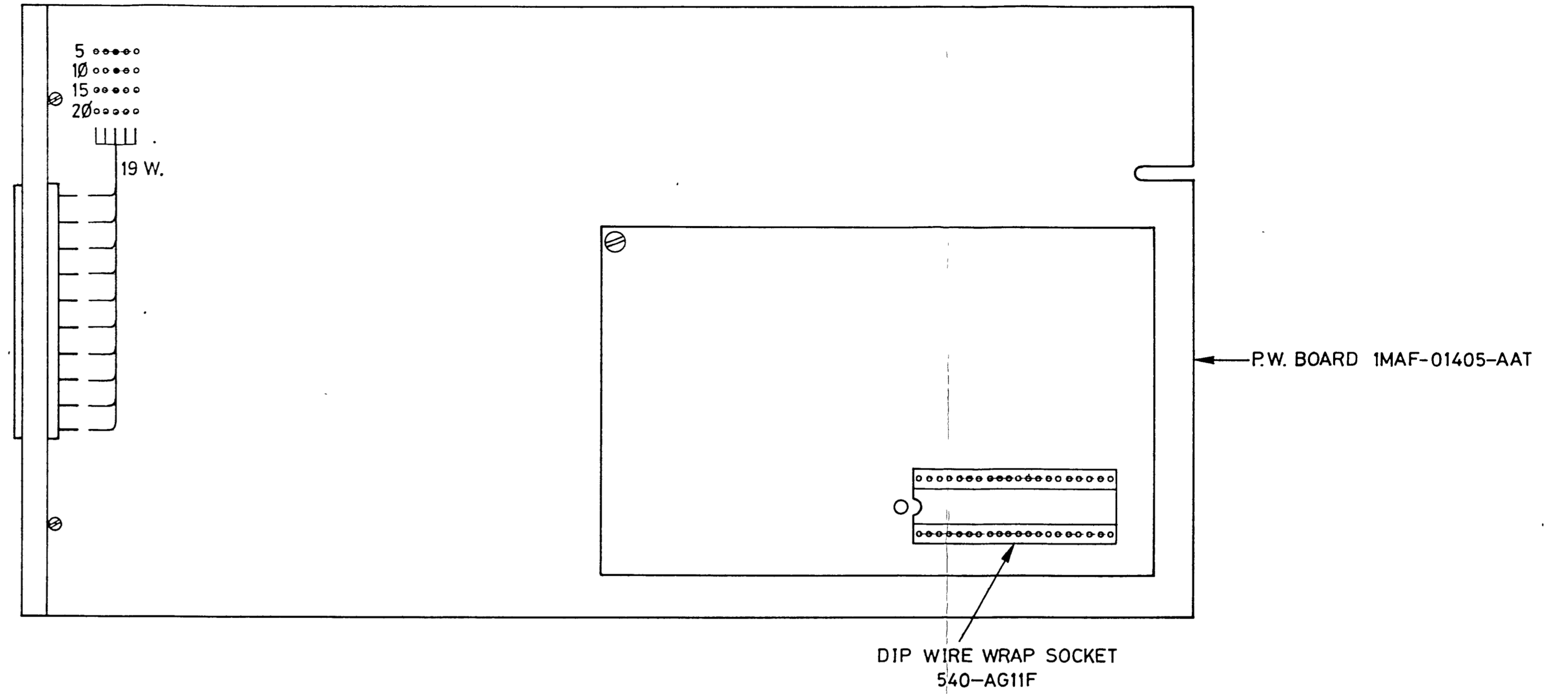
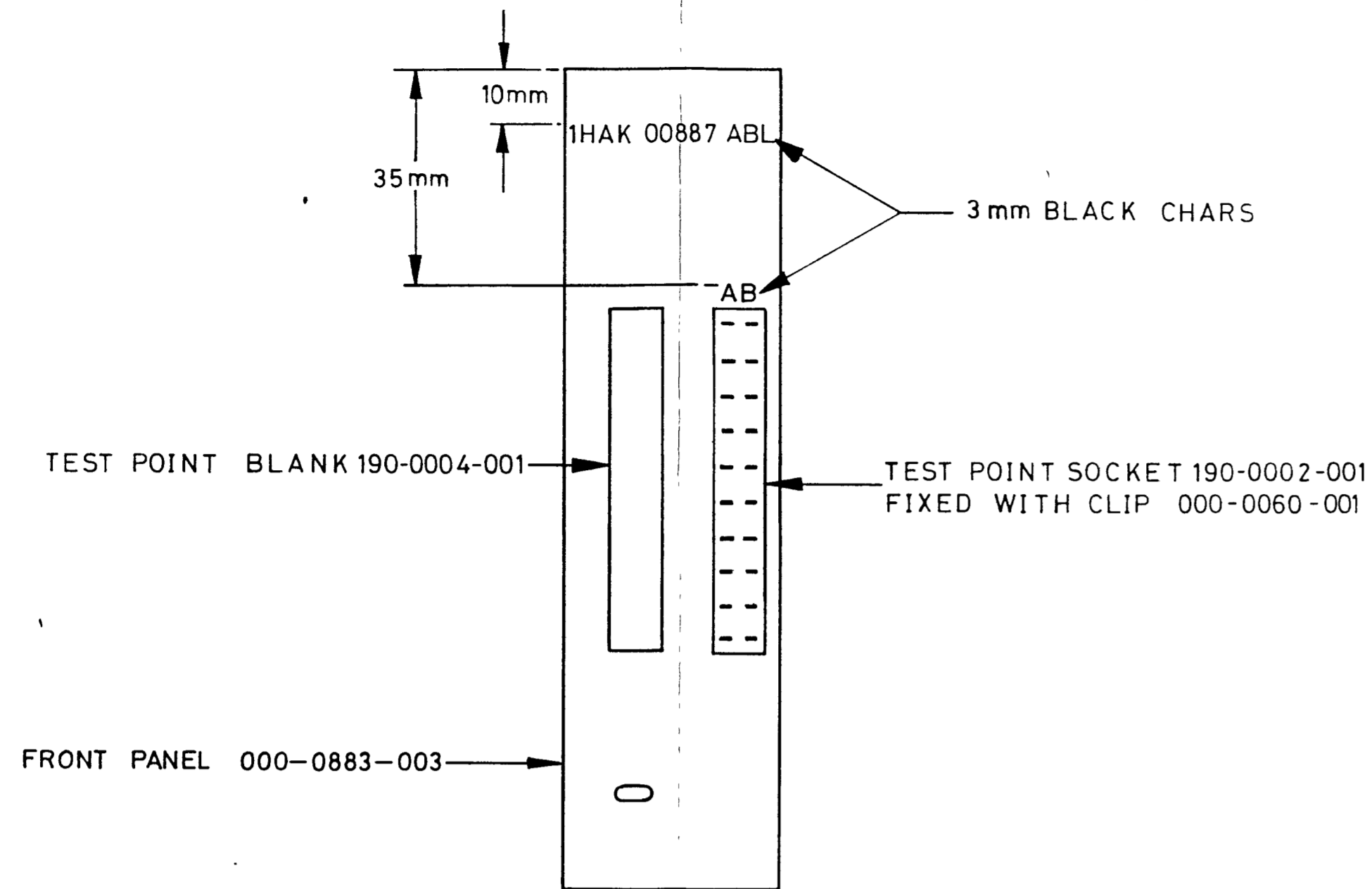
TITLE	AMENDED	INCORP	90/54G71	ISS	DATE	APPD
DIODE D13 ADDED				03	27.01.82	R.A.E.
RELAY RL1 & LAMP ADDED				02	27.10.82	R.A.E.
				01	12.08.81	R.A.E.

TOLERANCES UNLESS OTHERWISE STATED ALL DIMENSIONS ARE IN INCHES DIMENSIONS ARE BEFORE FINISHING SYMBOLS TO BSS JOB	IG 12 86 FB
FRAC DIMS DEC DIMS ANGLES SQ TOL	STR TOL PART TOL PAR TOL CONC TOL
HOLES DIA SYMMETR TOL ASYMMETR TOL	POSN TOL DIA

GEC CALL DIVERTER UNIT

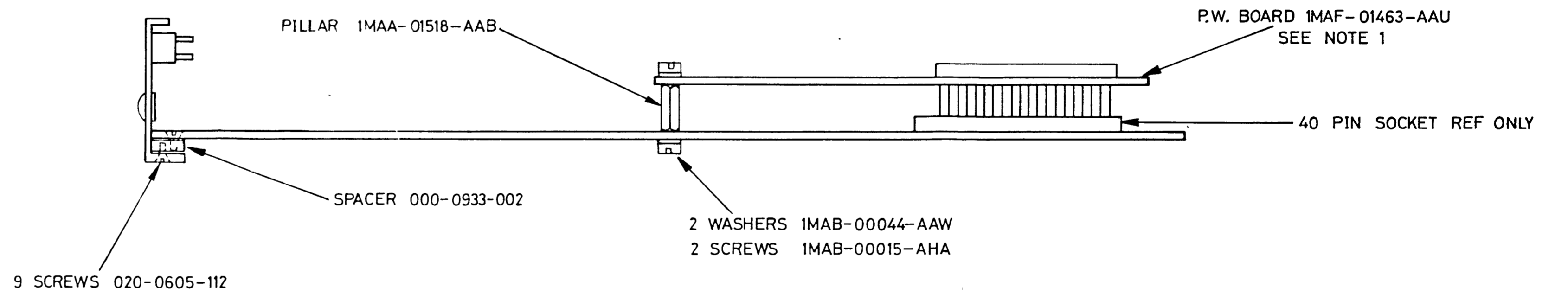
ELECTRONIC ELEMENT  
5V POWER SUPPLY 1-5A

REF:-	DIST. CODE 3402 B
	EC 45001 3 of 4
G E C TELECOMMUNICATIONS LIMITED COVENTRY ENGLAND	
1HAK 01249 AAT-CPC 1	



NOTE: STRAPS ARE 0.4mm GREEN 1WAA-00001-ACA

STRAP (SEE NOTE)	
FROM	TO
AB1	PAD 1
AB2	PAD 2
AB3	PAD 3
AB4	PAD 4
AB5	PAD 5
AB7	PAD 7
AB8	PAD 8
AB9	PAD 9
AB10	PAD10
AB11	PAD11
AB12	PAD12
AB13	PAD13
AB14	PAD14
AB15	PAD15
AB16	PAD16
AB17	PAD17
AB18	PAD18
AB19	PAD19
AB20	PAD20



NOTE  
1 MOUNTING OF 1MAF 01463-AAU WHEN SPECIFIED

THIS DOCUMENT IS THE SUBJECT OF COPYRIGHT AND MUST NOT BE REPRODUCED IN WHOLE OR PART WITHOUT PRIOR WRITTEN PERMISSION OF THE GENERAL ELECTRIC CO. LTD., AND THE INFORMATION CONTAINED IN IT MUST NOT BE USED OR DISCLOSED WITHOUT SPECIFIC AUTHORISATION OF THE GENERAL ELECTRIC CO. LTD.

DO NOT SCALE

A1	DRN	M.H.	ENG
	TR		
A2	CHK		
	ENG	W.J.C.	DEPT EM 825

TITLE AND INCORP	00154671	16 12 86	F B
AMENDMENT		ISS	DATE

FRAC DIMS	STR TOL	WIDE
DEC DIMS	PLAT TOL	WIDE
ANGLES	PAR TOL	WIDE
SD TOL	WIDE	CONIC TOL
HOLE DIA	ROSN TOL	DIA
SYMMETRIC ABOUT $\phi$ IS EQUALLY DIVIDED ABOUT THE $\phi$		

GEC CALL DIVERTER UNIT  
1HAK 00887 ABL WIRING AND ASSEMBLY INFORMATION

REF - DP 50578 A
DIST CODE 3402 B
EC 45091 4 of 4
1 HAK 00887 ABL-ENC 0002

G E C TELECOMMUNICATIONS LIMITED  
COVENTRY ENGLAND