
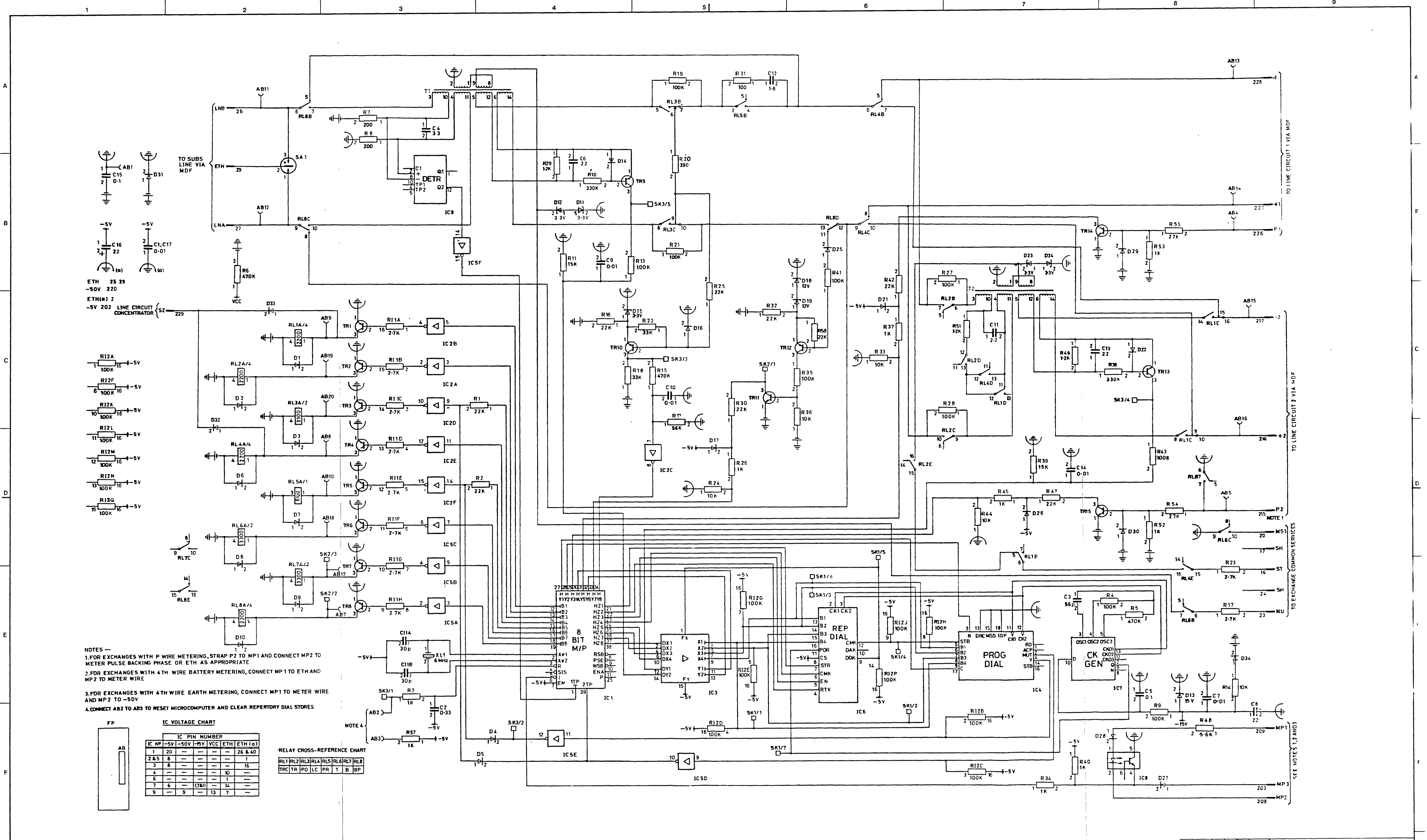


1		2		3		4		5							
SHT NO	SIZE	SUB-TITLE				ISSUE		SHT NO	SIZE	SUB-TITLE				ISSUE	
26								1	A1	LSTU CALL DIVERTOR				A	
27								2	A2	ELECTRONIC ELEMENT 5V POWER SUPPLY 1.5A				A	
28								3	A2	CALL DIVERTOR LSTU BLOCK DIAGRAM				A	
29								4	A2	CALL DIVERTOR LAYOUT DIAGRAM				A	
30								5	A2	1.5 AMP 5V POWER SUPPLY UNIT LAYOUT DIAGRAM				A	
31								6	A2	1 HAK 00887 ABL WIRING AND ASSEMBLY INFORMATION				A	
32								7							
33								8							
34								9							
35								10							
36								11							
37								12							
38								13							
39								14							
40								15							
41								16							
42								17							
43								18							
44								19							
45								20							
46								21							
47								22							
48								23							
49								24							
50								25							

<p style="text-align: center;">CALL DIVERSION EQUIPMENT GEC ASF 30</p>										DRN <i>MG</i>	CKD <i>KE</i>	ORIGIN <i>SS NU</i>
										TCD <i>MG</i>	APPD	STANDARD
										TELECOM CORPORATION OF NEW ZEALAND LTD DISTRICT MANAGER, NEW PLYMOUTH		
											INDEX 1 OF 1	SIZE <b>A3</b>
<p>A 9787 MG — — 66350 PREVIOUSLY SK 8311</p> <p>ISS DATE DEL CKD APD ORDER CHANGE</p>												



ETH 25 29  
-50V 220  
ETH#1 2  
-5V 202 LINE CIRCUIT CONCENTRATOR

- R12A 100K -5V
- R12F 100K -5V
- R12K 100K -5V
- R12L 100K -5V
- R12M 100K -5V
- R12N 100K -5V
- R12Q 100K -5V

- NOTES —
1. FOR EXCHANGES WITH P WIRE METERING, STRAP P2 TO MP1 AND CONNECT MP2 TO METER PULSE BACKING PHASE OR ETH AS APPROPRIATE
  2. FOR EXCHANGES WITH 4TH WIRE BATTERY METERING, CONNECT MP1 TO ETH AND MP2 TO METER WIRE
  3. FOR EXCHANGES WITH 4TH WIRE EARTH METERING, CONNECT MP1 TO METER WIRE AND MP2 TO -50V
  4. CONNECT AB2 TO AB3 TO RESET MICROCOMPUTER AND CLEAR REPERTORY DIAL STORES

IC VOLTAGE CHART

IC NO	-5V	-50V	VCC	ETH	ETH (G)
1	20				26 & 40
2 & 5	8				16
3	8				16
4					10
6					1
7	6	17A			14
9	9				13

RELAY CROSS-REFERENCE CHART

RL1	RL2	RL3	RL4	RL5	RL6	RL7	RL8
TRC	TR	FD	LC	PR	T	B	BP

A 0787		PREVIOUSLY SK 8311	
ISS DATE		DEL CKD APPORDR	
CHANGE			
DRN LITHO	CKD	ORIGIN	SONU
TCD	APPD	STANDARD	
TELECOM CORPORATION OF NEW ZEALAND LTD DISTRICT MANAGER, NEW PLYMOUTH			
SHT 1		NU 4271	
SIZE A1			

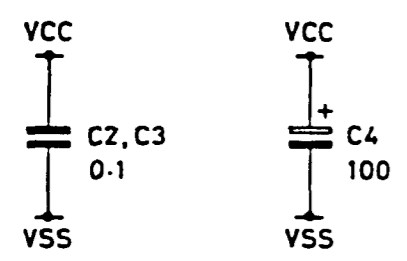
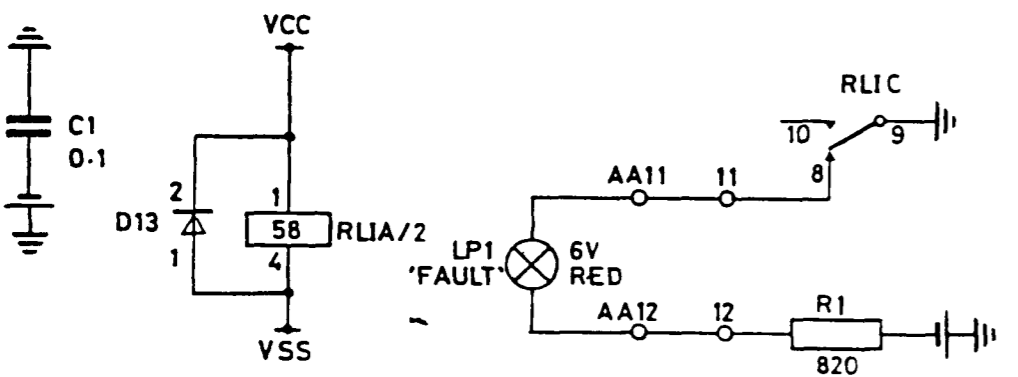
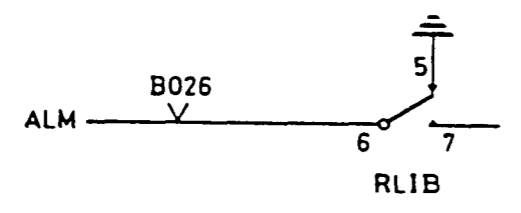
CALL DIVERSION EQUIPMENT  
GEC ASF 30  
LSTU CALL DIVERTOR

ETH  
25

-50V  
20

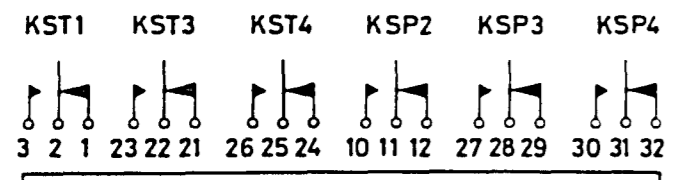
VCC (1) 2  
VCC (2) 3  
VCC (3) 4  
VCC (4) 5  
VCC (5) 6  
VCC (6) 7

VSS (1) 9  
VSS (2) 10  
VSS (3) 11  
VSS (4) 12  
VSS (5) 13  
VSS (6) 14



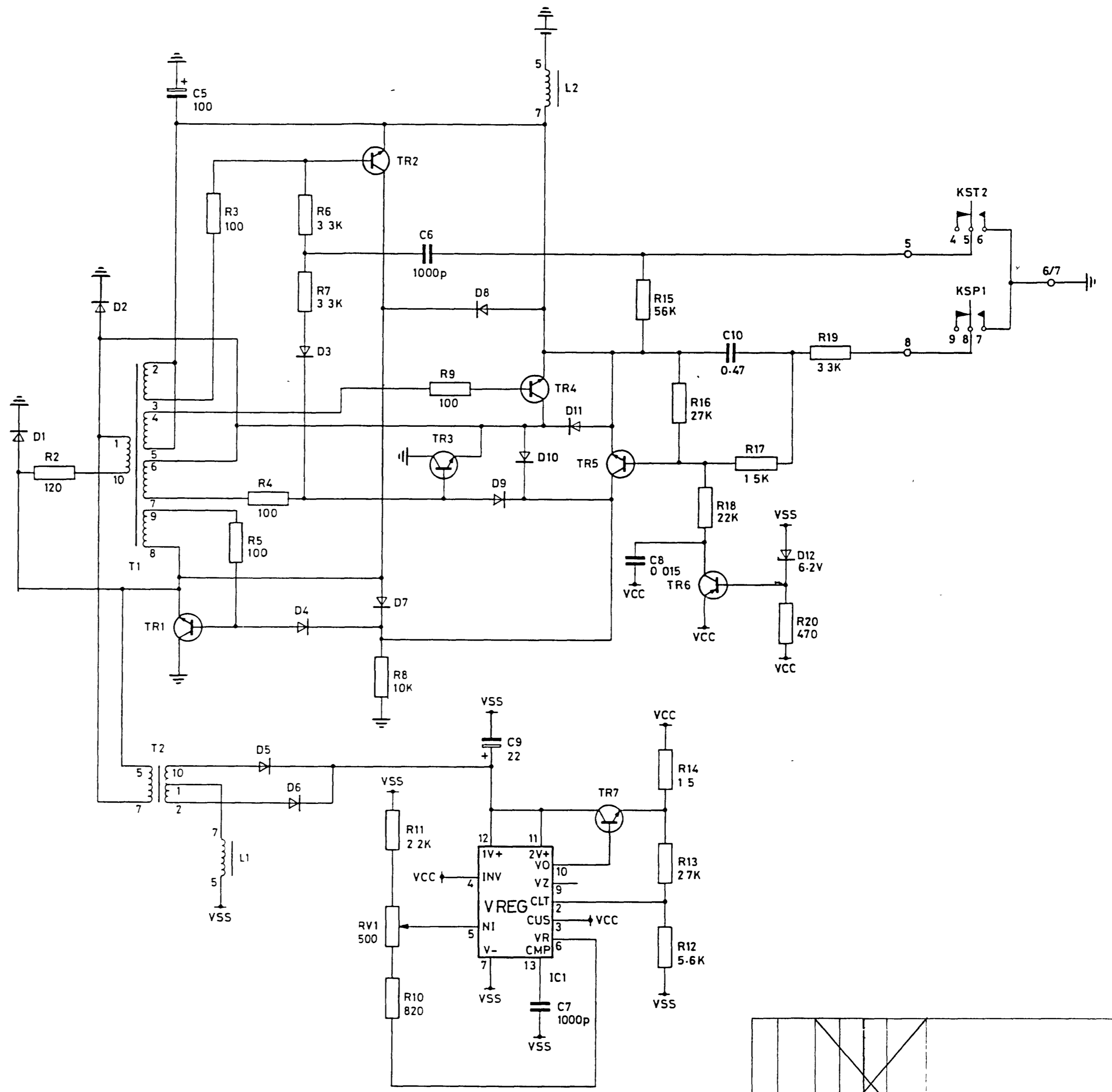
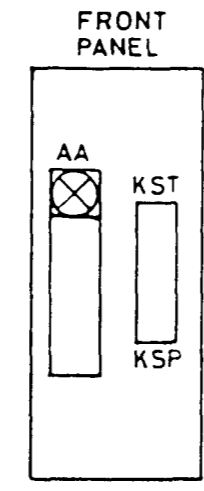
NOTES -

- 1. FOR +5V SUPPLY, STRAP VSS (1) TO ETH (N)
- 2. FOR -5V SUPPLY, STRAP VCC (1) TO ETH (N)



START (KST) + NORMAL + STOP (KSP)  
4

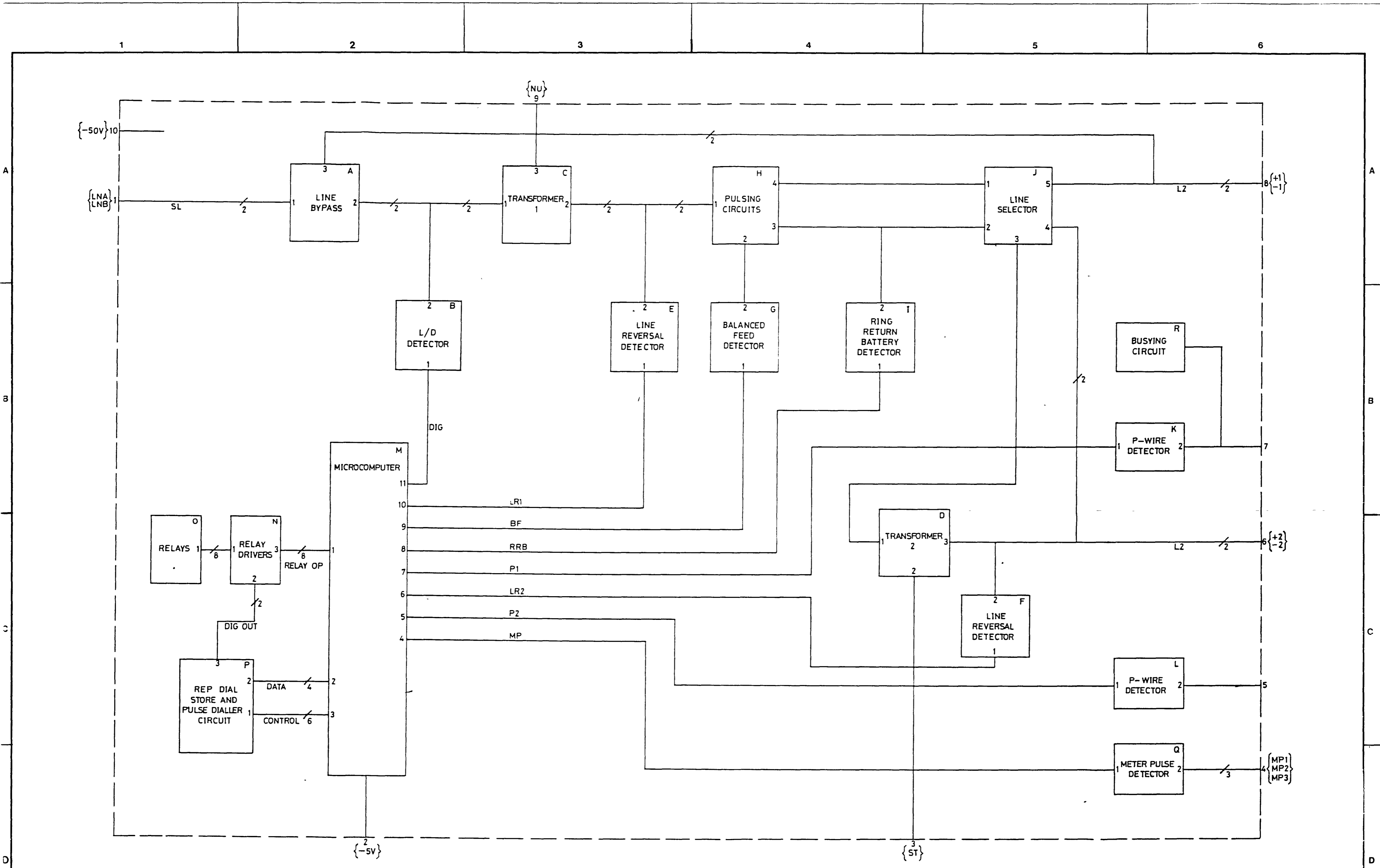
POSN	ASS'Y REF	TYPE
IC1		123-0099-001



A 2787	PREVIOUSLY SK 8311
ISS DATE	DELICD APD ORDER
CHANGE	

CALL DIVERSION EQUIPMENT  
GEC ASF 30  
ELECTRONIC ELEMENT  
5V POWER SUPPLY 1.5A

DRN LITHO	CKD <i>sa</i>	ORIGIN SSNU
TCD	APPD <i>sa</i>	STANDARD
TELECOM CORPORATION OF NEW ZEALAND LTD DISTRICT MANAGER, NEW PLYMOUTH		
SHT	2	NU 4271
SIZE	A2	



ISS	DATE	DEL	CKD	APP	ORDER	CHANGE

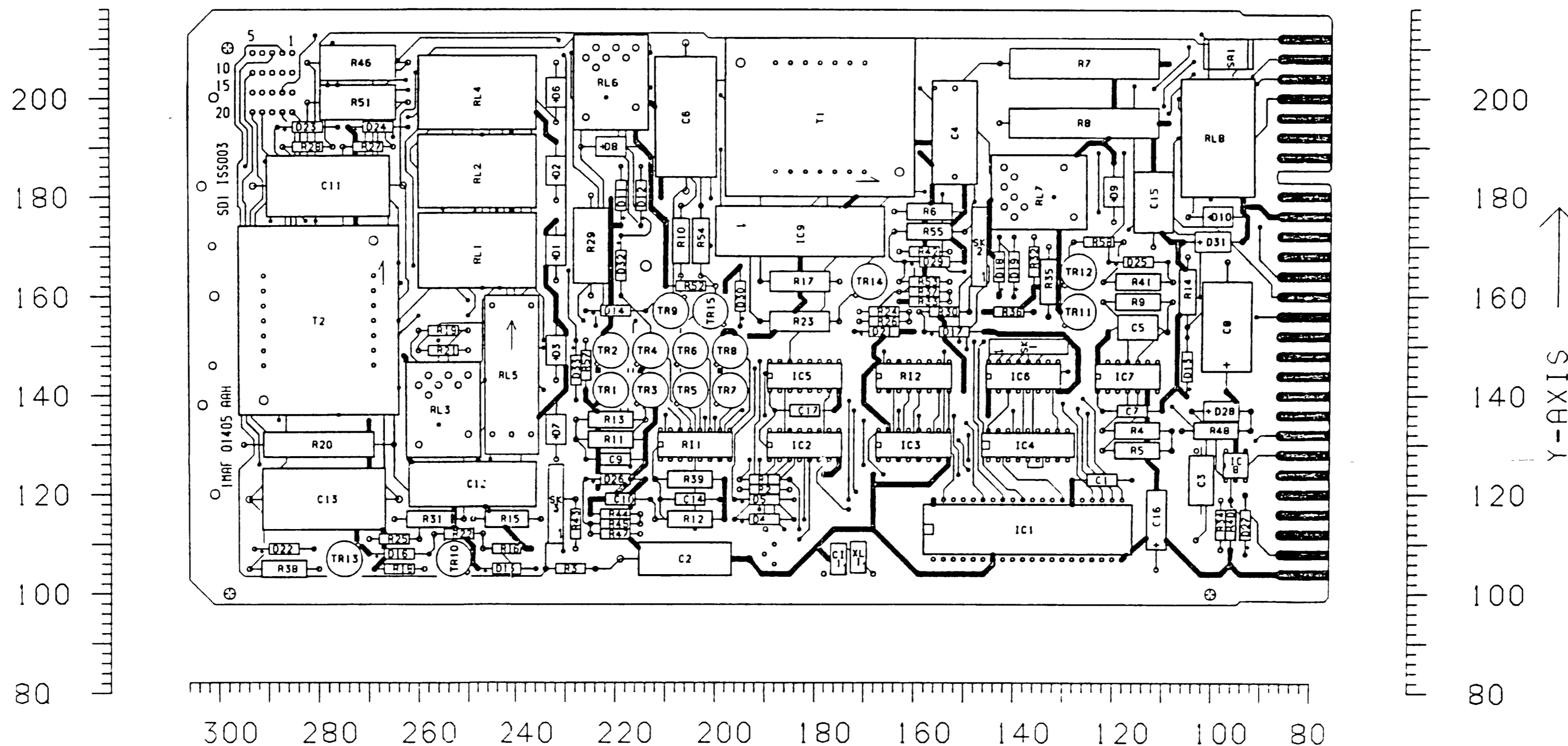
PREVIOUSLY SK 8311

CALL DIVERSION EQUIPMENT  
GEC ASF 30  
CALL DIVERTOR  
LSTU BLOCK DIAGRAM

DRN LITHO	CKD	ORIGIN	SS NU
TCD	APPD	STANDARD	
TELECOM CORPORATION OF NEW ZEALAND LTD DISTRICT MANAGER, NEW PLYMOUTH			
SHT	3	NU 4271	
SIZE	A2		

UD 27

300 280 260 240 220 200 180 160 140 120 100 80




← Z-AXIS

NOTES :-

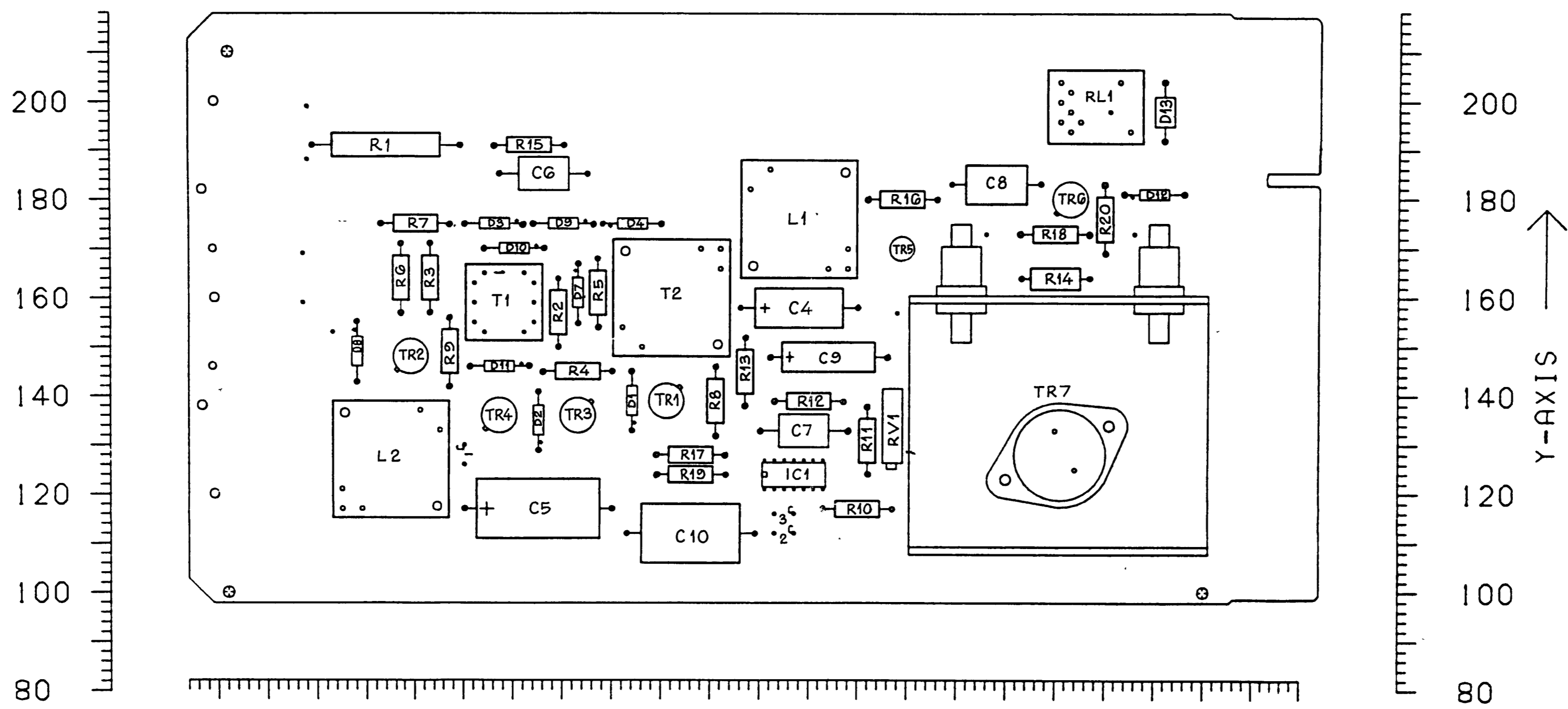
SEE SHEET FOR FRONT PANEL FIXING AND WIRING

DIRECTIVE 68 VIEW A

A 2787	PREVIOUSLY SK 8311
A 10503 BHP 2787	
ISS DATE	DEL CKD APP ORDER
CHANGE	
DRN LITHO	CKD <i>su</i> ORIGIN SENU
TCD -	APPD - STANDARD
TELECOM CORPORATION OF NEW ZEALAND LTD DISTRICT MANAGER, NEW PLYMOUTH	
 SHT 4	SIZE A2
NU 4271	

CALL DIVERSION EQUIPMENT  
 GEC ASF 30  
 CALL DIVERTOR  
 LAYOUT DIAGRAM

300 280 260 240 220 200 180 160 140 120 100 80



← Z-AXIS

NOTES:-

SEE SHEET FOR FRONT PANEL AND TR7 FIXING AND WIRING

DIRECTIVE 68 VIEW A

A 0.787		PREVIOUSLY SK 8311	
A 11.5.82/01P/24		22.2.78/1	
ISS	DATE	DEL	CKD
		APC	ORDER
CHANGE			

CALL DIVERSION EQUIPMENT		DRN LITHO	CKD <i>su</i>	ORIGIN SSNU
GEC ASF 30		TCD -	APPD <i>8/78</i>	STANDARD
TELECOM CORPORATION OF NEW ZEALAND LTD DISTRICT MANAGER, NEW PLYMOUTH				
		SHT 5		NU 4271
		SIZE A2		

UD 236

1

2

3

4

5

6

A

B

C

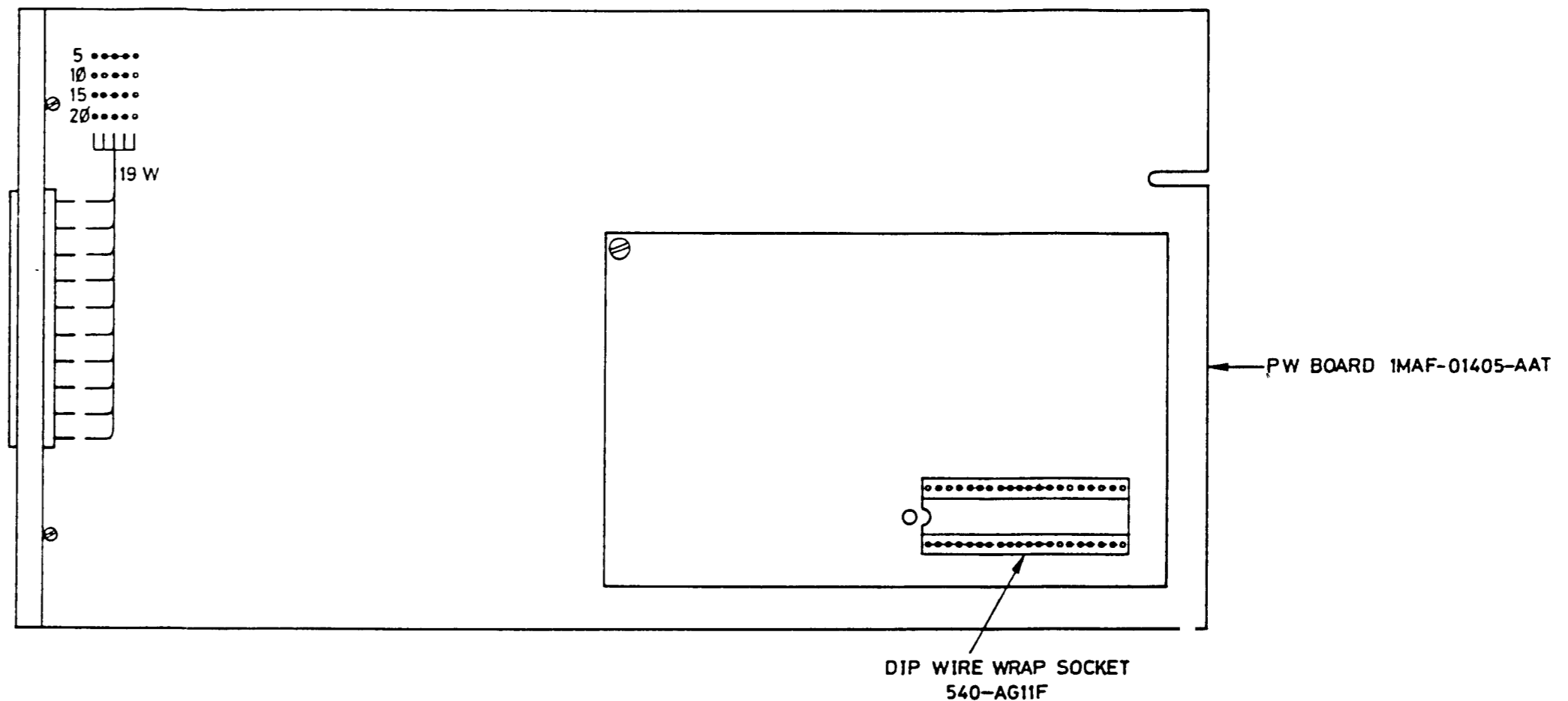
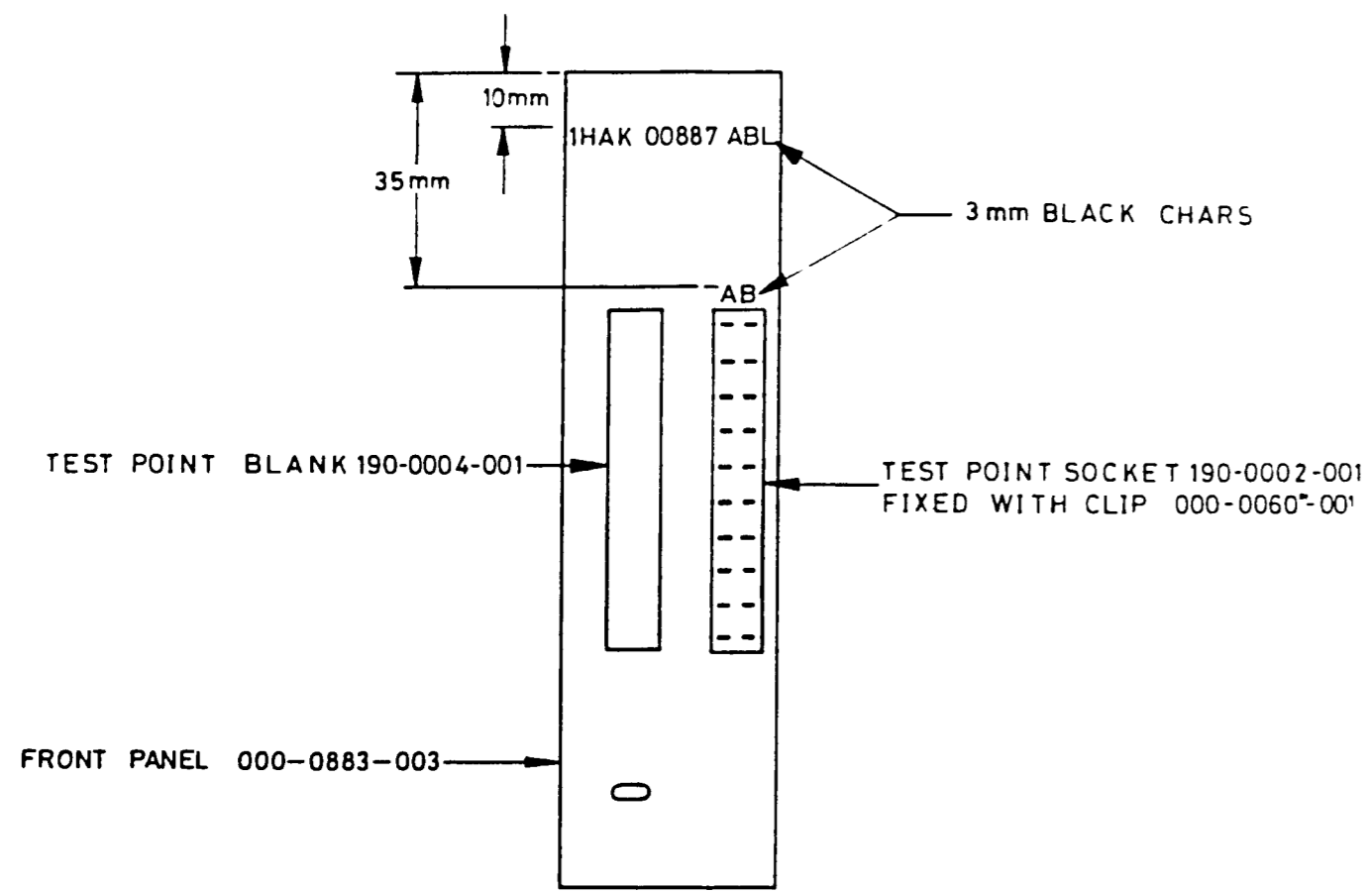
D

A

B

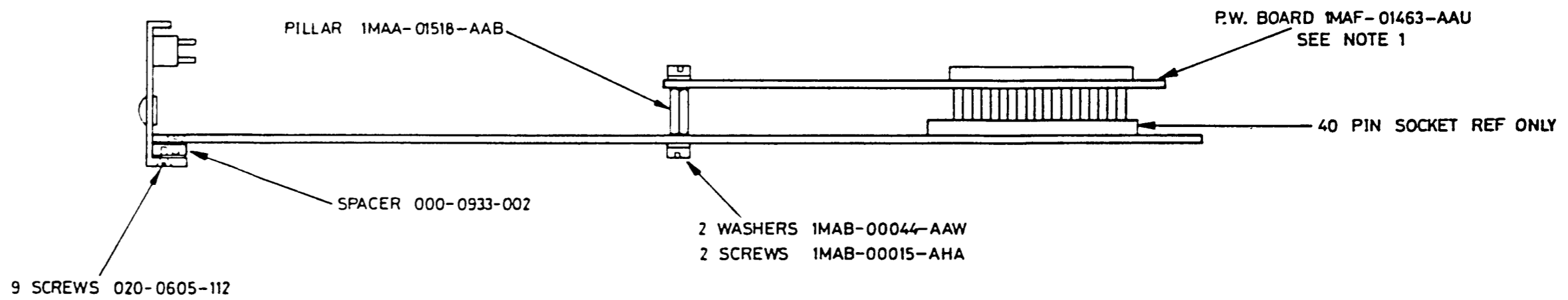
C

D



NOTE: STRAPS ARE 0.4mm GREEN 1WAA-00001-ACA

STRAP (SEE NOTE)	
FROM	TO
AB1	PAD 1
AB2	PAD 2
AB3	PAD 3
AB4	PAD 4
AB5	PAD 5
AB7	PAD 7
AB8	PAD 8
AB9	PAD 9
AB10	PAD10
AB11	PAD11
AB12	PAD12
AB13	PAD13
AB14	PAD14
AB15	PAD15
AB16	PAD16
AB17	PAD17
AB18	PAD18
AB19	PAD19
AB20	PAD20



NOTE  
1 MOUNTING OF 1MAF 01463-AAU WHEN SPECIFIED

UD 236

ISS	DATE	DEL	CKD	APD	ORDER	CHANGE
A	2.7.87					PREVIOUSLY SK 8311
A	11.5.89					

CALL DIVERSION EQUIPMENT  
GEC ASF 30  
1HAK 00887 ABL WIRING &  
ASSEMBLY INFORMATION

DRN LITHO	CKD <i>ku</i>	ORIGIN	SSNU
TCD -	APPD <i>ku</i>	STANDARD	
TELECOM CORPORATION OF NEW ZEALAND LTD DISTRICT MANAGER, NEW PLYMOUTH			
	SHT 6	NU 4271	
	SIZE A2		

1

2

3

4

5

6