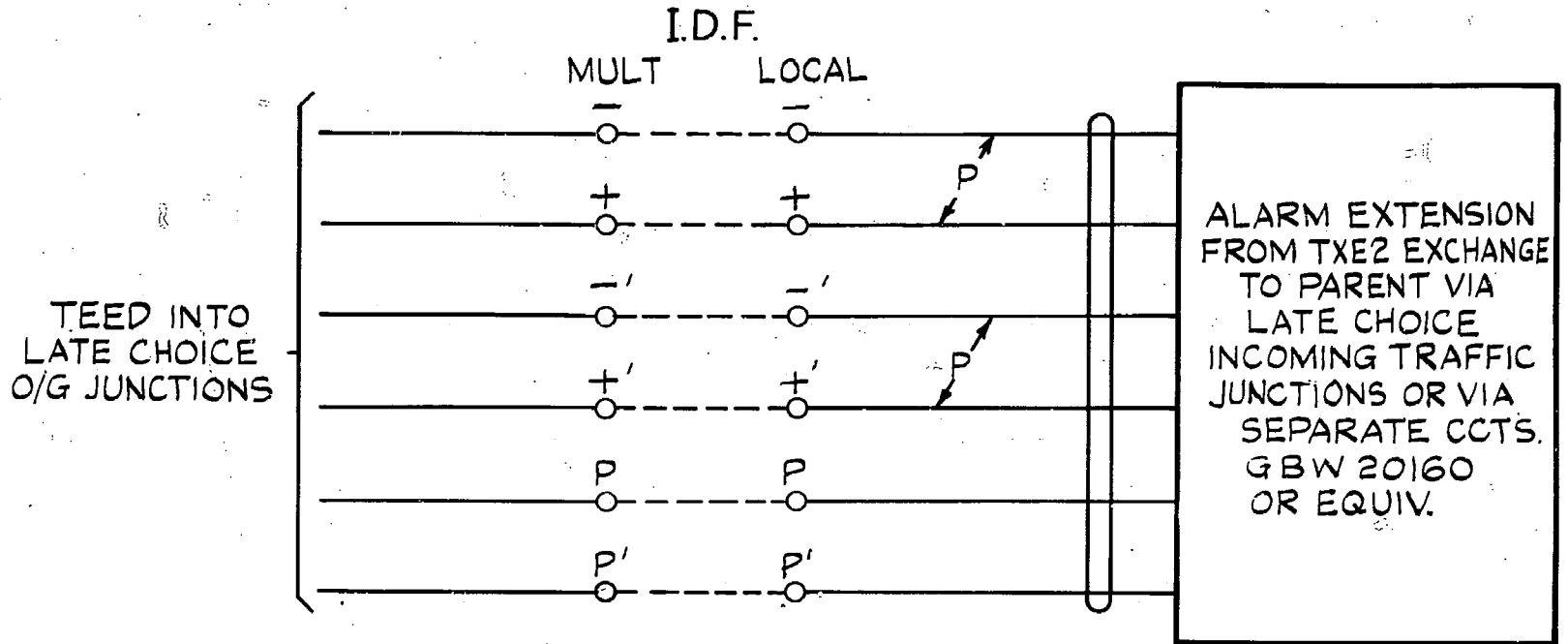


FIG.A.



TYPICAL MARKING ON I.D.F.

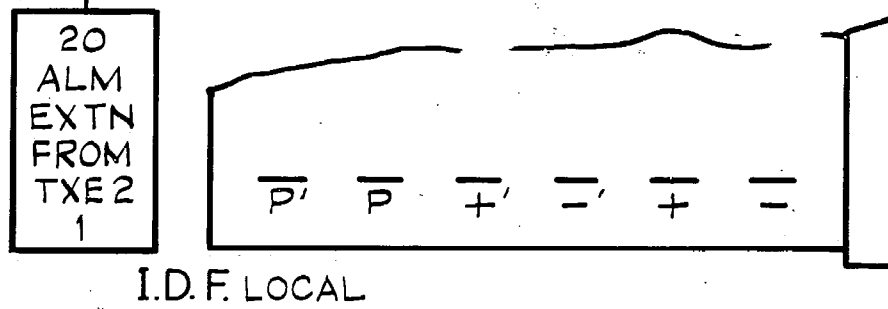
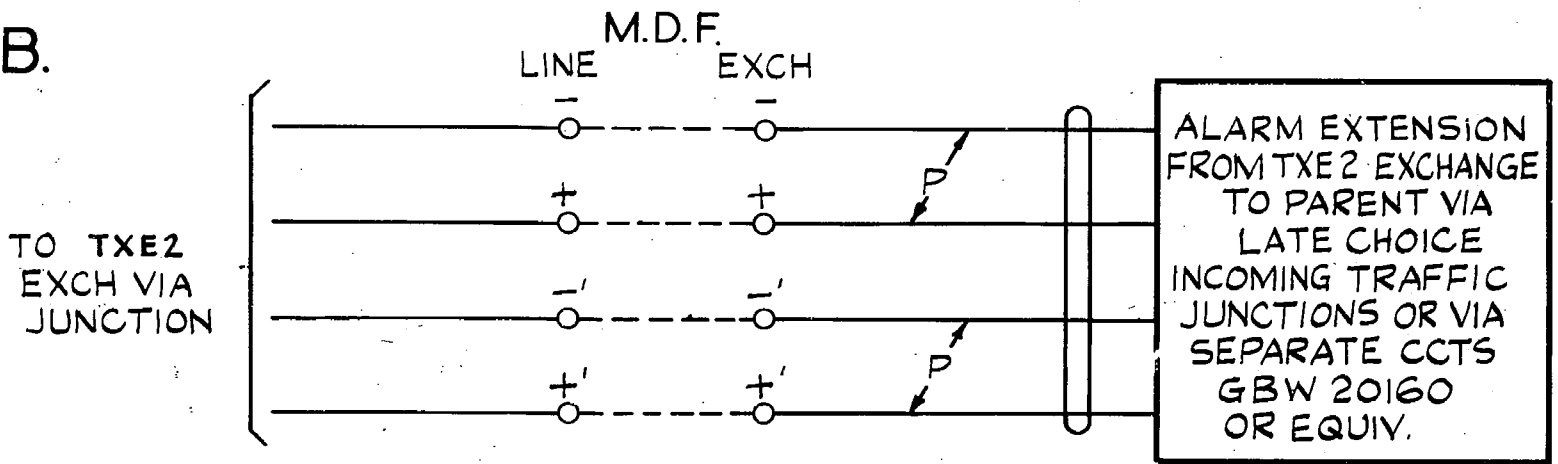
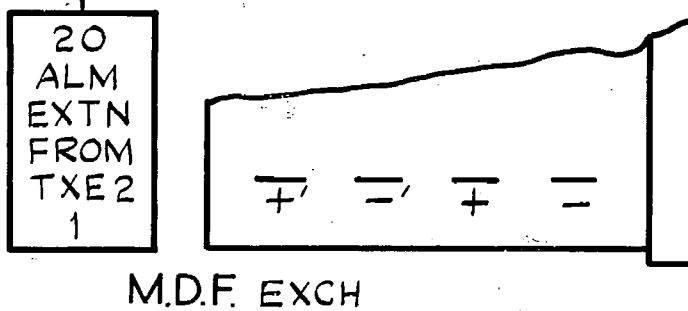


FIG.B.



TYPICAL MARKING ON M.D.F.



REF:	
(34202)	1
ISS	9.11.71
APPD	B.S.H.

A3 A4	DRN	L.H.	APPROVED	ENG
	TR	-		MTH
	CHK	B.P. 25-3-71	DEPT	DRFT
	ENG			N.Z.P.O.
SIZE	S			

AMENDMENT

ALARM EXTENSION FROM TXE2 EXCHANGE TO PARENT VIA LATE CHOICE INCOMING TRAFFIC JUNCTIONS OR VIA SEPARATE CCTS

TOLERANCES (UNLESS OTHERWISE STATED)

THREE PLACE DECIMAL DIMNS

TWO PLACE DECIMAL DIMNS

FRACTIONAL DIMENSIONS

OTHER REQUIREMENTS TO E.S.I.5