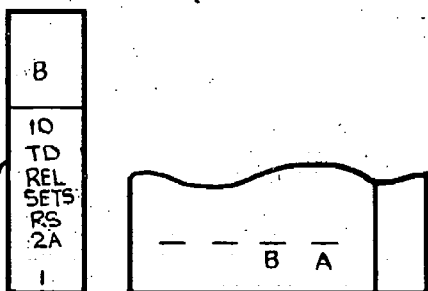
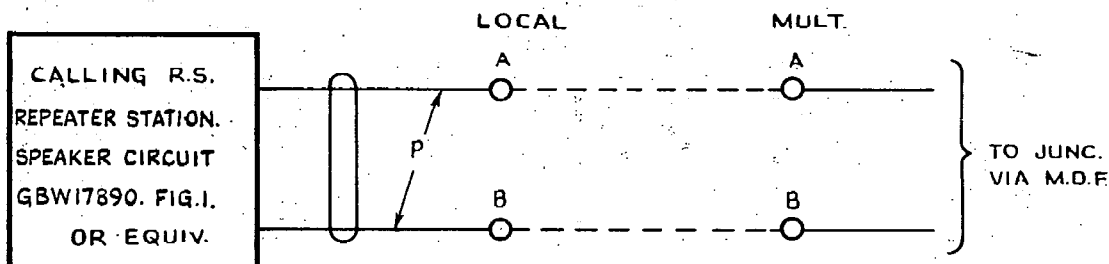
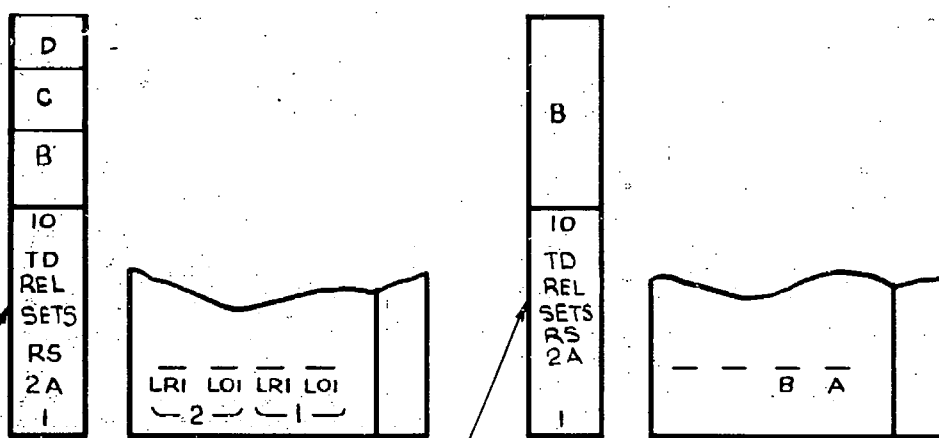
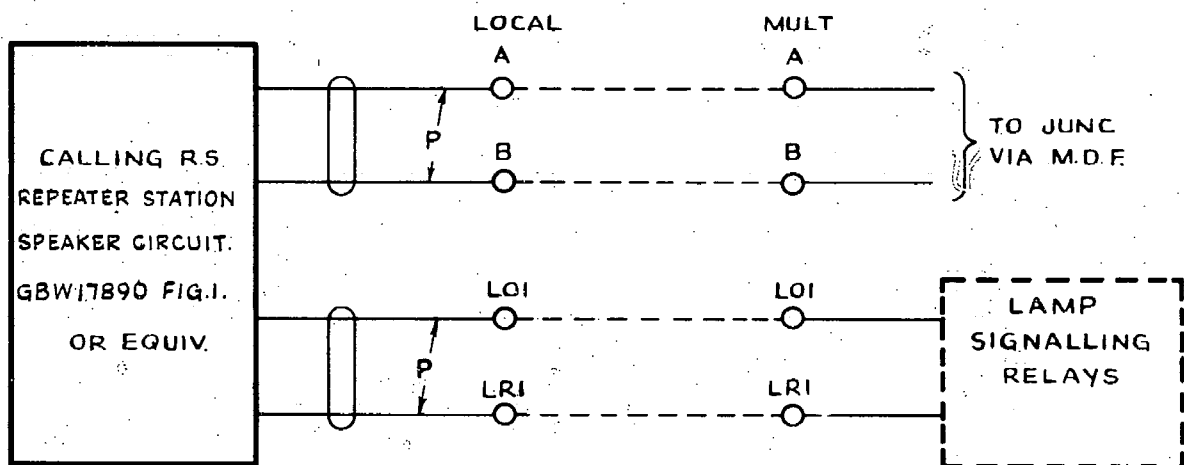


FIG. A WHEN THE NUMBER OF TEST DESK POSITIONS IS FIVE OR LESS
I.D.F.



TYPICAL MARKING ON I.D.F. I.D.F. LOCAL

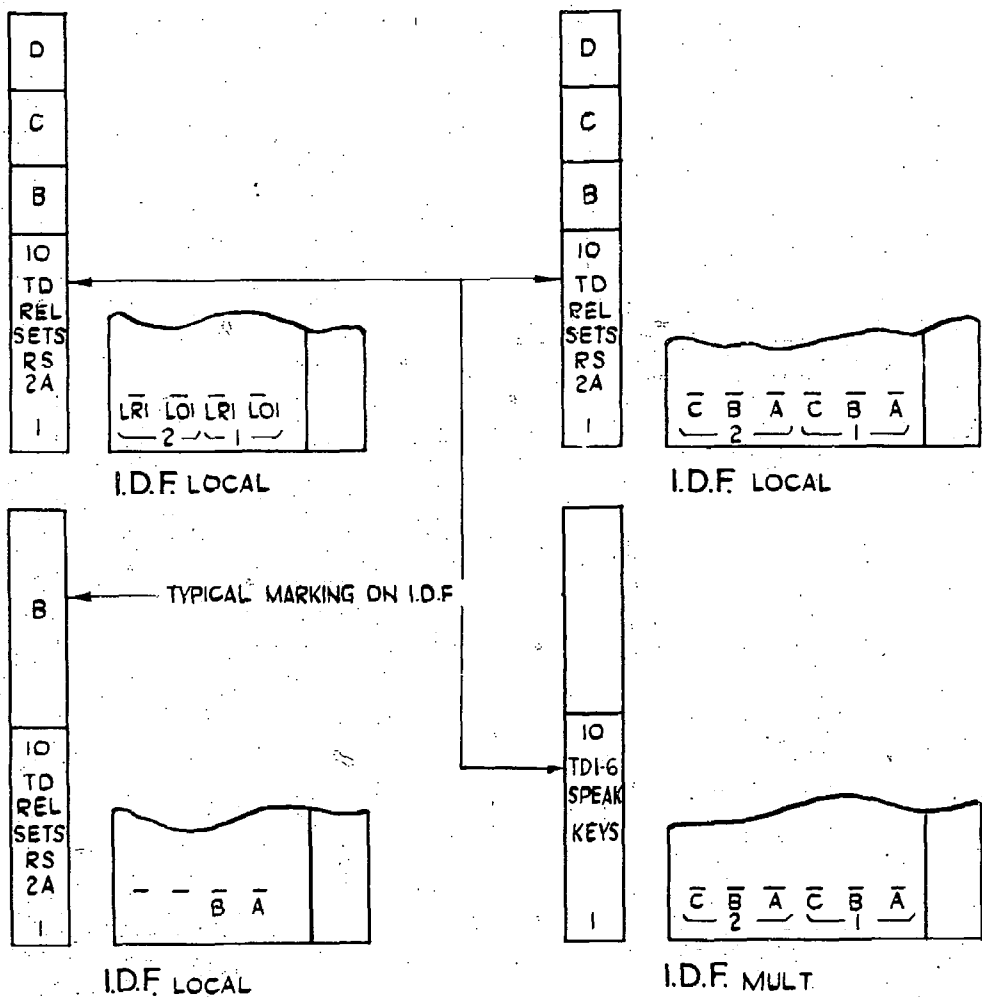
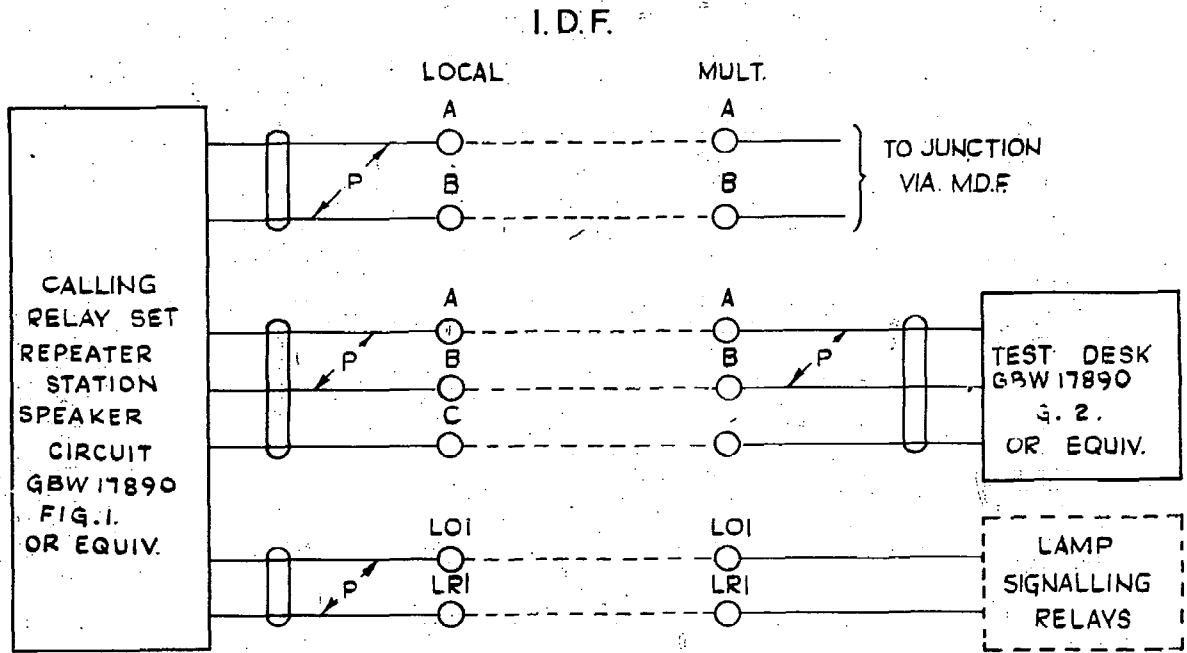
FIG. B WHEN THE NUMBER OF TEST DESK POSITIONS EXCEEDS FIVE
I.D.F.



I.D.F. LOCAL
TYPICAL MARKING ON I.D.F.

				AUTOMATIC TELEX SYSTEM CALLING RELAY SET REPEATER STATION SPEAKER CCT. TERMINATED ON THE TEST DESK 2000 TYPE		
(86681)				11	8.4.68	<i>Am</i>
AMENDMENT PARTICULARS			ISSUE	DATE	APP'D	E
N.Z.P.O.		DRAWN	CHECKED	WIRING	CIRCUIT	GBX. 17890
						SHEET 1-2

FIG. C WHEN THE NUMBER OF TEST DESK POSITIONS EXCEEDS FIVE AND THE CIRCUITS ARE ROUTED VIA THE I.D.F.



**AUTOMATIC TELEX SYSTEM
CALLING RELAY SET
REPEATER STATION SPEAKER CCT
TERMINATED ON THE TEST DESK
2000 TYPE.**

(86681) 1 8:4:68 *Amr*
AMENDMENT PARTICULARS ISSUE DATE APPD

NZ PO DRAWN CHECKED WIRING CIRCUIT

GBX 17890