

FIG. A WHEN THE NUMBER OF TEST DESK POSITIONS IS FIVE OR LESS

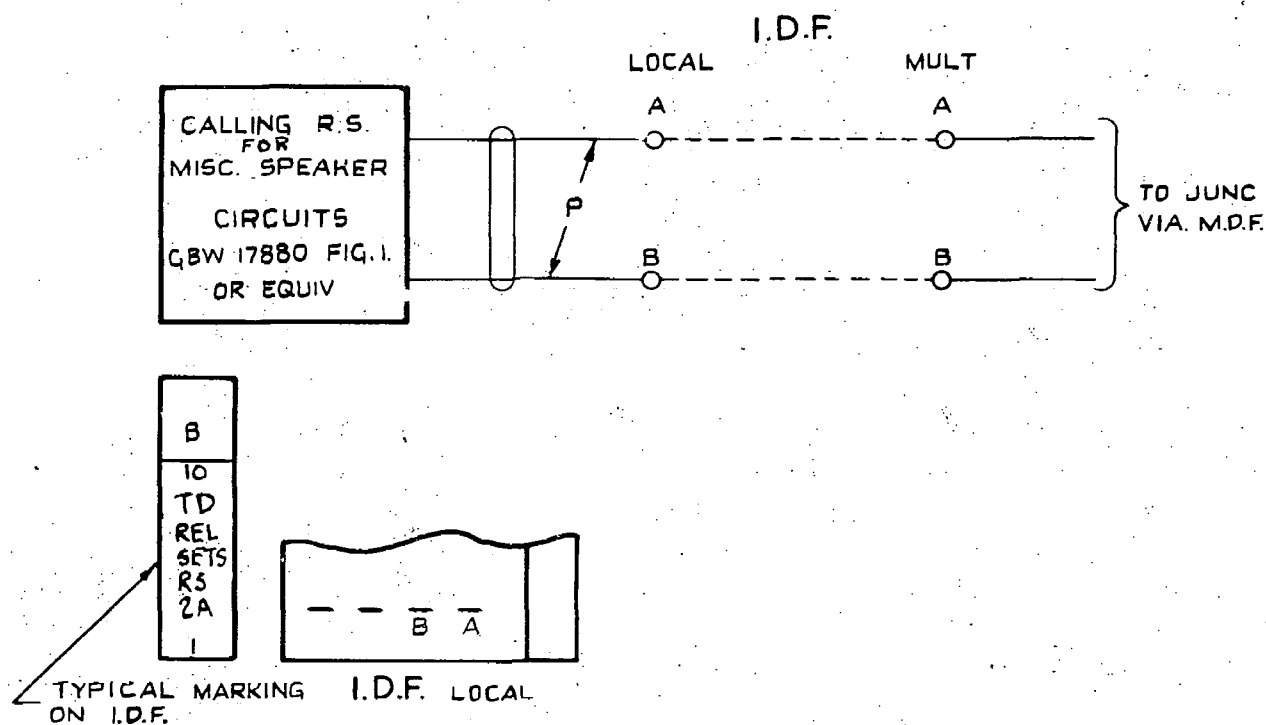
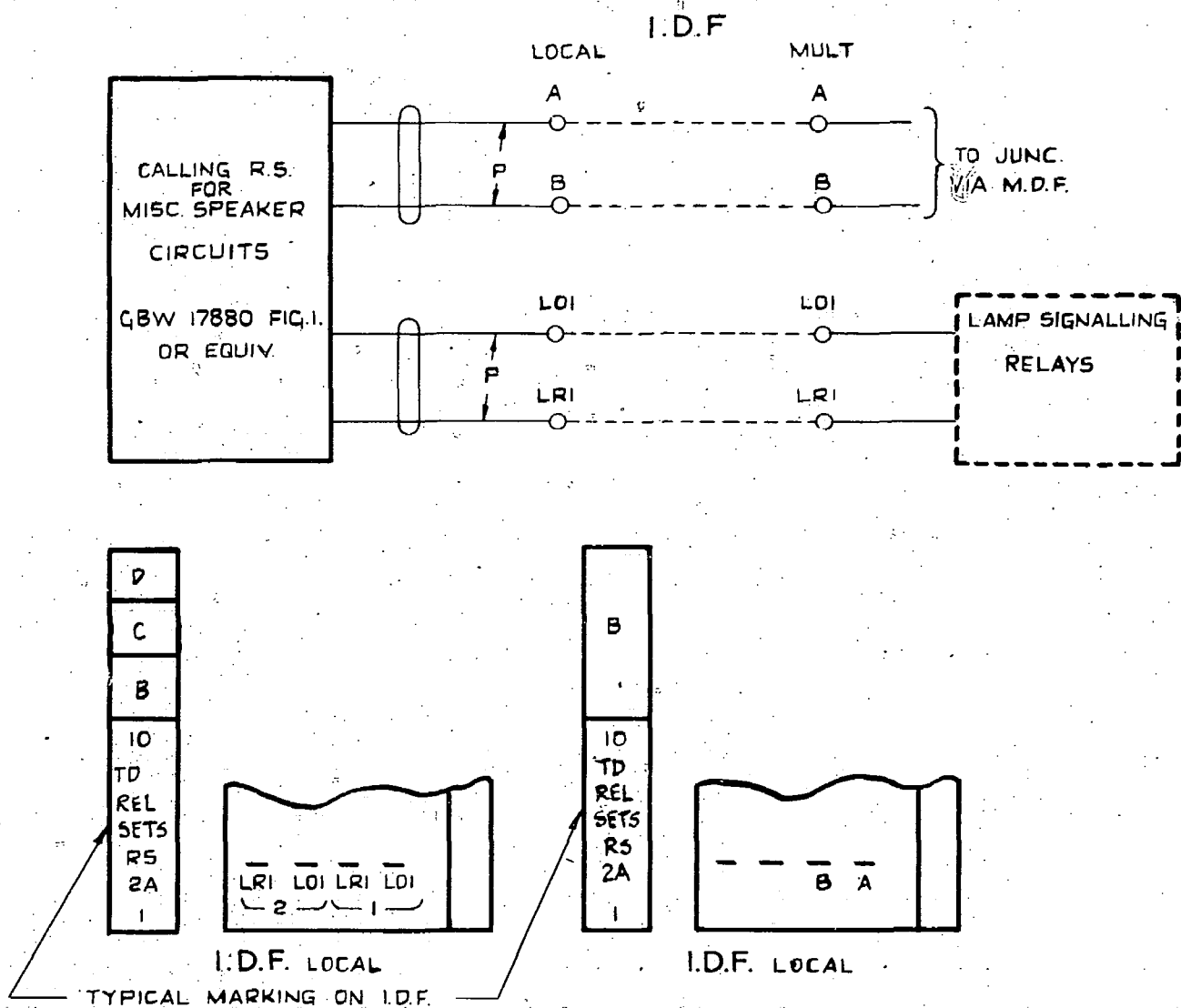


FIG. B WHEN THE NUMBER OF TEST DESK POSITIONS EXCEEDS FIVE



AUTOMATIC TELEX SYSTEM
CALLING RELAY SET
FOR MISC SPEAKER CIRCUITS
TERMINATED ON THE TEST DESK
2000 TYPE

(36681) 1 B.4.68 *Am*

AMENDMENT PARTICULARS ISSUE DATE APPD

E

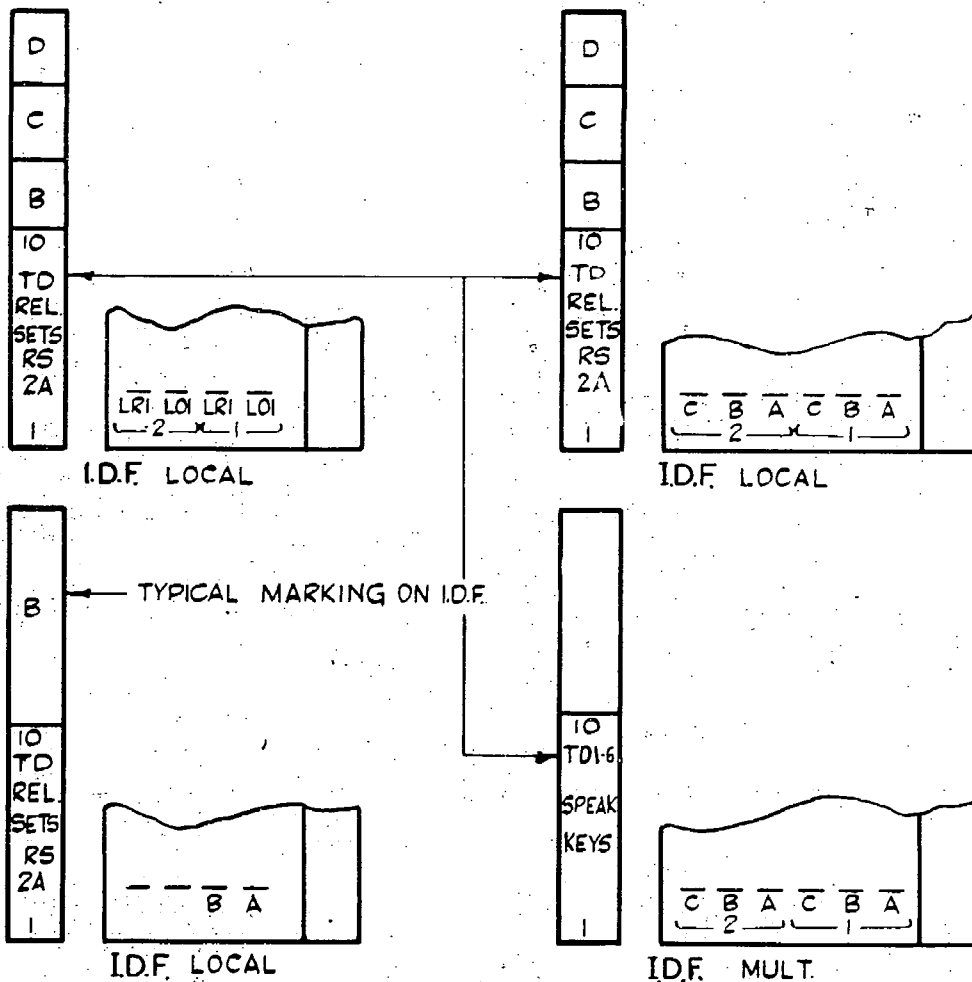
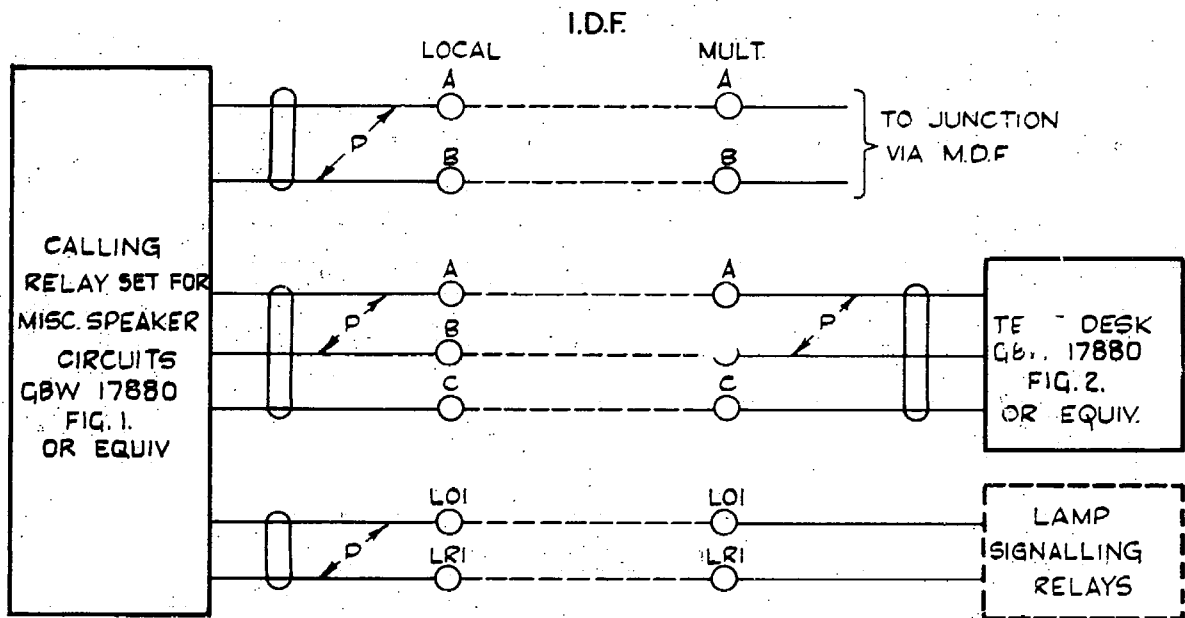
GBX 17880

N.Z.P.O.

DRAWN CHECKED WIRING CIRCUIT

SHEET 1-2

FIG. C WHEN THE NUMBER OF TEST DESK POSITIONS EXCEEDS FIVE AND THE CIRCUITS ARE ROUTED VIA THE I.D.F.



AUTOMATIC TELEX SYSTEM CALLING RELAY SET FOR MISC SPEAKER CIRCUITS TERMINATED ON THE TEST DESK 2000 TYPE				
(86681)		1	8:4 68	<i>Am</i>
AMENDMENT PARTICULARS	ISSUE	DATE	APP.	E
NZPO	DRAWN	CHECKED	WIRING	CIRCUIT
GBX 17880				SHEET 2-2.